



**AF210790**  
**200 series visor hood**  
**Stainless steel frame**  
**Width 35 3/8" (120 cm)**  
**Air extraction / recirculation**

Unobtrusive hood design thanks to integrated glass panel in the steam screen  
 Especially quiet operation thanks to integrated sound insulation  
 Steam screen extends by a touch of the frame  
 Especially high air output  
 Dimmable, warm white LED light for ideal illumination of the entire cooktop  
 A patented lowering frame accessory allows the visor hood to completely disappear behind the upper cabinet  
 Air extraction or recirculation system  
 Recirculation kit with activated charcoal filters: quiet and highly efficient recirculation solution with odor reduction as in air extraction mode, and long replacement intervals

**Output**  
 500 CFM.  
 Odor reduction recirculation 95%.

**Features**  
 Controls at front.  
 Three electronically controlled power levels and an intensive mode.  
 Grease filter saturation indication by flashing light  
 Stainless steel grease filter, dishwasher-safe.  
 Neutral white LED light (3600 K), continuously dimmable.  
 Lamp output 2 x 10 W.  
 Illuminance 708 lx.  
 Light can be switched on separately.  
 Integrated sound insulation for quiet operation.  
 The blower is activated when the steam screen is extended.  
 Patented technology for extension of the steam screen.  
 Steam screen extends out up to 7 13/16".  
 Airflow-optimised interior for efficient air circulation and ease of cleaning.  
 Patented easy mounting system for simple installation.  
 The package includes an one-way flap.

**Planning notes**  
 Patented air recirculation module with activated charcoal filter can be installed in the upper cabinet. The activated carbon filter can be exchanged by simply pulling out the filter drawer. The door of the upper cabinet must be fully accessible in order to change the activated charcoal filter.  
 To be installed in an upper cabinet without base.  
 The required cavity depth of the upper cabinet together with the lowering frame measures 13 3/4".  
 The required cavity height of the upper cabinet together with the lowering frame measures 23 5/8".  
 Minimum clearance above gas cooktops 28".  
 Minimum clearance above electric cooktops 18".

**Rating**  
 Total rating: 430 W.  
 Total amps: 10 A.  
 120 V / 60 Hz.  
 Connecting cable 35,4" with plug.

**Product Features**  
**Operating Mode**  
 Convertable: Ducted / Recirculating  
**Number of speed settings**  
 3-stage  
**Delay Shut off modes**  
 3/5/10  
**Silence level (dBA)**  
**Required accessories**  
**Optional accessories**  
 AA210110, AA210812  
**Number of lights**  
 2  
**Type of lamps used**  
 LED  
**Total power of the lamps (W)**  
 10  
**Grease filter material**  
 Washable stainless steel  
**Grease filter type**  
 Multilayer cassette  
**Clean filter reminders**

**Consumption and connection features**  
**UPC code**  
 825225918660  
**Material**  
 Stainless steel  
**Watts (W)**  
 430  
**Current (A)**  
 10  
**Volts (V)**  
 120  
**Frequency (Hz)**  
 60  
**Approval certificates**  
 intertek  
**Power Cord Length**  
 35,4  
**Plug type**  
 120V-3 prong  
**Overall appliance dimensions (HxWxD) (in)**  
 14 7/8" / 14 7/8" x 35 3/8" x 12 5/8"  
**Product packaging dimensions (HxWxD) (in)**  
 15.55 x 37.00 x 18.89  
**Height of the chimney (in)**  
**Vertical rise height**  
**Required distance above cooktop/ranges**  
 17/26  
**Net weight (lbs)**  
 40  
**Gross weight (lbs)**  
 46  
**Adjustable feet**  
**Motor location**  
 Integrated motor in hood body  
**Maximum CFM**  
**Diameter of air duct (in) top**  
**Diameter of air duct (in) back**  
**Discharge direction**  
 vertical  
**No-return airflow flap**  
 Yes

**2016-08-08**  
 Page 1

**Color Variants**

**AF210790**  
 Stainless steel frame  
 Width 35 3/8" (120 cm)

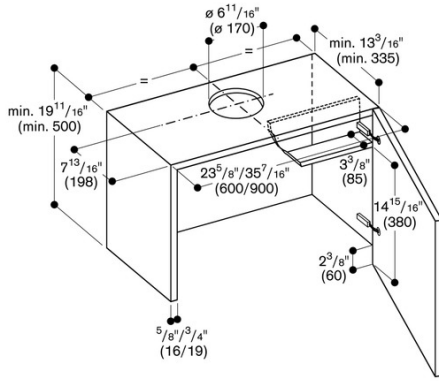
**Optional accessories**

**AA210110**  
 1 activated charcoal filter with high efficient odor reduction due to increased surface. For air recirculation module AA 210 812.  
**AA210812**  
 Patented air recirculation kit including 1 activated charcoal filter with high efficient odor reduction

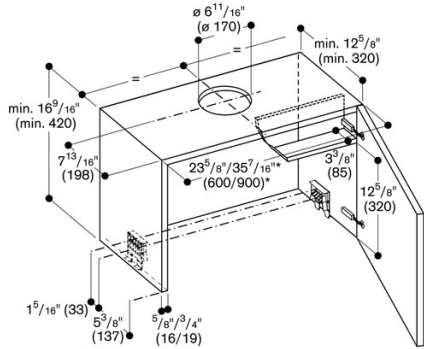
**Installation Accessories**

**AA210490**  
 Lowering frame for 36" visor hood  
**AA210491**  
 Mounting set for 36" upper cabinet

Top cabinet for AF 210  
 with lowering frame AA 210 460/AA 210 490

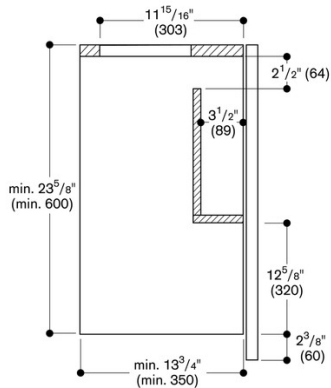


Top cabinet for AF 210

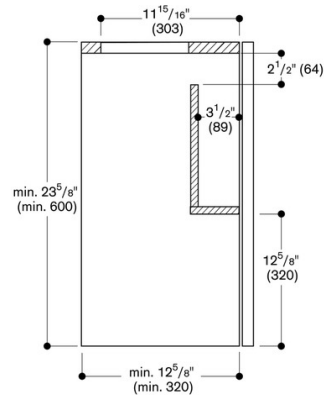


\* for a 35 7/16" (90 cm) top cabinet the installation set AA 210 491 is also required

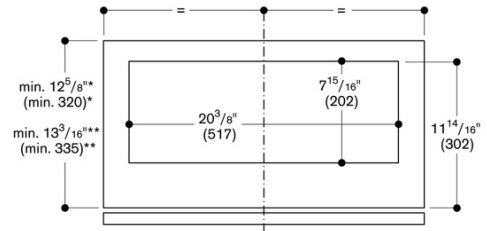
Cross-section top cabinet with AA 210 812 and lowering frame AA 210 490/460



Cross-section top cabinet with AA 210 812

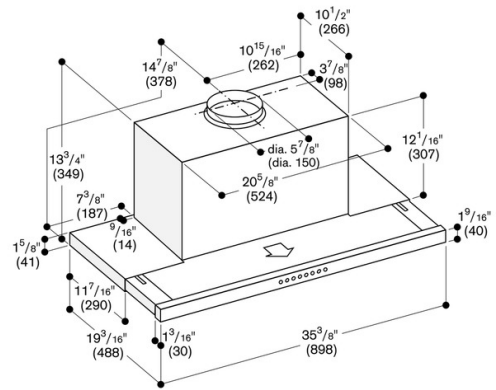


Top view of top cabinet with AA 211 812



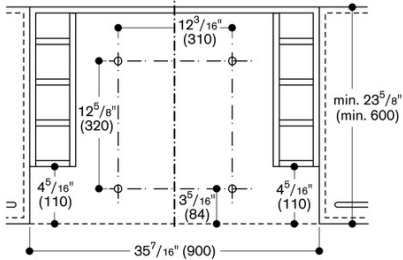
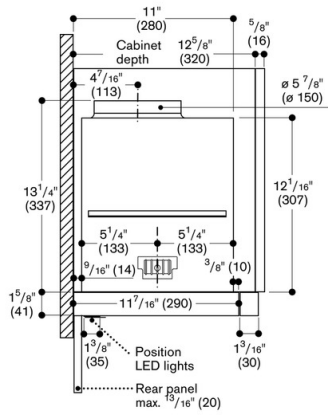
\* only appliance

\*\* Appliance with lowering frame AA 210 490/460



AF210790  
 200 series visor hood  
 Stainless steel frame  
 Width 35 3/8" (120 cm)  
 Air extraction / recirculation

2016-08-08  
 Page 3



Furniture with lateral shelves  
 Install directly on the kitchen wall