



Color Variants

RW414764

Fully integrated, with glass door

Niche width 45.7 cm, Niche height 213.4 cm

Included accessories

1 x connection set.

Optional accessories

RA430000

Screw hole cover set. 8 pieces.

RA491161

Fully extendable bottle trays with hidden telescopic rails in oak wood and solid aluminium in anthracite

RA492160

Removable shelf with oak wood frame

RA493060

Presenter in oak wood and aluminium in anthracite for single bottle display

Installation Accessories

RA420010

Door lock for RW 414, RW 464 and RW 466.

RA421116

Stainless steel door panel frame with handle

RA421117

Stainless steel door panel frame with handle

RA423140

Side trims, long.

RA425110

Handle bar, stainless steel, long

RA428116

Stainless steel door panel frame, handleless

RA460012

Connecting element for vertically split appliance fronts (for a flush front).

RA464111

Ventilation grille stainless steel

RW414764

Vario wine climate cabinet 400 series

Fully integrated, with glass door

Niche width 45.7 cm, Niche height 213.4 cm

2 independently controllable climate zones

Consistent temperatures with exact control from +5 °C to +20 °C

Humidity control

Stainless steel interior

Fully extendable bottle trays in oak wood and solid aluminium in anthracite

Bottle trays with hidden telescopic rails

Warm white and glare-free LED light spots

5 preset lighting scenarios, selectable via TFT display

Opening assist for door with two options:

1. Push-to-open function for integration into handleless furniture front

2. Pull-to-open function to facilitate opening the door using a handle

Low-vibration operation

TFT touch display

Number of standard wine bottles: 70

Energy Star qualified

Handling

TFT touch display operation.

Clear text display.

Technical Features

Dynamic cold air distribution.

Automatic defrosting with defrost water evaporation.

Cushioned door closing system.

Activated charcoal air filter.

UV-protection.

Rest mode certified by Star-K.

When rest mode is active, the appliance can only be opened using a handle.

Open-door and malfunction alarm.

Home network integration for digital services (Home Connect) wireless via WiFi.

The use of the Home Connect functionality depends on the Home Connect services, which are not available in every country. For further information please check: home-connect.com.

Features

Capacity 70 bottles (based on 0.75 l standard bottles).

12 bottle trays,

- 10 fully extendable trays

- 3 suitable for storage of Magnum bottles.

Flexible interior configuration possible by adding or removing fully extendable bottle trays.

Storage of up to 6 Magnum bottles with standard tray configuration (12 bottle trays).

Space for max. 13 bottle trays.

2 brilliant LED light spots with warm white, glare-free light in each climate zone.

5 different lighting scenarios can be selected for individual wine presentation.

Net volume 274 litres.

Consumption data

Energy consumption 210 kWh /year.

Noise level 43 dB (re 1 pW).

Planning notes

Flat hinge.

Door hinge right, reversible.

Door opening angle of 115°, fixable at 90°.

Max. door panel weight 76 kg.

Characteristics

Built-in / Free-standing

Built-in

Door panel options

Not possible

Height

2125

Width of the appliance

451

Depth of the product

608

Required niche size for installation (HxWxD)

2134.0 x 457.0 x 610

Net weight

132.000

Connection rating

350

Fuse protection

10

Voltage

110-120

Frequency

60

Approval certificates

CSA

Length electrical supply cord

300

Plug type

120V-3 prong

Energy consumption (kWh/d) winecooler

0.57

Energy consumption per Year winecooler

209.9

Total unit gross capacity

274

Number of compressors

1

Number of independent cooling systems

1

Interior ventilator

Yes

Reversible Door Hinge

Yes

Interior light switch

No

Number of temperature zones

Range of temperature (°C)

5-20

Economy setting

Yes

Carbon Air Filter

No

Presenter Lighting

Yes

Presenter Shelf

Yes

Type of Glass Door

2 glass panels

Number of adjustable shelves

0

Number of shelves

10

Bottles per Shelf

4

Material of the shelves

Stainless steel

Type of Light

Interior ventilator

Yes

Brand

Gaggenau

Product name / Commercial code

RW414764

Product category

Energy efficiency rating

Energy consumption annual - NEW (2010/30/EC)

Refrigerator Net capacity - NEW (2010/30/EC)

Freezer Net capacity - NEW (2010/30/EC)

Frost free system

Freezing capacity) - NEW (2010/30/EC)

Capacity in 0.75l (bordeaux bottles)

70

Climate class

SN-T

Noise level

43

The mains socket needs to be planned outside the built-in niche.

No transport/operation above 2000 m sea level.

Connection

Total connected load 0.350 KW.

Total Amps: 10 A.

Connecting cable 3.0 m, pluggable.

GAGGENAU

RW414764

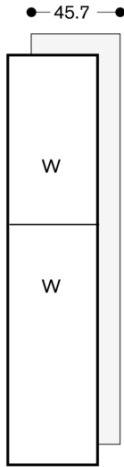
Vario wine climate cabinet 400 series

Fully integrated, with glass door

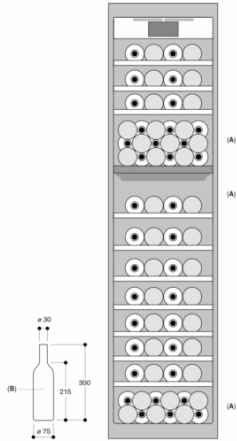
Niche width 45.7 cm, Niche height 213.4 cm

2021-10-28

Page 2

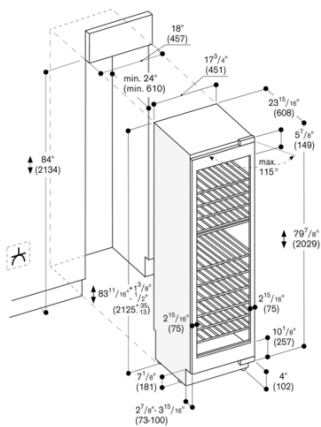


Bottle storage



A: Suitable area for storage of magnum bottles in standard tray configuration
B: 0.75 lines

Measurements in mm



The maximum door front dimensions are based on a clearance of (30mm).