



400 series wine storage unit
RW 414/RW 464

- Two individual temperature zones, both continuously variable
- Consistent temperatures, adjustable from 41°F to 64°F
- Humidity control
- Stainless steel interior
- Fully extendable bottle trays in beech and aluminum
- Presentation light option
- Low-vibration operation
- Capacity 99 bottles (24"); 70 bottles (18")
- Star-K certified

Operation

Electronic precision temperature control with digital temperature display.

Technical features

Dynamic cool air distribution with Multi-Flow Air System.
 Automatic defrosting with defrost water evaporation.
 Activated charcoal air filter.
 UV-protection.
 Energy-saving vacation mode.
 Open-door and malfunction warning system.

Features

Net volume 9.7 cu.ft. (18"), 13.9 cu.ft. (24")
 Capacity 99 bottles (24"); 70 bottles (18") (based on standard bottles).
 10 fully extendable bottle trays, up to four can store magnum bottles.
 Space for max. 13 bottle trays or aluminum shelves
 Interior lighting with 2 ceiling spots in the upper and 1 ceiling spot in the lower climate zone, can be used as display light.

Planning notes

Flat hinge.
 Door hinge right, reversible.
 Door opening angle of 115°, optional 90° door stop.
 Max. door panel weight 37 lbs. (18"); 50 lbs. (24").
 Custom front panel must not completely cover glass door front.
 Requires custom toe kick.

For details, please refer to the refrigeration planning guide on pages 195–211.

Consumption data

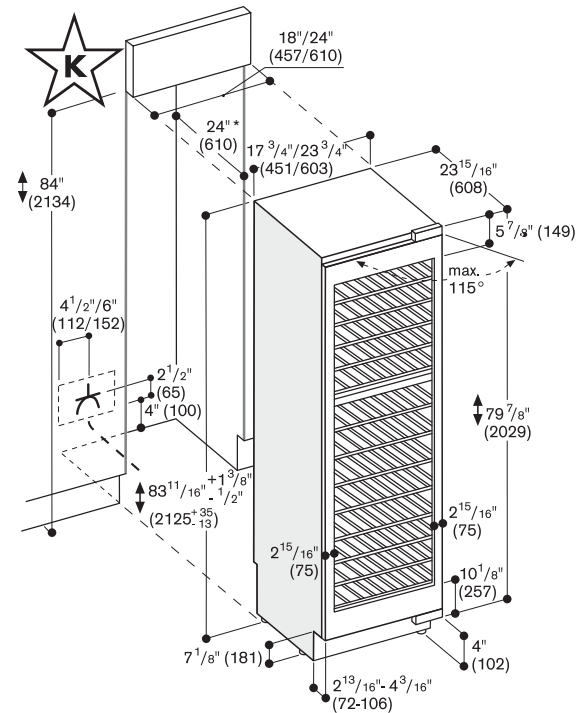
Energy consumption 1.090/1.153 kWh/24 h.; annually: 398/421 kWh.
 Noise level 43 dBA.

Rating

Total rating 0.092 kW (18")/ 0.102 kW (24").
 Total Amps: 15 A.
 120 V / 60 Hz
 Connecting cable 78 3/4" with plug

Optional accessories

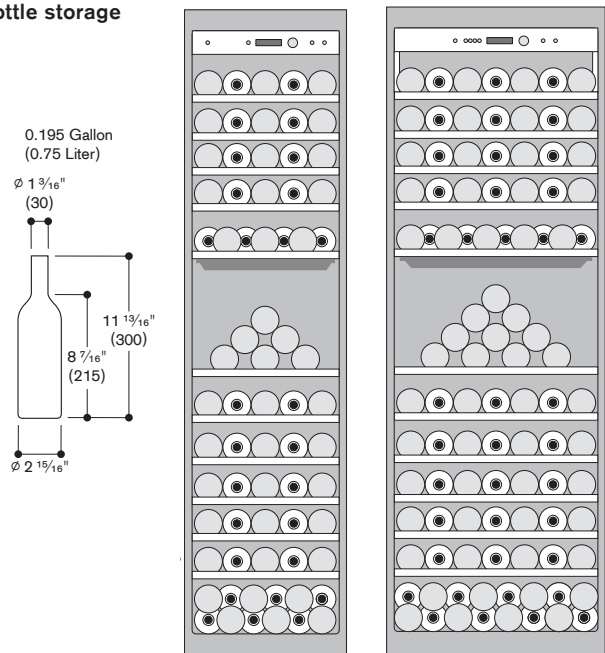
- RA 491 131**
 Fully extendable tray in beech with aluminum profiles for RW 414.
- RA 491 631**
 Fully extendable tray in beech with aluminum profiles for RW 464.
- RA 093 130**
 Special aluminum trays for single bottle display (set of 3 for three bottles) for RW 414.
- RA 093 630**
 Special aluminum trays for single bottle display (set of 3 for three bottles) for RW 464.
- RA 492 130**
 Fully extendable shelf for RW 414.
- RA 492 630**
 Fully extendable shelf for RW 464.



The door face dimensions are designed for a maximum gap of 1/8" (3 mm).

* For a flush-mounted appearance, the minimum cut-out depth must be 25". See more details on pages 198 and 205.

Bottle storage



Numbers indicated inside parenthesis () = mm

RW 414 761

Fully integrated
 With two temperature zones
 Width 18"

RW 464 761

Fully integrated
 With two temperature zones
 Width 24"

Required installation accessories

RA 460 010

Heating kit if columns are not attached (in separate niches) and less than 6" apart.

Installation accessories

RA 421 111

Stainless steel door frame with handle for RW 414, left-hinged.

RA 421 112

Stainless steel door frame with handle for RW 414, right-hinged.

RA 421 611

Stainless steel door frame with handle for RW 464, left-hinged.

RA 421 612

Stainless steel door frame with handle for RW 464, right-hinged.

RA 425 110

Long stainless steel handle, length 44 1/2", with three brackets, drilling distance between each mount 21 13/16".

RA 460 000

Installation kit for side-by-side installation (for connecting any two columns) Side-by-side kit comes already attached to all RF freezers and RW wine units.

RA 461 112

Ventilation grill
 Stainless steel for RW 414, right-hinged.

RA 461 113

Ventilation grill
 Stainless steel for RW 414, left-hinged.

RA 461 612

Ventilation grill
 Stainless steel for RW 464, right-hinged.

RA 461 613

Ventilation grill
 Stainless steel for RW 464, left-hinged.

RA 420 010

Mechanical door lock
 (Includes a special drill kit).