



RW 404 761

Under-counter wine storage unit with stainless steel-framed glass door
Width 23 5/8" (60cm)

Optional accessories

RA 050 220

Replacement activated charcoal air filter for upper and lower temperature zone.

RA 097 600

Accessory for side-by-side installation of two under-counter wine climate cabinets.

400 series 24" under-counter wine storage unit RW 404

- Two individual temperature zones, both continuously variable
- Consistent temperatures with exact control from 41°F to 64°F
- Extendable bottle trays in beech and aluminum
- LED lighting
- Cushioned door closing system allowing a soft and controlled door closure
- Door lock
- Number of standard wine bottles: 34
- Side-by-side installation possible with special accessory

Operation

Electronic temperature control with digital display.
Touch keys.
Dimmable presentation light option in each climate zone.
Interior lighting with automatic dimming with opening and closing of door.

Technical features

Dynamic cool air distribution.
Humidity control.
Cushioned door closing system integrated in door hinge.
Automatic defrosting with defrost water evaporation.
One activated charcoal air filter.
UV-protection.
Open-door and malfunction warning system.
Energy-saving vacation mode.

Features

Net volume of 3.3 cu.ft.
34-bottle capacity.
Five bottle trays, three of which are extendable.
Storage of magnum bottles possible.
LED lighting.

Planning notes

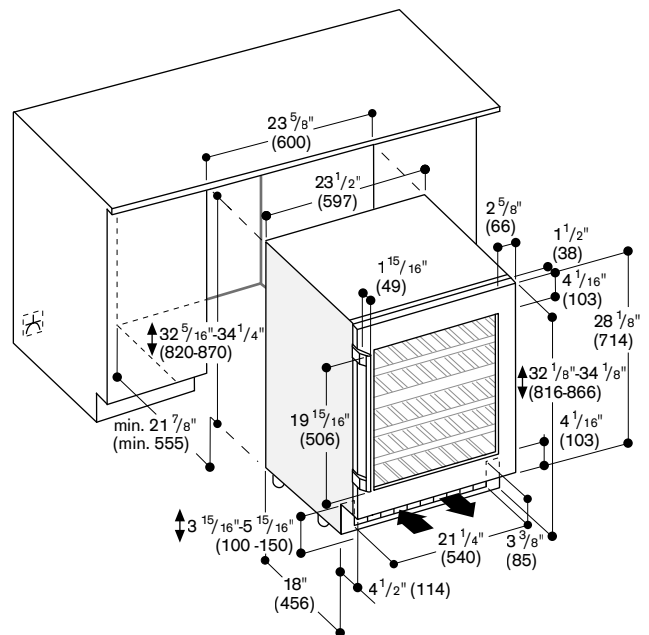
Toe kick not included. Custom toe kick required.
Flat hinge.
Door hinge right, reversible.
Height-adjustable feet.
Door opens to 95° and can be fixed.
For integration next to a side wall, a clearance of 5 7/8" hinge side is required.
Plan a power outlet outside of the cut-out.
No transport/operation above 4,920 ft (1500 m) sea level.

Consumption data

Energy consumption
144 kWh/year.
Noise level 3835 dB(A) re 1 pW.

Rating

Total rating: 200 W/24h.
Total amps: 10 A.
120 V / 60 Hz.
Connecting cable 71" with plug.



Bottle storage

