



Color Variants

RF463707
Niche width 61 cm, Niche height 213.4 cm

Included accessories

1 x connection set.

Installation Accessories

RA422611
Stainless steel door panel with handle
RA423140
RA425110
Handle bar, stainless steel, long
RA428811
RA460012
RA460020
Connecting element for vertically split appliance fronts (for a flush front)
RA464618
Ventilation grille stainless steel

RF463707

Vario freezer 400 series

Niche width 61 cm, Niche height 213.4 cm



Stainless steel interior with solid anthracite aluminium elements
Warm white and glare-free LED light spots

Opening assist for door with two options:

1. Push-to-open function for integration into handleless furniture front
 2. Pull-to-open function to facilitate opening the door using a handle
- The drawers in the RC and RF models are positioned at the same height.
With side-by-side installation, the glass shelves and door racks can be aligned on the same level

Flat stainless steel inner door, full-length
Integrated ice maker with fixed inlet water connection
Proximity sensor for ice and water dispenser
Illuminated dispenser for ice cubes, crushed ice and chilled water
TFT touch display
Net volume 318 litres
Energy star qualified

Handling

TFT touch display operation.
Clear text display.
Touch key operation for ice and water dispenser.

Technical Features

Dynamic cold air distribution.
Automatic defrosting with defrost water evaporation.
Cushioned door closing system.
Rest mode certified by Star-K.
When rest mode is active, the appliance can only be opened using a handle.
Open-door and malfunction alarm.
Home network integration for digital services (Home Connect) wireless via WiFi.
The use of the Home Connect functionality depends on the Home Connect services, which are not available in every country. For further information please check: home-connect.com.

Freezing

No-frost technology with fast freezing at -30 °C.
Temperature adjustable from -16 °C to -24 °C.
4-star freezer compartment.
Freezing capacity 8.7 kg/24 h.
4 safety glass shelves, white glass, 2 of which are individually height adjustable.
2 fully extendable drawers with transparent front.

Ice and water dispenser

Warm white LED lighting.
Proximity sensor for automatic activation of light and touch keys for ice and water dispenser.
Integrated, with fixed inlet water connection.
Particle filter for water inlet, integrated in ventilation grille area.
Can be switched off.
Ice cube production approx. 1.1 kg/24 h.
Ice cubes and crushed ice.
Removable ice storage container with approx. 3.2 kg capacity.
Ice water supply approx. 1.3 litres.

Product Features

UPC code
825225961161
Variant color
Not applicable
Panel ready
Installation Type
N/A
Silence level
42
Watts
350
Fuse protection
10
Volts
110-120
Frequency
60
Energy consumption
454.0
Energy Star® qualified
Yes
Approval certificates
CSA
Power cord length (in)
118,1"
Plug type
120V-3 prong
Appliance dimensions (h x w x d) inch
83 3/4 " x 23 3/4 " x 24"
Required cutout size (HxWxD) (in)
84" x 24" x 24 3/4"
Appliance Width (in)
23 3/4 "
Height (in)
83 3/4 "
Depth (in)
24"
Product packaging dimensions (HxWxD)
84.25 x 27.36 x 29.92
Total unit gross capacity - AHAM
11.2
Net weight
334.000
Gross weight
367.000

Consumption and connection features

2022-04-15
Page 1

Consumption data

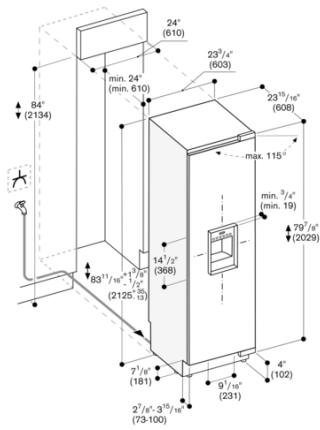
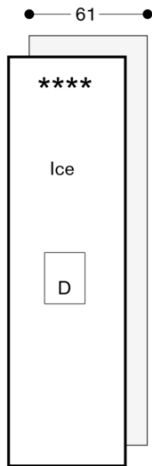
Energy consumption 454 kWh/year.
Noise level 42 dB (re 1 pW).

Planning notes

Flat hinge.
Door opening angle of 115°, fixable at 90°.
Max. door panel weight 67 kg.
Shut-off valve for water connection must be planned next to the appliance and always be accessible.
If the water pressure exceeds 0.8 MPa (8 bar), connect pressure relief valve between water tap and hose set.

Connection

Total connected load 0.350 KW.
Total Amps: 10 A.
Connecting cable 118" (3.0 m), detachable.
Water inlet.
Supply hose length 1.2 m mit 3/4" connection.
Water pressure 2 to 8 bar.



The maximum door front dimensions are based on a clearance of 3/8 in.