



RF 411 704

fully integrated
Width 18" (45.7 cm)

RF 461 704

fully integrated
Width 24" (61 cm)

RF 471 704

fully integrated
Width 30" (76.2 cm)

RF 491 704

fully integrated
Width 36" (91.4 cm)

Included accessories

- 1 ice cube scoop
- 1 ice storage container, large
- 1 supply hose, 47" (1.2 m) with 7/16" – 24 male connector

Installation accessories

RA 421 115

Stainless steel door panel **with handle**
For 18" (45.7 cm) wide appliances,
Panel thickness 3/4".

RA 421 615

Stainless steel door panel **with handle**
For 24" (61 cm) wide appliances, panel
thickness 3/4".

RA 421 713

Stainless steel door panel **with handle**
For 30" (76.2 cm) wide appliances,
panel thickness 3/4".

RA 421 914

Stainless steel door panel **with handle**
For 36" (91.4 cm) wide appliances,
panel thickness 3/4".

RA 423 140

Side trims, long.

RA 425 110

Long stainless steel handle, length
44 1/2", with three brackets, drilling
distance between each mount 21 13/16".

RA 428 115

Stainless steel door panel, **handleless**
For 18" (45.7 cm) wide appliances,
panel thickness 3/4".

RA 428 615

Stainless steel door panel, **handleless**
For 24" (61 cm) wide appliances, panel
thickness 3/4".

RA 428 713

Stainless steel door panel, **handleless**
For 30" (76.2 cm) wide appliances,
panel thickness 3/4".

400 series freezer column

RF 411/RF 461/RF 471/RF 491

- Stainless steel interior with solid anthracite aluminum elements
- Warm white and glare-free LED light spots
- Net volume (18") 8.6 cu.ft., (24") 12.2 cu.ft., (30") 15.8 cu.ft., (36") 19.4 cu.ft.
- Opening assist for door with two options:
 1. Push-to-open function for integration into handleless furniture front
 2. Pull-to-open function to facilitate opening the door using a handle
- The drawers in the RC and RF models are positioned at the same height. With side-by-side installation, the glass shelves and door racks can be aligned on the same level
- Material and aesthetics of interior as for RC model
 - Glass shelves
 - Solid anthracite aluminum door racks
- Flat stainless steel inner door, full-length
- Almost invisible rail system for shelves and door racks for flexible positioning
- Integrated ice maker with fixed inlet water connection
- TFT touch display
- ENERGY STAR® certified
- Sabbath mode certified by Star-K

Operation

TFT touch display operation.
Clear text display.

Features

Dynamic cold air distribution.
Automatic defrosting with defrost water evaporation.
Sabbath mode certified by Star-K. When sabbath mode is active, the appliance can only be opened using a handle.
Open-door and malfunction alarm.
Home network integration for digital services (Home Connect) wireless via WiFi.
For further information please check: home-connect.com.

Freezing

No-frost technology with fast freezing at -22°F (-30°C).
Temperature adjustable from 3°F to -11°F (-16°C to -24°C).
4 safety glass shelves, white glass, 3 of which are individually adjustable in height.
2 fully extendable drawers with transparent front.
4 brilliant LED light spots with warm white, glare-free light within cooling area and drawers.
Flat door rail system with fully flexible positioning of door racks.
4 height-adjustable door racks.
Net volume 8.6/12.2/15.8/19.4 cu.ft.

Ice maker

Integrated in the freezer compartment, with fixed inlet water connection.
Particle filter for water inlet, integrated in ventilation grill area.
Can be switched off.

RA 428 914

Stainless steel door panel, **handleless**
For 36" (91.4 cm) wide appliances,
panel thickness 3/4".

RA 460 013

Additional side heating element 110 V. Required if appliances are installed handle to hinge or hinge to hinge. Not required if appliances are installed less than 6" apart from each other.

RA 460 020

Connecting element for vertically split appliance fronts (for a flush front).

RA 464 112

Ventilation grill stainless steel
For 18" (45.7 cm) wide appliances with filter.

RA 464 612

Ventilation grill stainless steel
For 24" (61 cm) wide appliances, with integrated water filter.

RA 464 712

Ventilation grill stainless steel
For 30" (76.2 cm) wide appliances, with integrated water filter.

RA 464 911

Ventilation grill stainless steel
For 36" (91.4 cm) wide appliances.

Optional accessories

RA 450 000

Mechanical particle filter.

RA 450 010

Activated charcoal filter for water filter system including saturation indicator.

Ice cube production approx. 3.1 lbs. (1.4 kg)/24 h.
Removable ice storage container with approx. 5.5 lbs. (2.5kg) capacity.

Consumption data

Energy consumption
(18") 418, (24") 443, (30") 493, (36") 543 kWh/year.

Noise level 42 dBA.

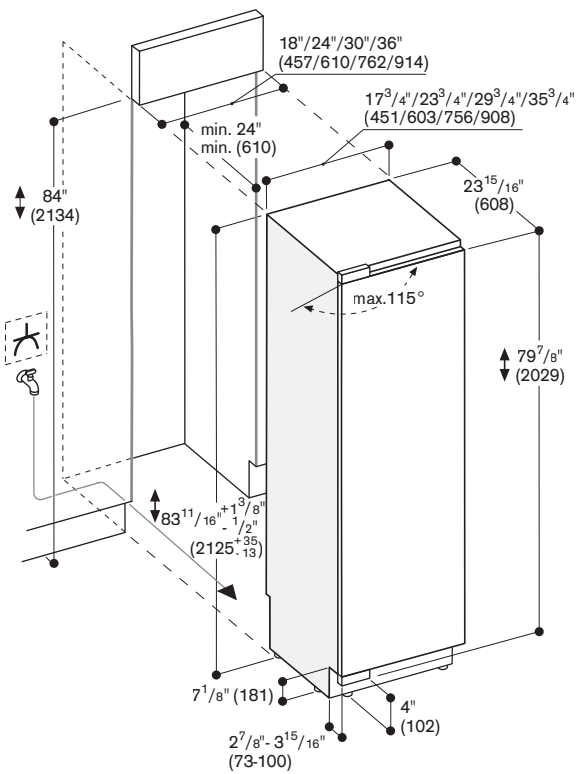
Planning notes

Flat hinge.
Door hinge right, reversible.
Door opening angle of 115°, fixable at 90°.
For installation with a door opening angle of 90° the ice storage container must be exchanged for the small ice storage container (RA 448 220). This must be done prior to fixing the door.
Max. door panel weight 55/90/130/95 lbs. (25/41/59/43) kg
Shut-off valve for water connection must be planned next to the appliance and always be accessible.
If the water pressure exceeds 116 psi, connect pressure relief valve between water tap and hose set.

Rating

Total rating: (18") 1.145, (24") 1.214, (30") 1.350, (36") 1.487 kW/24h.
Total Amps: 15 A.
120 V / 60 Hz
Connecting cable 118" (3m) detachable.
Water inlet.
Supply hose 47" (1.2 m) with 7/16" – 24 male connector.
Water pressure 29 to 116 psi.





The door face dimensions are designed for a maximum gap of $\frac{1}{8}''$ (3 mm).
 * For a flush-mounted appearance, the minimum cut-out depth must be 25".
 See more details on pages 223 and 225.