



#### RC 462 701

Fully integrated  
Width 24"

#### RC 472 701

Fully integrated  
Width 30"

#### Required installation accessories

##### RA 460 000

Installation kit for side-by-side installation (for any two columns). Side-by-side kit comes already attached to all RF freezers and RW wine units.

##### RA 460 010

Heating kit if columns are not attached (in separate niches) and less than 6" apart.

#### Installation accessories

##### RA 421 610

Stainless steel door panel with handle for RC 462  
Panel thickness 3/4".

##### RA 421 710

Stainless steel door panel with handle for RC 472  
Panel thickness 3/4".

##### RA 461 612

Ventilation grill  
Stainless steel, for RC 462  
right-hinged.

##### RA 461 613

Ventilation grill  
Stainless steel, for RC 462  
left-hinged.

##### RA 461 712

Ventilation grill  
Stainless steel, for RC 472  
right-hinged.

##### RA 461 713

Ventilation grill  
Stainless steel, for RC 472  
left-hinged.

##### RA 425 110

Long stainless steel handle, length 44 1/2", with three brackets, drilling distance between each mount 21 13/16".

##### RA 460 020

Connecting element for vertically split appliance fronts (for a flush front).

#### 400 series refrigeration column

##### RC 462/RC 472

- Stainless steel interior
- Generous LED lighting concept
- Solid aluminum door bins
- Net volume (24") 13.1 cu.ft., (30") 17.1 cu.ft.
- Temperature control drawer (32°F to 37°F)
- One motorized glass shelf, height adjustable when fully loaded
- ENERGY STAR® certified
- Star-K certified

#### Operation

Electronic precision temperature control with digital temperature display.

#### Technical features

Dynamic cool air distribution with Multi-Flow Air system.

Automatic defrosting with defrost water evaporation.

Activated charcoal air filter.

Energy-saving vacation mode.

Open-door and malfunction warning system.

#### Cooling compartment

Net volume 13.1/17.1 cu.ft.

No-frost technology with fast cooling. Temperature adjustable from 35°F to 46°F (+2°C to +8°C).

4 safety glass shelves (one is motorized, two are manually adjustable).

2 fully extendable drawers (low and high) with transparent front.

Bright interior lighting with LED sidewall pillars.

3 height adjustable door bins, one of which is a large gallon door bin.

1 door bin with transparent front flap.

#### Temperature controlled drawer

Net volume 2/2.6 cu.ft.

Separate automatic temperature control with settings for fish (32°F), meat (35°F) and produce (37°F).

1 large, fully-extendable deli drawer (just above 32°F) with transparent front and integrated lighting.

#### Planning notes

Flat hinge.

Door hinge right, reversible.

Door opening angle of 115°, optional 90° door stop.

Max. door panel weight 50 lbs. (24"), 64 lbs. (30").

Requires custom toe-kick.

For details, please refer to the refrigeration planning guide on pages 195–211.

#### Consumption data

Energy consumption 0.775/0.849 kWh/24 h.; annually: 283/310 kWh. Noise level 39 dBA.

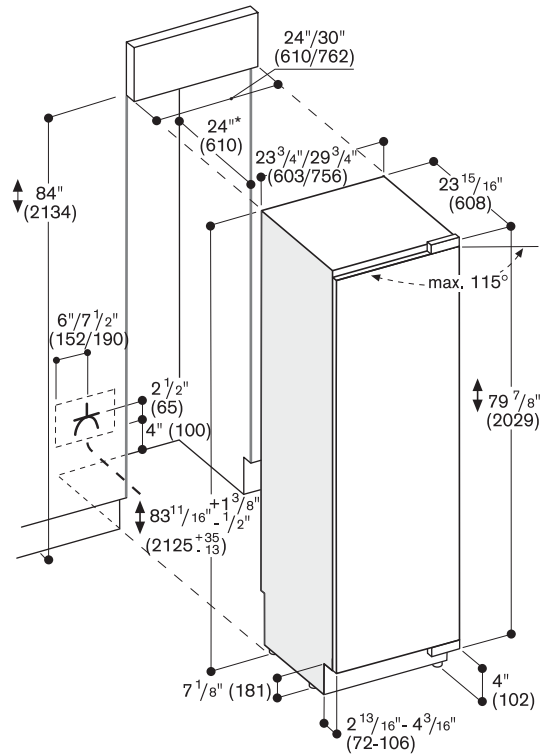
#### Rating

Total rating 0.180 kW.

Total Amps: 15 A.

120 V / 60 Hz

Connecting cable 78 3/4" with plug.



The door face dimensions are designed for a maximum gap of 1/8" (3 mm).  
\* For a flush-mounted appearance, the minimum cut-out depth must be 25".  
See more details on pages 198 and 205.



Numbers indicated  
inside parenthesis ( ) = mm