



VL 414 111

Stainless steel
Ventilation unit
Comes without blower and AA490711 control knob. (order separately)

Required installation accessories

AA 490 711

Vario control knob for use with Vario 400 series downdraft ventilation. Stainless steel
For operation with one of the following 400 series blowers: AR400742 inline / AR401742 remote blower or AR413722 recirculation blower. For more details on the actual control knob, see page 84.

AD 724 042

Transition to 6" round. Required to connect duct to bottom of VL 414 downdraft or when connecting duct to right / left side of VL 414 downdraft (see adjacent drawing).

AD 724 041

Rectangular adapter piece. Must order AD724042 transition to 6" round to vent downwards / left or right and AD724041 when venting to left or right side of VL 414 downdraft. No duct connection pieces are included.

AD 754 048

Transition box with two ø 6" round intakes to one ø 8" round outlet. Used in installation of 2x VL 414 downdraft units to connect with AR413722 recirculation blower.

Installation accessories

In combination of several Vario cooktops or VL 414 downdraft, connecting strips must be used. Choose respective VA 420 strip from one of the below, depending on type of installation.

VA 420 010

Connection strip for combination with other Vario appliances of the 300 series for **surface** mounting **without** appliance cover/filler strip.

VA 420 011

Connection strip for combination with other Vario appliances of the 300 series for **surface** mounting **with** appliance cover/filler strip.

VA 420 000

Connection strip for combination with other Vario appliances of the 400 series for **flush** mounting **without** appliance cover/filler strip.

VA 420 001

Connection strip for combination with other Vario appliances of the 400 series for **flush** mounting **with** appliance cover/filler strip.

VA 450 110

Stainless steel adjustment strip, width 4 5/16". Necessary accessory in a combination of Vario cooktops with at least one appliance cover adjacent to VL 414 downdraft.

Vario 400 series downdraft ventilation VL 414

- Highly efficient ventilation system at cooktop level
- Flexible power distribution, precise extraction of cooking vapors
- Precision crafting of 1/8-inch stainless steel
- For surface-mount installation with a visible edge or for flush installation
- Can be perfectly combined with other Vario 400 series products
- Without blower, can be combined with multiple 400 series AR blowers and one AA 490 control knob
- Minimal planning and easy installation for air recirculation

Output

Maximum air output in combination with 400 series AR inline / remote or recirculation blower. For CFM information, refer to blower overview on pages 180 – 181.
Noise level depends on the built-in situation.

Features

Ventilation channels manually rotate to open air channel.
Closing element made of stainless steel, dishwasher-safe.
Metal grease filter with grease drip tray, dishwasher-safe.
Sensor-controlled operation of the AR blower if at least one VL 414 downdraft unit is open.

Planning notes

Depending on the type of installation – surface- / or flush-mounted, with or without cover – the specific location of the control knob positions may vary. When using the appliance cover VA 440 or adjustment strip VA 450 additional space for cut-out depth needs to be considered.

In a combination of Vario cooktops with at least one appliance cover, the adjustment strip VA 450 is required. In a combination of several Vario 400 series cooktops, connection strips must be used.

Depending on the type of installation – surface- / or flush-mounted, with or without cover – the respective VA 420 connecting strip must be used.

For flush installation the edge height in the cut-out needs to be at least 1/2" and for surface-mount 3/8". Ensure a continuous cut surface of 90°.

The weight capacity and stability, especially in case of thin countertops, must be supported using suitable substructures. Take the appliance weight and additional loads into account.

Flush installation is possible in countertops made of stone, synthetics or solid wood. Heat resistance and watertight sealing of the edges must be observed. For other materials, please consult with your countertop manufacturer.

The groove must be continuous and even, so that uniform placing of the appliance on the gasket is ensured. Do not use discontinuous lining.

AS 070 001

Connection piece as extension required for installation with VK414 steamer or VF414 fryer.

Optional accessories

AA 414 010

Air deflector for combination with gas cooktops.

The joint width may vary due to size tolerances of the combinations and of the countertop cut-out.

Please read additional planning notes on pages 88 – 93.

If installing several Vario products in individual cut-outs allow for a minimum distance of 2" between the cooktops. Air extraction operation in combination with 400 series AR 400/401 remote / inline blowers or recirculation mode with AR 413.

Please refer to pages 148 – 149 for recommended downdraft ventilation configuration with 400 series blowers. Maximum cooktop width between two VL downdraft units is 24".

If used next to gas cooktops, the air deflector AA 414 is recommended to ensure maximum performance of the cooktop.

No duct connection pieces are included, they must be ordered separately. Either AD724042 transition to 6" round duct to connect to bottom / left / right side of VL and AD724041 adapter piece if connecting duct to left or right side of VL downdraft.

When connecting 2x VL downdrafts, 2x transitions to 6" round ducts are required to connect to one of the AR blowers.

Note: when connecting 2x VL downdrafts with AR413722 recirculation blower, transition box AD754048 is required. 2x VL 414 can be combined with one blower and 1 control knob. For added efficiency additional blowers may be added. Multiple blowers can be operated via one AA 490 control knob at the same speed level.

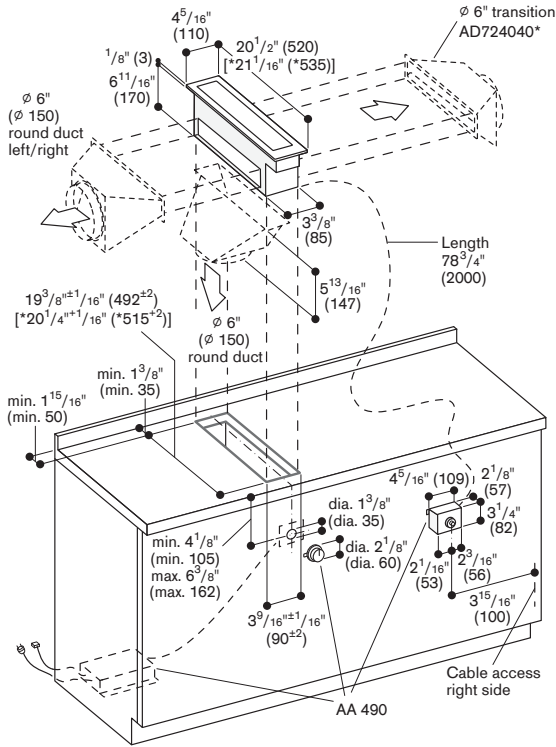
If a higher power requirement is needed for 1x VL 414 downdraft, a second blower can be added. Please ensure when installing the exhaust air ducting that no sharp bendings are caused and that the cross-section of the ducting is not constricted in any way. This can have an impact on the blower performance. Appliance can be snapped into the countertop from above. Additional fixing by clamps that are accessible from the top, clamping range from 1 3/16" to 1 15/16".

Rating

60 Hz

Plan for a 6.6' connection cable between VL 414 downdraft and AA 490 control knob.

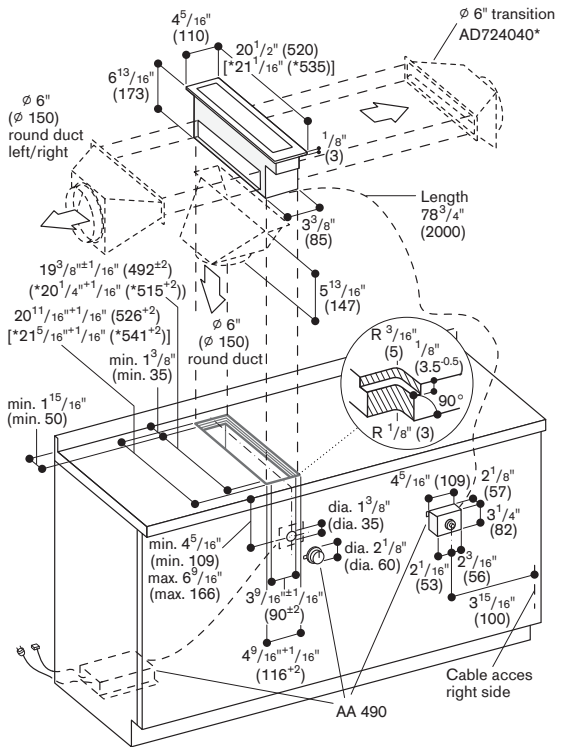
Surface-mount Installation



*With adjustment strip.
 Round duct connection, bottom \varnothing 5" with AD724042
 Round duct connection left/right \varnothing 5" with AD724042 + AD724041

See separate planning notes on page 85 for:
 - positioning of control knob
 - configuration for flexible power distribution.

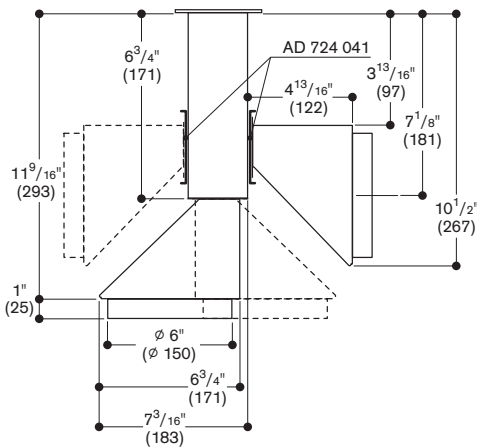
Flush-mount Installation



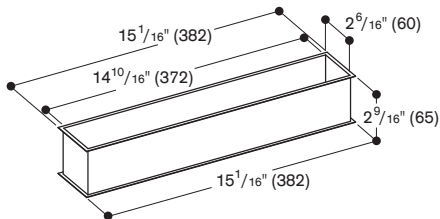
*With adjustment strip.
 Round duct connection, bottom \varnothing 5" with AD724042
 Round duct connection left/right \varnothing 5" with AD724042 + AD724041

See separate planning notes on page 85 for:
 - positioning of control knob
 - configuration for flexible power distribution.

VL 414 with AD 724 042 /041

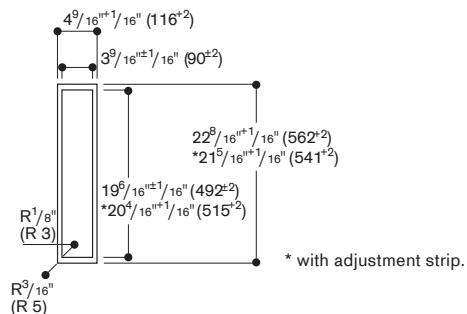


AS 070 001 connection piece for extension

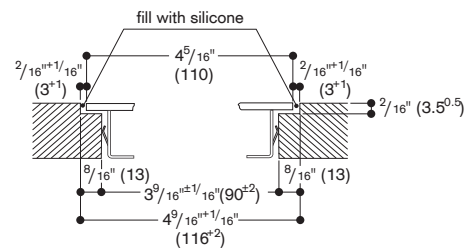


Numbers indicated
 inside parenthesis () = mm

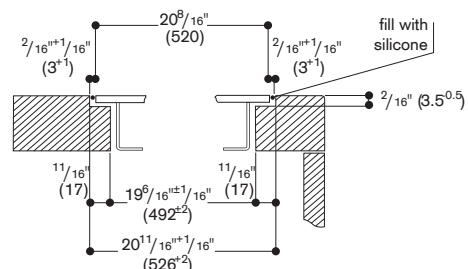
View from above



Longitudinal section



Cross-section



When installing with appliance cover or adjustment strip, pay attention to the deeper cut-out and the front and rear groove width.