

Gaggenau

Use and care manual 2

Notice d'utilisation 23

Manual de instrucciones 46

# **VG 491 211 CA**

Gas cooktop

Table de cuisson gaz

Encimera a gas

---

# Table of Contents

---

|                                                       |           |
|-------------------------------------------------------|-----------|
| <b>▲ Safety Definitions</b>                           | <b>3</b>  |
| <b>IMPORTANT SAFETY INSTRUCTIONS</b>                  | <b>4</b>  |
| Fire Safety                                           | 6         |
| Gas Safety                                            | 7         |
| Burn Prevention                                       | 8         |
| Child Safety                                          | 9         |
| Cleaning Safety                                       | 9         |
| Cookware Safety                                       | 10        |
| Proper Installation and Maintenance                   | 11        |
| Proposition 65 Warning:                               | 11        |
| <b>Causes of Damage</b>                               | <b>12</b> |
| <b>Environmental protection</b>                       | <b>12</b> |
| Saving energy                                         | 12        |
| <b>Getting to know your appliance</b>                 | <b>13</b> |
| Gas cooktop                                           | 13        |
| Control knob                                          | 13        |
| Display on the illuminated ring                       | 14        |
| Special accessories                                   | 14        |
| Individual parts of the burner                        | 14        |
| Individual parts of the wok burner                    | 15        |
| <b>Operating the appliance</b>                        | <b>15</b> |
| Turning on                                            | 16        |
| Simmer setting                                        | 16        |
| Electronic flame monitoring and automatic re-ignition | 16        |
| Turning off                                           | 16        |
| Residual heat display                                 | 16        |
| Safety shut-off                                       | 16        |
| <b>Table of settings and tips</b>                     | <b>17</b> |
| Burner recommendation                                 | 17        |
| Tips for cooking and roasting                         | 17        |
| Tips for using a wok                                  | 17        |
| <b>Notes regarding cookware</b>                       | <b>18</b> |
| Appropriate Cooking Vessels                           | 18        |
| Information for Use                                   | 18        |
| <b>Cleaning and maintenance</b>                       | <b>19</b> |
| Cleaning the appliance                                | 19        |
| Burnt-on dirt                                         | 19        |
| Discoloration of the burners                          | 19        |

|                             |           |
|-----------------------------|-----------|
| <b>Faults – What to Do?</b> | <b>20</b> |
| Demo Mode                   | 21        |
| <b>Customer Service</b>     | <b>22</b> |

Additional information on products, accessories, replacement parts and services can be found at [www.gaggenau.com](http://www.gaggenau.com) and in the online shop [www.gaggenau.com/zz/store](http://www.gaggenau.com/zz/store)

---

**⚠ Safety Definitions**

---

---

**⚠ WARNING**

---

This indicates that death or serious injuries may occur as a result of non-observance of this warning.

---

---

**⚠ CAUTION**

---

This indicates that minor or moderate injuries may occur as a result of non-observance of this warning.

---

---

***NOTICE***

---

This indicates that damage to the appliance or property may occur as a result of non-compliance with this advisory.

---

**Note:** This alerts you to important information and/or tips.



# IMPORTANT SAFETY INSTRUCTIONS

READ AND SAVE THESE INSTRUCTIONS

## **⚠ WARNING:**

If the information in these instructions is not followed exactly, a fire or explosion may result causing property damage, personal injury or death.

- Do not store or use gasoline or other flammable vapors and liquids in the vicinity of this or any other appliance.
- **WHAT TO DO IF YOU SMELL GAS**
  - Do not try to light any appliance.
  - Do not touch any electrical switch.
  - Do not use any phone in your building.
  - Immediately call your gas supplier from a neighbor's phone. Follow the gas supplier's instructions.
  - If you cannot reach your gas supplier, call the fire department.
- Installation and service must be performed by a qualified installer, service agency or the gas supplier.



# **IMPORTANT SAFETY INSTRUCTIONS**

READ AND SAVE THESE INSTRUCTIONS

## **⚠ WARNING:**

**Never Operate the Top Surface Cooking Section of this Appliance Unattended**

- **Failure to follow this warning statement could result in fire, explosion, or burn hazard that could cause property damage, personal injury, or death.**
- **If a fire should occur, keep away from the appliance and immediately call your fire department.**

**DO NOT ATTEMPT TO EXTINGUISH AN OIL/GREASE FIRE WITH WATER.**



# IMPORTANT SAFETY INSTRUCTIONS

READ AND SAVE THESE INSTRUCTIONS

## Fire Safety

Save these instructions.

Set the burner control so that the flame does not extend beyond the bottom of the pan.

Do not allow aluminum foil, plastic, paper or cloth to come in contact with a hot surface element, burner or grate. Do not allow pans to boil dry.

If the cooktop is near a window, forced air vent or fan, be certain that flammable materials such as window coverings do not blow over or near the burners or elements. They could catch on fire.

Always have a working smoke detector near the kitchen.

Never leave the cooktop unattended when in use. Boilovers cause smoking and greasy spillovers may ignite.



---

## WARNING

---

TO REDUCE THE RISK OF A GREASE FIRE:

1. Never leave surface units unattended at high settings. Boilovers cause smoking and greasy spillovers that may ignite. Heat oils slowly on low or medium settings.
  2. Always turn hood ON when cooking at high heat or when flambéing food (i.e. Crepes Suzette, Cherries Jubilee, Peppercorn Beef Flambé).
  3. Clean ventilating fans frequently. Grease should not be allowed to accumulate on fan or filter.
  4. Use proper pan size. Always use cookware appropriate for the size of the surface element.
- 

In the event that personal clothing or hair catches fire, drop and roll immediately to extinguish flames.

Smother flames from food fires other than grease fires with baking soda. Never use water on cooking fires.

Take care that drafts like those from fans or forced air vents do not push the flames so that they extend beyond the edges of the pan.

Have an appropriate fire extinguisher available, nearby, highly visible and easily accessible near the appliance.



# IMPORTANT SAFETY INSTRUCTIONS

READ AND SAVE THESE INSTRUCTIONS



---

## WARNING

---

TO REDUCE THE RISK OF INJURY TO PERSONS IN THE EVENT OF A GREASE FIRE, OBSERVE THE FOLLOWING:

1. **SMOTHER FLAMES** with a close-fitting lid, cookie sheet, or metal tray, then turn off the burner. **BE CAREFUL TO PREVENT BURNS.** If the flames do not go out immediately, **EVACUATE AND CALL THE FIRE DEPARTMENT.**
  2. **NEVER PICK UP A FLAMING PAN** – You may be burned.
  3. **DO NOT USE WATER**, including wet dishcloths or towels – a violent steam explosion will result.
  4. Use an extinguisher **ONLY** if:
    - You know you have a Class ABC extinguisher, and you already know how to operate it.
    - The fire is small and contained in the area where it started.
    - The fire department is being called.
    - You can fight the fire with your back to an exit.
- 

Whenever possible, do not operate the ventilation system during a cooktop fire. However, do not reach through fire to turn it off.

## Gas Safety

To prevent carbon monoxide build-up, do not block appliance air vents.

Have the installer show you where the gas shut-off valve is located.

For proper burner performance, keep igniters clean and dry.

If a burner goes out and gas escapes, open windows and doors. Wait until gas dissipates before using the appliance.

**IMPORTANT SAFETY NOTICE:** Burning gas cooking fuel generates some by-products which are on the list of substances which are known by the State of California to cause cancer or reproductive harm. To minimize exposure to these substances, always operate this unit according to the instructions contained in this booklet and provide good ventilation.



---

## WARNING

---

All igniters spark when any single burner is turned on. Do not touch any of the burners when the cooktop is in use.

---

If you smell gas, your installer has not done a proper job of checking for leaks. If the connections are not perfectly tight, you can have a small leak and, therefore, a faint smell. Finding a gas leak is not a “do-it-yourself” procedure. Some leaks can only be found with the burner control in the ON position and this must be done by a qualified service technician. See Warning,

# **IMPORTANT SAFETY INSTRUCTIONS**

READ AND SAVE THESE INSTRUCTIONS

---

## **WARNING**

To prevent flare-ups all grates must be properly positioned on the cooktop whenever the cooktop is in use. Each of the feet must be placed into the corresponding dimples in the cooktop. Do not use a grate if the rubber feet are missing or damaged.

---

Keep the igniter ports clean for proper lighting performance of the burners. It is necessary to clean these when there is a boilover or when the burner does not light even though the electronic igniters click.

---

## **WARNING**

To prevent flare-ups do not use the cooktop without all burner caps and all burner grates properly positioned.

---

---

## **WARNING**

Do not clean or touch any of the burners when an extra low burner (if equipped) is in use. When the extra low burner automatically reignites the ignitor at the burner will spark.

---

---

## **WARNING**

Use this appliance only for its intended use as described in this manual. NEVER use this appliance as a space heater to heat or warm the room. Doing so may result in carbon monoxide poisoning and overheating the appliance. Never use the appliance for storage.

---

---

## **WARNING**

NEVER cover any slots, holes or passages in the oven bottom or cover an entire rack with materials such as aluminum foil. Doing so blocks air flow through the oven and may cause carbon monoxide poisoning. Aluminum foil linings may also trap heat, causing a fire hazard.

---

## **Burn Prevention**

**DO NOT TOUCH SURFACE UNITS OR AREAS NEAR UNITS** - Surface units may be hot even though they are dark in color. Areas near surface units may become hot enough to cause burns. During and after use, do not touch, or let clothing, potholders, or other flammable materials contact surface units or areas near units until they have had sufficient time to cool. Among these areas are the cooktop and areas facing the cooktop.

Do not heat or warm unopened food containers. Build-up of pressure may cause the container to burst and cause injury.





# IMPORTANT SAFETY INSTRUCTIONS

READ AND SAVE THESE INSTRUCTIONS

Always turn hood ON when cooking at high heat or when flambéing food (i.e. Crêpes Suzette, Cherries Jubilee, Peppercorn Beef Flambé).

Use high heat settings on the cooktop only when necessary. To avoid bubbling and splattering, heat oil slowly, on no more than a low-medium setting. Hot oil is capable of causing extreme burns and injury.

Never move a pan of hot oil, especially a deep fat fryer. Wait until it is cool.

Secure all loose garments, etc., before beginning. Tie long hair so that it does not hang loose, and do not wear loose-fitting clothing or hanging garments, such as ties, scarves, jewelry, or dangling sleeves.

## Child Safety

When children become old enough to use the appliance, it is the responsibility of the parents or legal guardians to ensure that they are instructed in safe practices by qualified persons.

Do not allow anyone to climb, stand, lean, sit, or hang on any part of an appliance, especially a door, warming drawer, or storage drawer. This can damage the appliance, and the unit may tip over, potentially causing severe injury.

Do not allow children to use this appliance unless closely supervised by an adult. Children and pets should not be left alone or unattended in the area where the appliance is in use. They should never be allowed to play in its vicinity, whether or not the appliance is in use.



## CAUTION

Items of interest to children should not be stored in an appliance, in cabinets above an appliance or on the backsplash. Children climbing on an appliance to reach items could be seriously injured.

---

## Cleaning Safety

**IMPORTANT SAFETY NOTICE:** The California Safe Drinking Water and Toxic Enforcement Act requires the Governor of California to publish a list of substances known to the state to cause cancer, birth defects or other reproductive harm, and requires businesses to warn customers of potential exposure to such substances. The burning of gas cooking fuel and the elimination of soil during self-cleaning can generate some by-products which are on the list. To minimize exposure to these substances, always operate this unit according to the instructions contained in this booklet and provide good ventilation.



# IMPORTANT SAFETY INSTRUCTIONS

READ AND SAVE THESE INSTRUCTIONS



---

## WARNING

---

The burning of gas cooking fuel can create small amounts of Carbon Monoxide, Benzene, Formaldehyde and Soot. To minimize exposure to these substances the burners should be adjusted by a certified installer or agency to ensure proper combustion. Ensure proper ventilation with an open window or use a ventilation fan or hood when cooking with gas. Always operate the unit according to the instructions in this manual.

---

Do not block the oven vent(s) during the self-cleaning cycle. Always operate the unit according to the instructions in this manual.

After a spill or boilover, turn off the burner and allow the cooktop to cool. Clean around the burner and burner ports. After cleaning, check for proper operation.

## Cookware Safety

Hold the handle of the pan when stirring or turning food. This helps prevent spills and movement of the pan.

### Use Proper Pan Size.

The use of undersized cookware will expose a portion of the heating element or burner to direct contact and may result in ignition of clothing. Select cookware having flat bottoms large enough to cover the surface heating unit. This appliance is equipped with one or more surface units of different sizes. Proper relationship of cookware to heating element or burner will also improve efficiency.

Always position handles of utensils inward so they do not extend over adjacent work areas, burners, or the edge of the cooktop. This reduces the risk of fires, spills and burns.

Adjust burner flame size so that it does not extend beyond the edge of the cookware. Proper relationship of cookware to burner flame reduces safety risks.

# **IMPORTANT SAFETY INSTRUCTIONS**

READ AND SAVE THESE INSTRUCTIONS

## **Proper Installation and Maintenance**

Have the installer show you the location of the circuit breaker or fuse. Mark it for easy reference.

This appliance must be properly installed and grounded by a qualified technician. Connect only to properly grounded outlet. Refer to Installation Instructions for details.

This appliance is intended for normal family household use only. It is not approved for outdoor use. See the Statement of Limited Product Warranty. If you have any questions, contact the manufacturer.

Do not store or use corrosive chemicals, vapors, flammables or nonfood products in or near this appliance. It is specifically designed for use when heating or cooking food. The use of corrosive chemicals in heating or cleaning will damage the appliance and could result in injury.

---

### **WARNING**

---

Failure to operate knobs properly may result in personal injury and damage to the appliance.

---

This appliance is not intended for operation with an external time switch or external remote control.

Do not operate this appliance if it is not working properly, or if it has been damaged. Contact an authorized service provider.

Do not repair or replace any part of the appliance unless specifically recommended in this manual. Refer all servicing to an authorized service provider.

To avoid electrical shock hazard, before servicing the appliance, switch power off at the service panel and lock the panel to prevent the power from being switched on accidentally.

### **Proposition 65 Warning:**

This product may contain a chemical known to the State of California, which can cause cancer or reproductive harm. Therefore, the packaging of your product may bear the following label as required by California:

STATE OF CALIFORNIA PROPOSITION 65 WARNING:

 **WARNING**

Cancer and Reproductive Harm - [www.P65Warnings.ca.gov](http://www.P65Warnings.ca.gov)

---

## Causes of Damage

---

---

### **NOTICE**

---

#### RISK OF HEAT DAMAGE TO ADJACENT APPLIANCES OR KITCHEN UNITS:

If the appliance is in operation for an extended period, heat and moisture will be generated. Additional ventilation is required. Open the window or switch on an extractor hood that discharges the extracted air and moisture outside the building.

---

---

### **NOTICE**

---

#### RISK OF DAMAGE TO THE APPLIANCE DUE TO THE BUILD-UP OF HEAT:

Do not heat roasters, frying pans or grill stones using more than one burner at a time.

---

---

### **NOTICE**

---

#### OPERATIONAL FAULT:

Always turn the control knob to the "Off" position when the appliance is not being used.

---

---

## Environmental protection

---

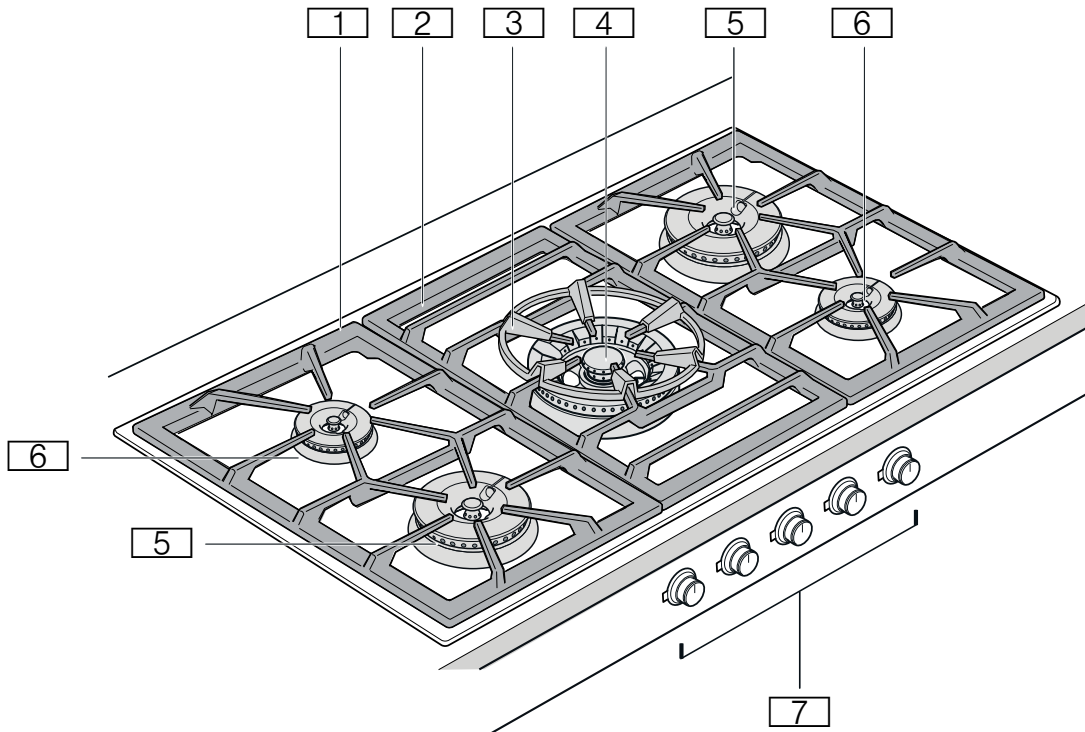
The sections below list a number of energy-saving tips and provide information on disposing of your appliance.

### **Saving energy**

- Choose a burner of roughly the same size as your pan. Place the cookware in the middle.
- Use a small saucepan for small quantities. A larger, less full saucepan requires more energy.
- Always place suitable lids on saucepans. Cooking without a lid consumes significantly more energy. Use a glass lid so that you can see into the pan without having to lift the lid.
- Cook with a small amount of water. That saves energy. Vitamins and minerals in vegetables are preserved.
- Switch to a lower heat setting when possible. As a result, you save energy.

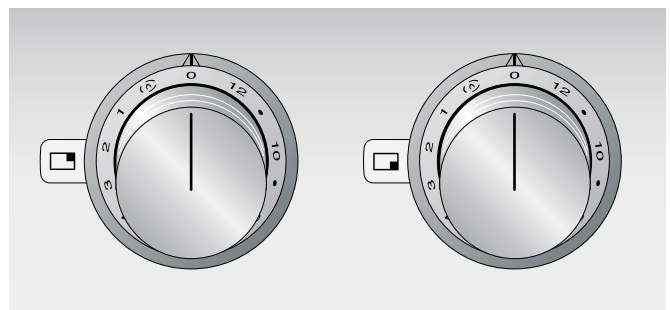
## Getting to know your appliance

### Gas cooktop



- 1 Ventilation openings (underneath pan support)
- 2 Pan support
- 3 Wok ring
- 4 Wok burner 5.0 or 5.5 kW  
17,000 or 18,800 BTU/hr
- 5 High-output burner 4.0 kW 13,500 BTU/hr
- 6 Standard-output burner 2.0 kW 7,000 BTU/hr
- 7 Control knob

### Control knob



The markings by each of the control knobs show which burner they operate and the heat setting (from 1 to 12 or Simmer setting (☉)).

|                          |                     |
|--------------------------|---------------------|
| <input type="checkbox"/> | Front left burner   |
| <input type="checkbox"/> | Rear left burner    |
| <input type="checkbox"/> | Center burner (wok) |
| <input type="checkbox"/> | Rear right burner   |
| <input type="checkbox"/> | Front right burner  |

## Display on the illuminated ring

Each control knob is encircled by an illuminated ring with various display functions.

| Display screen                                         | Meaning                                                               |
|--------------------------------------------------------|-----------------------------------------------------------------------|
| ○ Off                                                  | Appliance OFF                                                         |
| ● Lit orange                                           | Appliance ON                                                          |
| ☀ Flashing orange                                      | Appliance OFF<br>Residual heat indicator                              |
| ☀ Flashing orange and white alternately                | Safety shut-off, power failure                                        |
| ☀ Flashing yellow and magenta alternately              | Appliance fault<br>Call Customer Service                              |
| ● Lights up green for a few seconds, then turns yellow | Appliance initialized, only after initial connection or power failure |

## Special accessories

You can order the following accessories from your specialist dealer:

WP 400 001 Wok pan made of multi-layered material. With concave bottom and handle, Ø 14¼" (36 cm), 6 liters, height 4" (10 cm).

Use the accessories only as indicated. The manufacturer assumes no liability for incorrect usage of the accessories.

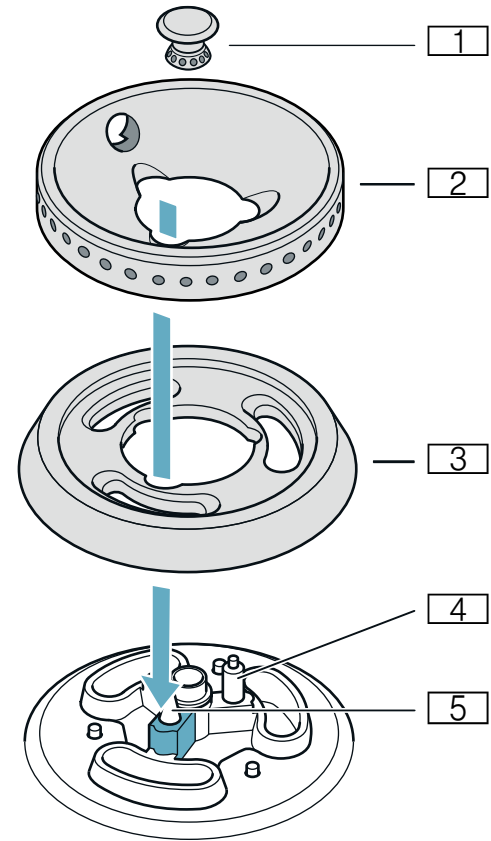
## Individual parts of the burner

Ensure that the individual parts of the burner are fitted in the correct position and are straight; otherwise, this may result in ignition problems or problems during operation.

Ensure that the burner head and burner ring fit so that the locking catches on the bottom of the burner snap into the appropriate recesses. The direction of burner head and burner ring doesn't matter.

**Note:** If the burner parts are fitted at an angle, the appliance will not work.

## Individual parts of the standard-output burner and high-output burner

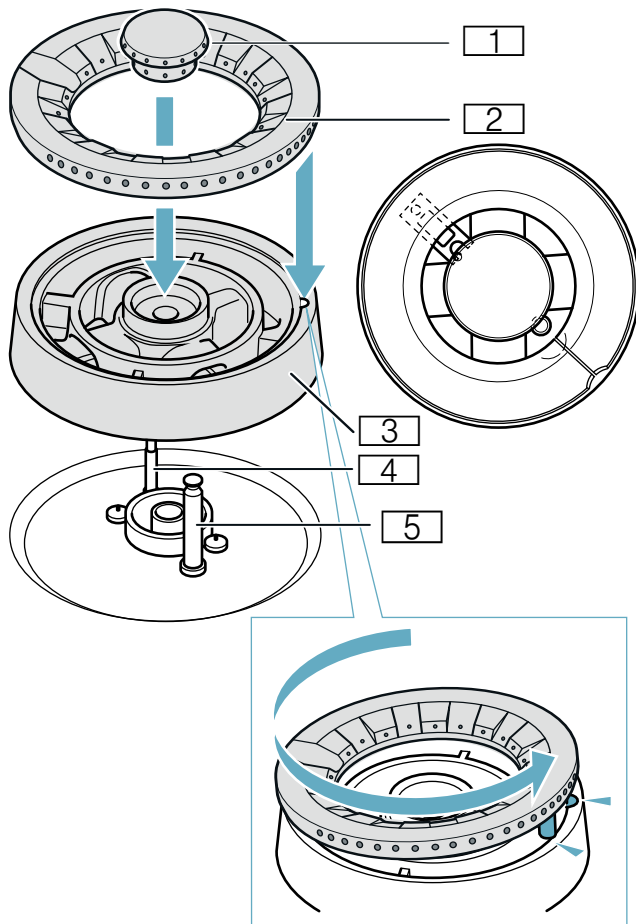


- 1 Burner cap
- 2 Burner ring
- 3 Burner head
- 4 Ignition plug
- 5 Thermocouple

## Individual parts of the wok burner

Ensure that the individual parts of the wok burner are fitted in the correct position and are straight; otherwise, this may result in ignition problems or problems during operation. Fit the burner head such that the thermocouple is positioned in the corresponding recess on the burner head. The lug on the burner ring must engage in the corresponding recess on the burner head.

**Note:** If the burner parts are fitted at an angle, the appliance will not work.



- 1 Burner cap
- 2 Burner ring
- 3 Burner head
- 4 Thermocouple
- 5 Ignition plug

## Operating the appliance

### Notes

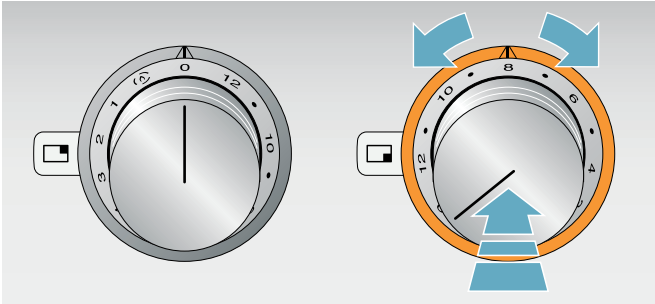
- Only use the accessories specified. Do not line the stainless steel recess (e.g. with aluminum foil).
- The burner and ignition plug must be clean and dry.
- Only light the burners if the pan supports and all burner parts are correctly fitted.
- When one burner is ignited, an ignition spark will also be generated at all the other burners.
- Do not touch the ignition plug while the gas appliance is being lit.
- It is important to keep the appliance clean. If the ignition plugs are dirty, this may cause ignition problems. Clean the ignition plugs regularly with a small, non-metallic brush. Take care to prevent the ignition plugs from suffering any heavy knocks.
- When you cook using a wok, place the wok ring onto the pan support over the wok burner. Make sure that the wok is stable on the wok ring when you are cooking.
- When you switch from setting 3 to setting 4 or higher, the burner will briefly switch to its maximum output. This is to optimize ignition between the burner rings.
- Do not cover the ventilation openings on the rear of the gas cooktop.
- When the gas cooktop is switched on, the electronics open up the gas supply, which produces a short sound. This is normal.
- In the event of a power failure, the appliance will not work. The gas supply is shut off.

## Turning on

Your gas cooktop has an automatic quick-ignition function.

1. Place a suitable item of cookware on the pan support.
2. Push in the control knob for your chosen burner and turn it clockwise or counter-clockwise to the heat setting you require.

The burner ignites automatically.



Turn the control knob to set the heat setting.

---

### **WARNING**


#### **Risk of deflagration!**

If the burner does not ignite after 15 seconds, switch off the control knob and open the door or window in the room. Wait at least 1 minute before igniting the burner again.

---

## Simmer setting

With the simmer setting, the burner switches the gas flame on and off. This allows you to melt chocolate or heat up delicate sauces, for example.

Turn the control knob to . It takes 10-50 seconds to switch on or off.

## Electronic flame monitoring and automatic re-ignition

For your safety, the cooktop has an electronic flame monitoring system. If the flame goes out while the cooktop is in use (e.g. due to a draft), the appliance will automatically re-ignite the burner.

If re-ignition is unsuccessful (e.g. because liquid or food has boiled over and remains on the burner), the appliance will switch off the gas supply. The illuminated ring behind the control knob will flash.

Turn the control knob to 0. Wait until the appliance is cool enough and then check whether all the burner parts are in the correct position. Check whether the burner or the ignition plug are covered in food remnants etc. → "Faults – What to Do?" on page 20

## Turning off

Turn the control knob to position 0. The appliance electronics will shut off the gas supply.

## Residual heat display

The illuminated ring behind the control knob will flash after switching off as long as the appliance is too hot to touch it safely.

## Safety shut-off

For your protection, the appliance is equipped with a safety shut-off. The appliance is automatically switched off if it has been in operation for an extended period. How long the appliance waits before switching itself off depends on the setting (setting 12 = 1 hour, setting 1 = 4 hours). The illuminated ring behind the control knob will flash orange and white alternately.

Turn the control knob to 0. You will now be able to start the appliance again as usual.



## Table of settings and tips

| Heat setting             | Cooking method                | Examples                           |
|--------------------------|-------------------------------|------------------------------------|
| 12                       | Heating                       | Water, clear soups                 |
|                          | Blanching                     | Vegetables                         |
| 10 - 12                  | Searing                       | Meat, wok dishes/pan-fried dishes  |
|                          | Frying at high temperatures   | Meat, potatoes                     |
| 7 - 10                   | Simmering with the lid open   | Liquids, dough-based foods         |
| 6 - 8                    | Baking                        | Flour-based food                   |
|                          | Frying at medium temperatures | Poultry, fish                      |
| 4 - 6                    | Frying at low temperatures    | Fried sausages, onions, egg dishes |
|                          | Heating                       | Vegetables, soups, stews           |
|                          | Deep-fat frying               | Fries, dough-based confectionery   |
|                          | Poaching with the lid open    | Dumplings, boiled sausages         |
| 3 - 4                    | Defrost                       | Frozen food                        |
|                          | Braising                      | Roulades, roasts                   |
|                          | Stewing                       | Vegetables                         |
| 2 - 4                    | Simmering with the lid on     | Soups, vegetables                  |
| Simmer setting – up to 3 | Sources                       | Rice, rice pudding, cereals        |
| Simmer setting           | Melting, keeping warm         | Chocolate, butter                  |

## Burner recommendation

For cooking at low temperatures and with a long preparation time (e.g. melting, soaking, baking), select the standard- or high-output burner (not the wok burner).

For cooking at high temperatures and with a short preparation time (e.g. warming, deep-frying), we recommend the wok burner or the high-output burner.

## Tips for cooking and roasting

The values in the settings table serve as mere guidelines, since more or less heat may be required, depending on the type and condition of the foods, as well as the size and fullness of the pot.

The high output causes grease and oil to heat up quickly. Don't leave food unattended while frying; grease can catch fire and burn the food.

## Tips for using a wok

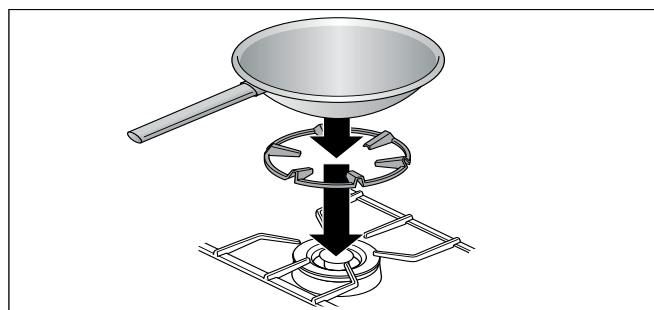
**Note:** When you cook using a wok, place the wok ring onto the pan support over the wok burner. Make sure that the wok is stable on the wok ring when you are cooking.

We recommend using woks with a domed base. You can order a high-quality wok as an optional accessory (WP 400 001).

When cooking with the wok, use only cooking oil that is suitable for heating to high temperatures, such as peanut oil.

Cook the ingredients at a high heat, while stirring constantly. Do not cook them for too long. The vegetables should be al dente.

For stirring the food and for taking it out of the pan, it is best to use a shallow ladle with a long handle made from a heat-resistant material.



## Notes regarding cookware

The following information and tips have been provided to help you save energy and avoid damaging your cookware.

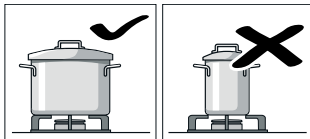
### Appropriate Cooking Vessels

| Burner                 | Recommended pan base diameter | Minimum pan base diameter |
|------------------------|-------------------------------|---------------------------|
| Standard-output burner | 8 - 9½" (200 - 240 mm)        | 3½" (90 mm)               |
| High-output burner     | 9½ - 11" (240 - 280 mm)       | 3½" (90 mm)               |
| Wok burner             | 9½ - 12½" (240 - 320 mm)      | 6½" (160 mm)              |

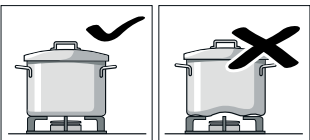
Use the wok only on the wok ring.

Pans with a diameter of less than 3½" (90 mm) or more than 11" (280 mm), (12½" (320 mm) for the wok burner) should not be used. If you do use larger pans, these should not protrude beyond the edges of the appliance.

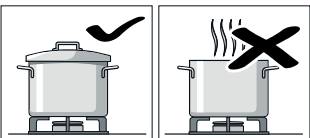
### Information for Use



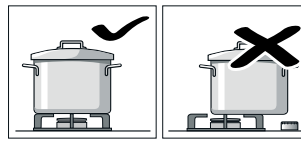
Use cooking vessels of appropriate size for the particular burner. Don't use small cooking vessels on large burners. The flame shouldn't come in contact with the sides of the cooking vessel.



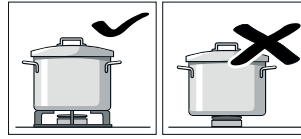
Don't use any deformed cooking vessels that don't stand solidly on the cooktop. The vessels could tip over. Only use cooking vessels with flat and thick bottoms.



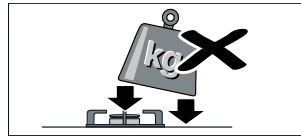
Don't cook without a lid or if the lid is not on all the way. The majority of the heat is lost.



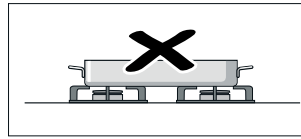
Place the cooking vessel in the center of the burner, otherwise it may tip over. Don't place large pots on the burners near the stove controls. They could overheat and become damaged.



Place the pots on the pan supports, never directly onto the burners. Prior to use, ensure that the pan supports and lids of the gas burners are positioned correctly.



Handle vessels carefully on the cooktop. Don't bang the cooktop and don't place any heavy weights on it.



Never heat a cooking vessel (e.g. roasting tin, pan, cooking stone) with multiple burners. The resulting accumulation of heat causes damage to the appliance.

---

## Cleaning and maintenance

---

### WARNING

#### Risk of electrical shock!

Moisture entering the appliance can cause an electrical shock. Don't use a high-pressure cleaner or steam cleaner.

---

### WARNING

#### Risk of burns!

The accessible parts get hot during operation. Never touch hot parts. Keep children away.

---

### NOTICE

#### SURFACE DAMAGE:

Do not use the following cleaning agents:

- Abrasive or rough cleaners
- Oven cleaners
- Caustic, chlorinated or aggressive cleansers
- Cleanser with a high alcohol content
- Hard, scratchy sponges, brushes or scouring pads

If such an agent comes into contact with the appliance, wash it off immediately with water.

Always wash new sponge cloths thoroughly before use.

---

## Cleaning the appliance

Clean the appliance after each use once it has cooled down. Remove liquids that have boiled over or spilled immediately and do not allow any food remnants to burn on.

Make sure that the ventilation openings under the pan support are always clean. The ventilation openings may not be covered.

Dry the burners thoroughly after cleaning. Only operate the appliance when the burners are dry. Damp burners can cause ignition problems and/or an unstable flame.

During assembly, make sure that the burner parts (lugs) are in the correct position. All parts must be positioned straight.

---

| Appliance part/<br>Surface | Recommended cleaning |
|----------------------------|----------------------|
|----------------------------|----------------------|

---

|                          |                                                                                                                                    |
|--------------------------|------------------------------------------------------------------------------------------------------------------------------------|
| Stainless steel surfaces | Use soapy water and dry with a soft cloth. Only use a minimal amount of water when cleaning so that no water enters the appliance. |
|--------------------------|------------------------------------------------------------------------------------------------------------------------------------|

Soak burnt-on remnants with a small amount of soapy water; do not scour.

Remove heavy soiling or yellow discoloration caused by heat using our stainless-steel cleaning agent (article no. 00311499).

|             |                                                                                               |
|-------------|-----------------------------------------------------------------------------------------------|
| Pan support | Carefully remove for cleaning. Soak in the sink. Clean using a scrubbing brush and detergent. |
|-------------|-----------------------------------------------------------------------------------------------|

Clean the area around the rubber buffers carefully so that they do not become detached.

Rinse with clean water before leaving to dry.

**Do not clean in the dishwasher.**

|              |                                                                                         |
|--------------|-----------------------------------------------------------------------------------------|
| Burner parts | Use soapy water and dry with a soft cloth. Make sure that the openings are not blocked. |
|--------------|-----------------------------------------------------------------------------------------|

Take care that no small parts are lost.

**Do not clean in the dishwasher.**

|              |                                                            |
|--------------|------------------------------------------------------------|
| Control knob | The soapy cloth may not be too wet. Dry with a soft cloth. |
|--------------|------------------------------------------------------------|

---

## Burnt-on dirt

For hard-to-remove, burnt-on dirt, you can order a cleaning gel from our online shop, from your specialist retailer or our Customer Service (item number 00311859). It is suitable for pan supports and the stainless steel recess. If necessary, let the dirt soak overnight. Heed the instructions on the cleaning agent.

---

### NOTICE

#### DAMAGE TO THE SURFACE -

Do not use the cleaning gel on the burner parts.

---

## Discoloration of the burners

After long use, the burner parts made of brass become darker due to natural oxidation. The change in the color does not affect use user benefits.

---

## Faults – What to Do?

---

You can often easily eliminate problems that may occur on your own. Before calling Customer Service, take into account the following information.



### WARNING

#### Risk of electric shock!

Incorrect repairs are dangerous. Repairs may only be carried out by an authorized servicer. If the appliance is not functioning properly, unplug the power cord or switch off the fuse in the fuse box. Contact Customer Support.

---

| Disruption                                                                                                                                                                                                                         | Possible cause                                                               | Solution                                                                                                                                                                                                                                                                                                                                                                                                                                                                                                                                         |
|------------------------------------------------------------------------------------------------------------------------------------------------------------------------------------------------------------------------------------|------------------------------------------------------------------------------|--------------------------------------------------------------------------------------------------------------------------------------------------------------------------------------------------------------------------------------------------------------------------------------------------------------------------------------------------------------------------------------------------------------------------------------------------------------------------------------------------------------------------------------------------|
| The burner will not ignite when it is switched on.                                                                                                                                                                                 | Power supply disconnected.                                                   | Turn all of the control knobs to 0. Check the fuse box to see whether the circuit breaker has tripped.                                                                                                                                                                                                                                                                                                                                                                                                                                           |
| The burner will not ignite when it is switched on.<br><br>The illuminated ring behind the control knob will flash orange and white alternately.                                                                                    | Burner or gas supply fault.                                                  | Turn all of the control knobs to 0.<br><br><b>Check:</b> <ul style="list-style-type: none"> <li>• Are the burner parts positioned correctly?</li> <li>• Is the main gas tap open?</li> <li>• Is the burner clean and dry?</li> <li>• Is there air in the line following initial connection or a cylinder change (in the case of liquid gas)?</li> <li>• Gas cylinder empty (in the case of liquid gas)?</li> </ul>                                                                                                                               |
| The burner will not ignite when it is switched on.<br><br>All the illuminated rings behind the control knobs are lit white for 10 seconds after switch-on. Then the illuminated ring around the active control knob is lit orange. | Demo mode is activated.                                                      | Deactivate demo mode.                                                                                                                                                                                                                                                                                                                                                                                                                                                                                                                            |
| The burner will not ignite when it is switched on.<br><br>The illuminated ring behind the control knob is flashing yellow and magenta alternately.                                                                                 | Electronics fault                                                            | Turn all control knobs to 0 and disconnect the appliance from the power supply for one minute (switch off the circuit breaker or pull out the plug).<br><br>Reconnect the appliance. The illuminated rings around the control knobs light up green for a few seconds and then turn yellow. Wait until the illuminated rings switch off. Then turn any of the control knobs to any of the heat settings and then back to 0.<br><br>Switch on the burner. If the illuminated ring starts flashing yellow and magenta again, call Customer service. |
| The burner goes out while the appliance is in operation.<br><br>The illuminated ring behind the control knob will flash orange and white alternately.                                                                              | Safety switch off:<br>No actions have been performed for an extended period. | Turn all control knobs to 0, and then switch them back on if you wish to continue using the appliance.                                                                                                                                                                                                                                                                                                                                                                                                                                           |

|                                                                                        |                                                                                       |                                                                                                             |
|----------------------------------------------------------------------------------------|---------------------------------------------------------------------------------------|-------------------------------------------------------------------------------------------------------------|
| The burner goes out while the appliance is in operation.                               | Power failure in the household:                                                       | Turn all control knobs to 0, and then switch them back on if you wish to continue using the appliance.      |
| The illuminated ring behind the control knob will flash orange and white alternately.  | Following a power failure, the appliance will remain switched off for safety reasons. |                                                                                                             |
| There is a smell of gas in the kitchen.                                                | Gas may be leaking out where the gas cylinder is connected.                           | Check that the gas cylinder connection is not leaking. Open windows and ensure the room is well ventilated. |
| The appliance paneling becomes slightly raised at the corners when it is in operation. | The metal from which the cooktop is made expands as it heats up.                      | This is normal. It will contract again once it has cooled down.                                             |

## Notes

- Each time the mains power is switched on or following a power failure, a sound is produced when the gas valves are started up. The illuminated rings around the control knobs light up green for a few seconds and then turn yellow. Wait until the illuminated rings switch off.
- When the gas cooktop is switched on, the electronics open up the gas supply, which produces a short sound. A sound can also be heard when the setting is changed. This is normal.

## Demo Mode

The demo mode is activated if all of the illuminated rings around the control knobs light up white for 10 seconds after switching on the appliance. The burner will not ignite. The illuminated ring around the active control knob will be lit orange.

### You can deactivate the demo mode as follows:

1. Turn all of the control knobs to 0. Disconnect the appliance from the power supply. Wait at least 30 seconds.
2. Reconnect the appliance. The illuminated rings around the control knobs light up green for a few seconds and then turn yellow. Wait until the illuminated rings switch off.
3. Then deactivate demo mode within three minutes as follows:  
Turn any of the control knobs anti-clockwise to position 12.
4. Turn the control knob clockwise to position 1.
5. Turn the control knob anti-clockwise to position 0.  
Wait until the illuminated ring lights up yellow.
6. Turn the control knob clockwise to position 1. The illuminated ring lights up green.  
Wait for five seconds. The illuminated ring now turns yellow.

Demo mode has now been deactivated. **To save the setting, always exit the menu as follows:**

7. Turn the control knob to 0. Then turn the control knob anti-clockwise to position 12. Turn the control knob clockwise to position 1. Turn the control knob counter-clockwise to position 0. Wait until the illuminated ring goes out.

---

## Customer Service

---

If your appliance needs repairs, our Customer Service is there for you. We work hard to help solve problems quickly and without unnecessary service calls, getting your appliance back up and running correctly in the least amount of time possible.


When you call, please indicate the product number (E-Nr.) and serial number (FD-Nr.) so that we can support you in a qualified manner. You will find the data plate with these numbers on the bottom of the appliance. To avoid having to search when you need it, you can enter your appliance data and the Customer Service telephone number here.

---

| E-Nr. | FD-Nr. |
|-------|--------|
|-------|--------|

---

---

**Customer Service** 

---

Please read the use and care instructions provided with your appliance. Failure to do so may result in an error in using the appliance resulting in unnecessary service calls, which may not be covered by the warranty.

Please find the contact data of all countries in the enclosed customer service list.

### To book a service visit and product advice

**USA** 877 442 4436  
toll-free

**CANADA** 877 442 4436  
toll-free

# Table des Matières

|                                                               |           |
|---------------------------------------------------------------|-----------|
| <b>▲ Définitions de sécurité</b>                              | <b>24</b> |
| <b>CONSIGNES DE SÉCURITÉ IMPORTANTES</b>                      | <b>25</b> |
| Sécurité-incendie                                             | 27        |
| Sécurité en matière de gaz                                    | 28        |
| Prévention des brûlures                                       | 30        |
| Sécurité des enfants                                          | 31        |
| Consignes en matière de nettoyage                             | 31        |
| Sécurité pour la batterie de cuisine                          | 32        |
| Installation et entretien corrects                            | 32        |
| Avertissement issu de la proposition 65 :                     | 33        |
| <b>Causes des dommages</b>                                    | <b>34</b> |
| <b>Protection de l'environnement</b>                          | <b>34</b> |
| Économies d'énergie                                           | 34        |
| <b>Présentation de l'appareil</b>                             | <b>35</b> |
| Table de cuisson gaz                                          | 35        |
| Manettes de commande                                          | 35        |
| Anneau lumineux                                               | 36        |
| Accessoires spéciaux                                          | 36        |
| Composants des brûleurs                                       | 36        |
| Composants du brûleur pour wok                                | 37        |
| <b>Utiliser l'appareil</b>                                    | <b>37</b> |
| Mise en marche                                                | 38        |
| Position mijotage                                             | 38        |
| Contrôle électronique de la flamme et ré-allumage automatique | 38        |
| Arrêt                                                         | 38        |
| Indicateur de chaleur résiduelle                              | 38        |
| Coupure de sécurité                                           | 38        |
| <b>Tableau de réglage et conseils</b>                         | <b>39</b> |
| Recommandations de brûleur                                    | 39        |
| Conseils pour la cuisson                                      | 39        |
| Conseils pour la cuisson au wok                               | 39        |
| <b>Indications relatives aux récipients</b>                   | <b>40</b> |
| Récipients de cuisson adaptés                                 | 40        |
| Conseils d'utilisation                                        | 40        |
| <b>Nettoyage et entretien</b>                                 | <b>41</b> |
| Nettoyage de l'appareil                                       | 41        |
| Salissures brûlées                                            | 42        |
| Décoloration des brûleurs                                     | 42        |

|                                      |           |
|--------------------------------------|-----------|
| <b>Dérangements, Que faire si...</b> | <b>43</b> |
| Mode démonstration                   | 45        |
| <b>Service après-vente</b>           | <b>45</b> |

Vous trouverez des informations supplémentaires concernant les produits, accessoires, pièces de rechange et services sur Internet sous : [www.gaggenau.com](http://www.gaggenau.com) et la boutique en ligne : [www.gaggenau.com/zz/store](http://www.gaggenau.com/zz/store)

---

## Définitions de sécurité

---

---

### AVERTISSEMENT

---

Ceci indique que le non-respect de cet avertissement peut entraîner des blessures graves, voire la mort.

---

---

### ATTENTION

---

Ceci indique que le non-respect de cet avertissement peut entraîner des blessures légères ou de gravité moyenne.

---

---

### **AVIS**

---

Ceci indique que la non-conformité à cet avis de sécurité peut entraîner des dégâts matériels ou endommager l'appareil.

---

**Remarque :** Ceci vous signale des informations et/ou indications importantes.





# CONSIGNES DE SÉCURITÉ IMPORTANTES

LIRE ET CONSERVER CES INSTRUCTIONS

## **⚠ AVERTISSEMENT :**

**Si les directives ne sont pas suivies à la lettre, il y a un risque d'incendie ou d'explosion pouvant entraîner des dommages matériels, des blessures ou un décès.**

- **Ne pas conserver ou utiliser de l'essence ou d'autres liquides ou vapeurs inflammables à proximité de cet appareil ou de tout autre appareil.**
- **QUE FAIRE SI VOUS PERCEVEZ UNE ODEUR DE GAZ**
  - **Ne pas essayer de mettre un appareil sous tension.**
  - **Ne pas toucher d'interrupteur de courant électrique.**
  - **Ne pas utiliser de téléphones dans l'édifice.**
  - **Communiquer immédiatement avec le fournisseur de gaz depuis l'appareil téléphonique d'un voisin. Respecter les directives du fournisseur de gaz.**
  - **S'il s'avère impossible de joindre le fournisseur de gaz, communiquer avec les pompiers.**
- **Utiliser les services d'un installateur ou d'une agence de services qualifiés ou le fournisseur de gaz pour procéder à l'installation et aux réparations.**



# CONSIGNES DE SÉCURITÉ IMPORTANTES

LIRE ET CONSERVER CES INSTRUCTIONS

## **⚠ AVERTISSEMENT :**

**Ne faites jamais fonctionner la surface de cuisson, sur le dessus de cet appareil, sans surveillance**

- **Le non-respect de cette mise en garde pourrait entraîner un incendie, une explosion ou un risque de brûlure et ainsi causer des dommages matériels, des blessures ou la mort.**
- **Si l'appareil prend feu, tenez-vous à l'écart et appelez immédiatement votre service des incendies.**

**NE TENTEZ JAMAIS D'ÉTEINDRE UN FEU DE GRAISSE OU D'HUILE EN L'ASPERGEANT D'EAU.**



# CONSIGNES DE SÉCURITÉ IMPORTANTES

LIRE ET CONSERVER CES INSTRUCTIONS

## Sécurité-incendie

Conserver ces instructions.

Régler la commande de brûleur afin que la flamme ne puisse pas dépasser le rebord du fond des casseroles.

Ne laissez pas le papier d'aluminium, le plastique, le papier ou les tissus entrer en contact avec un élément de surface, une grille ou un brûleur chaud. Ne laissez pas les casseroles chauffer à sec.

Si la table de cuisson est près d'une fenêtre, d'un évent à air forcé ou d'un ventilateur, s'assurer que les matériaux inflammables tels les tentures/rideaux ne flottent pas au-dessus ou près des brûleurs ou éléments. Ils risqueraient de s'enflammer.

Toujours avoir un détecteur de fumée en état de marche près de la cuisine.

Ne laissez jamais la table de cuisson sans surveillance lorsqu'elle est en utilisation. Des débordements causant de la fumée et des déversements graisseux peuvent prendre feu.



---

## AVERTISSEMENT

---

POUR RÉDUIRE LES RISQUES DE FEUX DE GRAISSE :

1. Ne jamais faire fonctionner les unités de surface à des températures élevées sans surveillance. Des débordements causant de la fumée et des déversements graisseux peuvent prendre feu. Chauffer l'huile lentement à réglage faible ou moyen.
  2. Toujours mettre la hotte EN MARCHE pendant la cuisson à température élevée et au moment de flamber des aliments (p.ex., crêpes Suzette, cerises jubiléées, steak au poivre flambé).
  3. Souvent nettoyer les ventilateurs d'aération. Il ne faut pas que la graisse s'accumule sur le ventilateur ou sur le filtre.
  4. Utiliser des casseroles de taille adéquate. Utiliser toujours des casseroles dont les dimensions conviennent à la taille de l'élément.
- 

Si des vêtements s'enflamment, jeter et rouler par terre immédiatement pour éteindre les flammes.

Étouffez les flammes d'un feu d'aliments autre qu'un feu de graisse à l'aide de bicarbonate de soude. Ne jamais utiliser d'eau sur les feux de cuisson.



# CONSIGNES DE SÉCURITÉ IMPORTANTES

LIRE ET CONSERVER CES INSTRUCTIONS

S'assurer que l'air brassé par les ventilateurs ou les événements à air forcé n'agisse pas sur les flammes d'un brûleur de sorte qu'elles risquent de dépasser des rebords d'une casserole.

Veillez à avoir à portée de main un extincteur d'incendie en bon état de marche, placé visiblement près de l'appareil et facile d'accès.



## AVERTISSEMENT

POUR RÉDUIRE LE RISQUE DE LÉSIONS CORPORELLES DANS L'ÉVENTUALITÉ D'UN FEU DE GRAISSE, OBSERVER LES CONSIGNES SUIVANTES :

1. **ÉTOUFFER LES FLAMMES** à l'aide d'un couvercle bien hermétique, d'une tôle à biscuits ou d'un plateau en métal, puis éteindre l'appareil. **FAIRE ATTENTION À NE PAS SE BRÛLER.** Si les flammes ne s'éteignent pas immédiatement, **ÉVACUER LES LIEUX ET FAIRE APPEL AU SERVICE D'INCENDIE.**
2. **NE JAMAIS SAISIR UN RÉCIPIENT QUI BRÛLE.** Vous pourriez vous brûler.
3. **NE PAS UTILISER D'EAU,** y compris les chiffons ou serviettes mouillées. Une violente explosion de vapeur risque de se produire.

4. Utiliser un extincteur uniquement si :

- Vous savez que vous possédez un extincteur de **CLASSE ABC**, et vous en connaissez déjà le maniement.
  - L'incendie est de petite ampleur et contenu dans la zone où il s'est déclaré.
  - Le service d'incendie est appelé.
  - On peut combattre l'incendie le dos tourné vers la sortie.
- 

Dans la mesure du possible, ne pas faire fonctionner le système de ventilation lorsqu'un feu se déclenche sur une table de cuisson. Toutefois, ne pas passer la main à travers le feu pour mettre le système de ventilation hors tension.

## Sécurité en matière de gaz

Pour éviter toute accumulation d'oxyde de carbone, ne pas bloquer les événements de l'appareil.

Se faire indiquer l'emplacement du robinet d'arrêt de gaz par l'installateur.

Pour un fonctionnement adéquat des brûleurs, l'allumeur doit toujours être propre et sec.

Si un brûleur s'éteint et que du gaz s'échappe, ouvrir portes et fenêtres. Attendre que le gaz se soit dissipé avant d'utiliser de nouveau l'appareil.

# **CONSIGNES DE SÉCURITÉ IMPORTANTES**

LIRE ET CONSERVER CES INSTRUCTIONS

**AVIS DE SÉCURITÉ IMPORTANT :**  
l'incinération de combustible gazeux de cuisson peut générer des sous-produits qui figurent sur la liste des substances reconnues par l'État de Californie comme étant cancérigènes ou nuisibles à la reproduction. Pour minimiser l'exposition à ces substances, toujours faire fonctionner cet appareil conformément aux instructions contenues dans cette brochure et assurer une bonne ventilation.

---

## **AVERTISSEMENT**

Tous les allumeurs émettent des étincelles lorsqu'on allume un brûleur. Ne toucher aucun brûleur lors de l'utilisation de la table de cuisson.

Si vous sentez du gaz, votre installateur n'a probablement pas détecté une fuite de gaz. Si les branchements ne sont pas parfaitement étanches, vous pourriez avoir une petite fuite et donc une légère odeur de gaz. La détection d'une fuite de gaz n'est pas une opération à faire soi-même. Certaines fuites ne peuvent être détectées que si le brûleur est en position de marche et ceci doit être fait par un technicien de réparation qualifié. Voir Avertissement,

---

## **AVERTISSEMENT**

Pour éviter les poussées de flamme lors de l'utilisation de la table de cuisson, les grilles de brûleur doivent être correctement installées. Les pieds de support des grilles doivent reposer sur les alvéoles de la table de cuisson prévues à cet effet. Ne pas utiliser une grille si les pieds en caoutchouc sont absents ou abîmés.

Les orifices de l'allumeur doivent être propres pour que les brûleurs s'allument correctement. Il est impératif de nettoyer les brûleurs en cas de débordement ou si un brûleur ne s'allume pas même si l'allumeur émet un léger claquement.

---

## **AVERTISSEMENT**

Pour éviter les poussées de flamme, ne pas utiliser la table de cuisson sans avoir correctement installé les capuchons de brûleur et les grilles de brûleur.

---

## **AVERTISSEMENT**

Ne pas nettoyer ni toucher les brûleurs lorsque le brûleur à très faible puissance (s'il y en a un) est en cours d'utilisation. Lorsque le brûleur à très faible puissance se rallume automatiquement, l'allumeur émettra des étincelles au niveau du brûleur.



# CONSIGNES DE SÉCURITÉ IMPORTANTES

LIRE ET CONSERVER CES INSTRUCTIONS



## AVERTISSEMENT

Utiliser cet appareil uniquement pour l'usage auquel il est destiné comme l'indique ce manuel. Ne **JAMAIS** utiliser cet appareil comme un radiateur électrique portatif pour chauffer ou réchauffer une pièce. Ceci pourrait entraîner une intoxication par l'oxyde de carbone et provoquer une surchauffe de l'appareil. L'appareil ne doit jamais servir à entreposer quoi que ce soit.



## AVERTISSEMENT

Ne **JAMAIS** couvrir les encoches, orifices ou passages pratiqués au fond du four et ne jamais recouvrir complètement la grille avec des matériaux tels que le papier d'aluminium. Ceci aurait pour effet de bloquer la circulation de l'air à l'intérieur du four et pourrait entraîner une intoxication par l'oxyde de carbone. Les feuilles d'aluminium peuvent également emprisonner la chaleur et présenter ainsi un risque d'incendie.

## Prévention des brûlures

**NE PAS TOUCHER AUX ÉLÉMENTS DE SURFACE NI AUX ZONES PRÈS DES ÉLÉMENTS.** Les unités de surface peuvent être chaudes même lorsqu'elles sont de couleur foncée. Les zones près des unités de surface peuvent devenir suffisamment chaudes pour causer des brûlures. Pendant et après l'utilisation, ne pas toucher, ni laisser vêtements, poignées isolantes ou autres matériaux inflammables entrer en contact avec les éléments de surface ni aux zones près des éléments tant qu'ils n'ont pas refroidi. Citons notamment la table de cuisson et les surfaces situées près de celle-ci.

Ne pas chauffer ou réchauffer des contenants d'aliments non ouverts. L'accumulation de pression peut faire exploser le contenant et provoquer des blessures.

Mettre toujours la hotte **EN MARCHÉ** pendant la cuisson à température élevée et au moment de flamber des aliments (p.ex., crêpes Suzette, cerises jubiléés, steak au poivre flambé).

Utiliser les réglages élevés seulement lorsque nécessaire. Pour éviter bulles et éclaboussures, chauffer l'huile lentement à réglage faible ou moyen. L'huile chaude peut causer des brûlures et blessures extrêmement graves.

Ne déplacez jamais une poêle contenant de l'huile chaude, en particulier une bassine à friture. Attendez qu'elle se soit refroidie.

# **CONSIGNES DE SÉCURITÉ IMPORTANTES**

LIRE ET CONSERVER CES INSTRUCTIONS

Attacher les vêtements lâches, etc. avant de commencer. Attacher les cheveux longs de façon à ce qu'ils ne pendent pas et ne pas porter de vêtements lâches ou d'habits ou objets qui pendillent, tels que cravates, foulards, bijoux ou manches.

## **Sécurité des enfants**

Lorsque les enfants sont assez âgés pour utiliser l'appareil, il incombe aux parents ou tuteurs légaux de veiller à ce qu'ils soient formés aux pratiques sécuritaires par des personnes qualifiées.

Ne permettre à personne de grimper, rester debout, s'appuyer, s'asseoir ou se pencher sur toute partie d'un appareil, notamment une porte, un tiroir-réchaud ou un tiroir de rangement. Ceci peut endommager l'appareil qui risque de basculer et causer des blessures sérieuses.

Ne pas permettre aux enfants d'utiliser cet appareil sauf sous la surveillance attentive d'un adulte. Ne pas laisser les enfants et les animaux seuls ou sans surveillance lorsque l'appareil est en service. Ne jamais les laisser jouer aux alentours de l'appareil, que ce dernier soit en service ou non.

---

## **ATTENTION**

---

Les articles d'intérêt pour les enfants ne doivent pas être rangés dans un appareil électroménager, dans les armoires au-dessus de l'appareil ou sur le dossier. Les enfants peuvent grimper sur l'appareil pour atteindre ces objets et se blesser sérieusement.

---

## **Consignes en matière de nettoyage**

**AVIS DE SÉCURITÉ IMPORTANT :** en application de la loi de la Californie sur la qualité de l'eau potable et sur les produits toxiques (« California Safe Drinking Water and Toxic Enforcement Act »), le Gouverneur de Californie est tenu de publier une liste des substances reconnues par l'État de Californie comme étant cancérigènes ou pouvant causer des malformations ou nuire à la reproduction, et les entreprises sont tenues d'avertir les consommateurs des risques potentiels d'exposition à de telles substances. L'incinération de combustible gazeux de cuisson et l'élimination de salissures lors d'un autonettoyage peuvent générer des sous-produits qui figurent sur cette liste. Pour minimiser l'exposition à ces substances, toujours faire fonctionner cet appareil conformément aux instructions contenues dans cette brochure et assurer une bonne ventilation.



# CONSIGNES DE SÉCURITÉ IMPORTANTES

LIRE ET CONSERVER CES INSTRUCTIONS



## AVERTISSEMENT

L'incinération de combustible gazeux de cuisson peut générer de faibles quantités d'oxyde de carbone, de benzène, de formaldéhyde et de suie. Afin de minimiser l'exposition à ces substances, les brûleurs doivent être réglés par un installateur ou un service certifié afin d'assurer une combustion adéquate. Assurer une ventilation adéquate en ouvrant une fenêtre ou utiliser un ventilateur ou une hotte aspirante lorsque vous cuisinez au gaz. Toujours utiliser l'appareil conformément aux instructions du présent manuel.

Ne pas bloquer le ou les événements du four pendant le cycle d'autonettoyage. Toujours utiliser l'appareil conformément aux instructions du présent manuel.

Après tout déversement ou débordement, éteindre le brûleur et laisser la table de cuisson refroidir. Nettoyer le pourtour du brûleur ainsi que ces orifices. Une fois ce nettoyage terminé, vérifier le bon fonctionnement du brûleur.

## Sécurité pour la batterie de cuisine

Tenir la poignée de la casserole en brassant ou tournant les aliments. Ceci l'empêche de bouger et évite les déversements.

Utiliser des casseroles de taille adéquate.

L'utilisation de casseroles trop petites aura pour effet d'exposer une partie de l'élément chauffant ou du brûleur pouvant présenter un risque de contact direct et d'incendie de vêtements. Sélectionner des ustensiles à fond plat, suffisamment larges pour couvrir l'élément chauffant. Cet appareil est doté de surfaces de différents formats. Un bon rapport ustensile/élément chauffant ou brûleur permet également d'améliorer le fonctionnement de l'appareil.

Toujours tourner les poignées pour qu'elles ne passent pas au-dessus des zones adjacentes de cuisson ou du bord de l'appareil. Ceci aide à diminuer le risque d'ignition de matériaux inflammables, de déversements et de brûlures.

Ajuster la taille de la flamme des brûleurs afin qu'elle ne dépasse pas le bord des ustensiles. Un bon rapport flamme/ustensile entraîne une diminution des risques en matière de sécurité.

## Installation et entretien corrects

Demandez à l'installateur de vous montrer où se trouve le disjoncteur ou le fusible. Identifier sa position pour pouvoir le retrouver facilement.



# **CONSIGNES DE SÉCURITÉ IMPORTANTES**

## LIRE ET CONSERVER CES INSTRUCTIONS

Cet appareil doit être adéquatement installé et mis à la terre par un technicien agréé. Branchez l'appareil uniquement dans une prise correctement reliée à la terre. Pour plus de détails, reportez-vous à la notice d'installation.

Cet appareil est destiné uniquement à une utilisation domestique normale. Il n'est pas homologué pour un usage en extérieur. Voyez l'Énoncé de la Garantie Limitée. Si vous avez des questions, communiquez avec le fabricant.

Ne pas entreposer ni utiliser de produits chimiques corrosifs, vapeurs, substances inflammables ou produits non alimentaires à l'intérieur ou à proximité de l'appareil. Il a été spécialement conçu pour être utilisé pendant le chauffage et la cuisson des aliments. L'emploi de produits chimiques corrosifs pour chauffer ou nettoyer l'appareil endommagera ce dernier et peut provoquer des blessures.

---

### **AVERTISSEMENT**

---

Le non respect du mode de fonctionnement des boutons peut entraîner des lésions corporelles ou des dommages à l'appareil.

---

Cet appareil n'est pas prévu pour fonctionner avec un programmateur externe ou une télécommande externe.

Ne pas se servir de cet appareil s'il ne fonctionne pas correctement ou s'il est endommagé. Communiquer avec un réparateur autorisé.

Ne pas réparer ni remplacer toute pièce de l'appareil à moins que cela ne soit spécifiquement recommandé par ce manuel. Toute réparation doit être effectuée par un centre de réparation autorisé par l'usine.

Pour éviter les risques d'électrocution, avant de réparer l'appareil, mettre l'alimentation hors circuit au niveau du panneau de service et le verrouiller pour éviter toute mise en circuit accidentelle.

### **Avertissement issu de la proposition 65 :**

Ce produit pourrait contenir un produit chimique reconnu par l'État de la Californie comme cancérigène ou ayant des effets nocifs sur la reproduction. Par conséquent, l'emballage de votre produit pourrait porter l'étiquette suivante, comme requis par la Californie :

AVERTISSEMENT ISSU DE LA PROPOSITION 65 DE L'ÉTAT DE LA CALIFORNIE :

 **AVERTISSEMENT**  
Cancer et dommages à la reproduction  
[www.P65Warnings.ca.gov](http://www.P65Warnings.ca.gov)

---

## Causes des dommages

---

---

### AVIS

---

#### DOMMAGES DUS À LA CHALEUR SUR DES APPAREILS OU DES MEUBLES:

Une utilisation prolongée de l'appareil génère de la chaleur et de l'humidité. Une ventilation supplémentaire est alors nécessaire. Ouvrez une fenêtre ou mettez en marche une hotte communiquant avec l'extérieur.

---

---

### AVIS

---

#### ENDOMMAGEMENT DE L'APPAREIL DÛ À UNE ACCUMULATION DE CHALEUR :

Ne pas faire chauffer des cocottes ou des poêles sur plusieurs brûleurs en même temps.

---

---

### AVIS

---

#### DYSFONCTIONNEMENT :

Tournez toujours les boutons de commande sur la position zéro lorsque l'appareil n'est pas en service.

---

---

## Protection de l'environnement

---

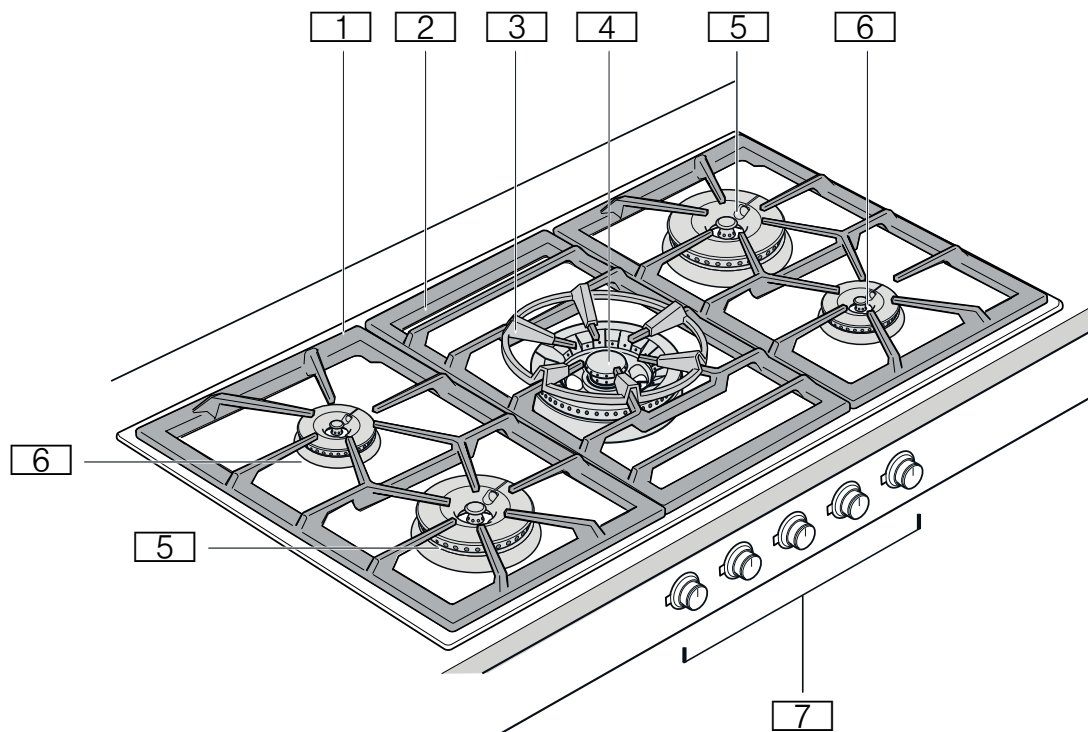
Vous trouverez ci-après des conseils permettant d'économiser de l'énergie et des informations relatives à l'élimination de l'appareil.

### Économies d'énergie

- Sélectionnez le brûleur adapté à la taille du récipient. Centrez bien le récipient.
- Pour de petites quantités, utilisez une petite casserole. Une grande casserole, peu remplie, nécessite beaucoup d'énergie.
- Couvrez toujours les récipients avec un couvercle approprié. La cuisson sans couvercle consomme considérablement plus d'énergie. Utilisez un couvercle en verre afin de pouvoir voir l'intérieur du récipient sans devoir soulever le couvercle.
- Faites cuire avec peu d'eau. Vous économiserez de l'énergie. Les vitamines et minéraux des légumes seront conservés.
- Réglez à temps à une puissance de cuisson inférieure. Vous économiserez ainsi de l'énergie.

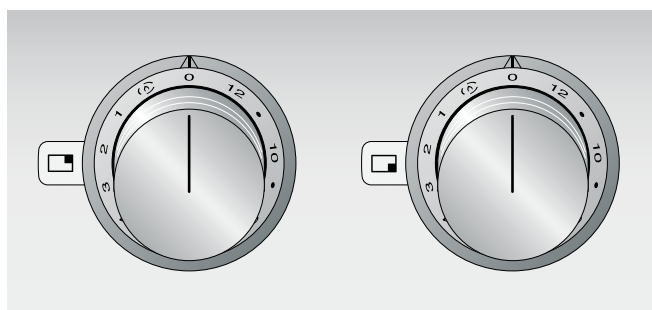
## Présentation de l'appareil

### Table de cuisson gaz



- 1 Orifices de ventilation (sous le support de casseroles)
- 2 Support de casseroles
- 3 Anneau pour wok
- 4 Brûleur pour wok 5,0 ou 5,5 kW  
17 000 ou 18 800 BTU/h
- 5 Brûleur rapide 4,0 kW 13 500 BTU/h
- 6 Brûleur standard 2,0 kW 7 000 BTU/h
- 7 Bouton de commande

### Manettes de commande



Les repères sur le bouton de commande indiquent l'affectation au brûleur concerné et le réglage des positions de chauffe 1 à 12 ou de la position mijotage (A)

- |                          |                      |
|--------------------------|----------------------|
| <input type="checkbox"/> | Foyer avant gauche   |
| <input type="checkbox"/> | Foyer arrière gauche |
| <input type="checkbox"/> | Foyer central (wok)  |
| <input type="checkbox"/> | Foyer arrière droit  |
| <input type="checkbox"/> | Foyer avant droit    |

## Anneau lumineux

Chaque bouton de commande est doté d'un anneau lumineux pouvant indiquer différents états.

| Affichage                                                    | Signification                                                                             |
|--------------------------------------------------------------|-------------------------------------------------------------------------------------------|
| ○ Désactivé                                                  | Appareil ÉTEINT                                                                           |
| ● Allumé en orange                                           | Appareil ALLUMÉ                                                                           |
| ☀ Clignotant en orange                                       | Appareil ÉTEINT<br>Indicateur de chaleur résiduelle                                       |
| ☀ Clignotant en alternance en orange et en blanc             | Coupure de sécurité, panne de courant                                                     |
| ☀ Clignotant en alternance en jaune et en magenta            | Défaut de l'appareil. Appelez le service après-vente !                                    |
| ● Clignotant pendant quelques secondes en vert puis en jaune | L'appareil s'initialise, uniquement après un premier raccordement ou une panne de courant |

## Accessoires spéciaux

Vous pouvez commander les accessoires suivants auprès de votre distributeur :

WP 400 001 Wok en matériau multicouche. Avec fond bombé et manche, Ø 36 cm (14¼"), 6 litres, hauteur 10 cm (4").

Utilisez l'accessoire seulement de la manière indiquée. Le fabricant n'est pas responsable de l'utilisation non conforme des accessoires.

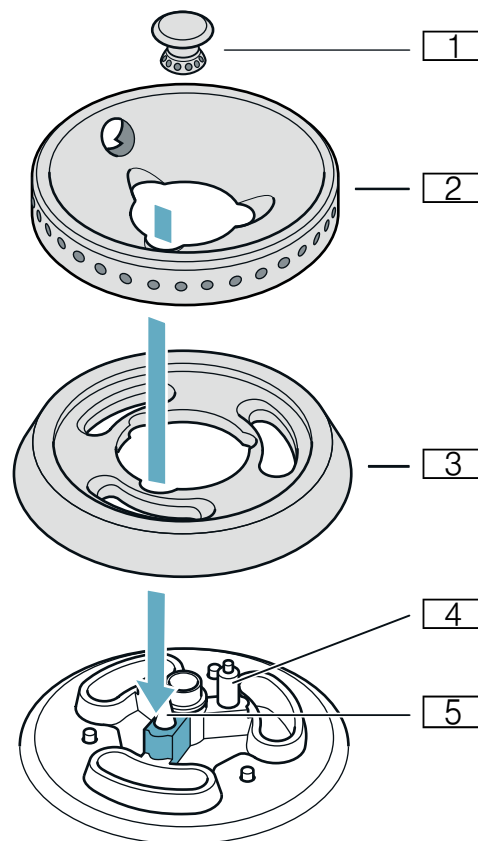
## Composants des brûleurs

Mettez les composants des brûleurs bien en place en veillant à ce qu'ils soient droits, sinon des dysfonctionnements risquent de se produire lors de l'allumage ou pendant le fonctionnement.

Placez la tête de brûleur et la couronne de brûleur de manière à ce que le taquet d'arrêt de la partie inférieure du brûleur s'encliquète dans les évidements correspondants. L'orientation de la tête de brûleur et de la couronne de brûleur importe peu.

**Remarque :** Si les composants du brûleur sont posés de travers, l'appareil ne fonctionne pas.

## Composants du brûleur standard et du brûleur rapide

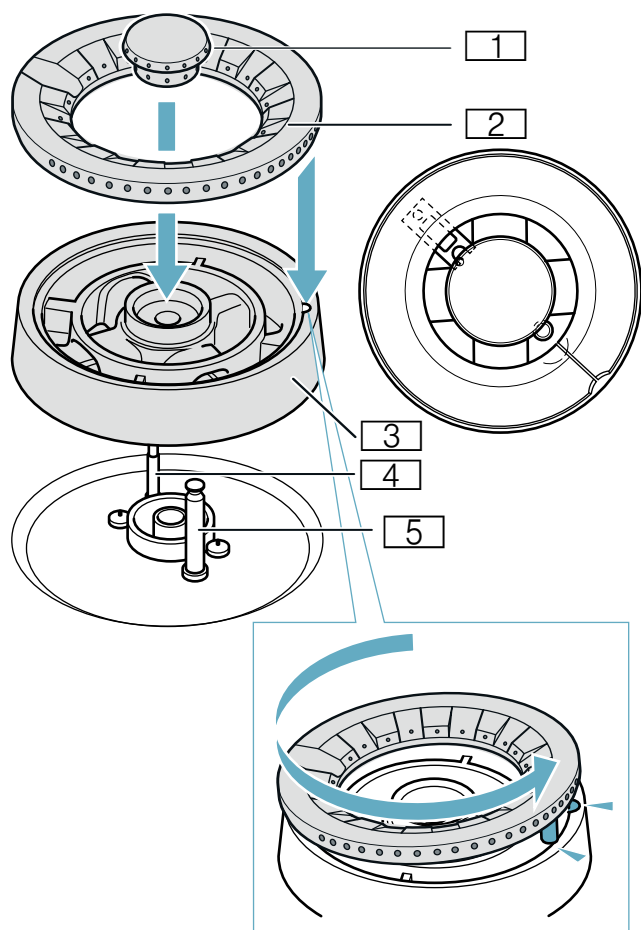


- 1 Chapeau de brûleur
- 2 Couronne de brûleur
- 3 Tête de brûleur
- 4 Bougie d'allumage
- 5 Thermocouple

## Composants du brûleur pour wok

Mettez les composants du brûleur pour wok bien en place en veillant à ce qu'ils soient droits, sinon des dysfonctionnements risquent de se produire lors de l'allumage ou pendant le fonctionnement. Positionnez la tête du brûleur de manière à ce que le thermocouple se trouve dans l'évidement prévu pour l'accueillir dans la tête du brûleur. Le taquet d'arrêt sur la couronne du brûleur doit s'enclencher dans l'évidement correspondant de la tête de brûleur.

**Remarque :** Si les composants du brûleur sont posés de travers, l'appareil ne fonctionne pas.



- 1 Chapeau de brûleur
- 2 Couronne de brûleur
- 3 Tête de brûleur
- 4 Thermocouple
- 5 Bougie d'allumage

## Utiliser l'appareil

### Remarques

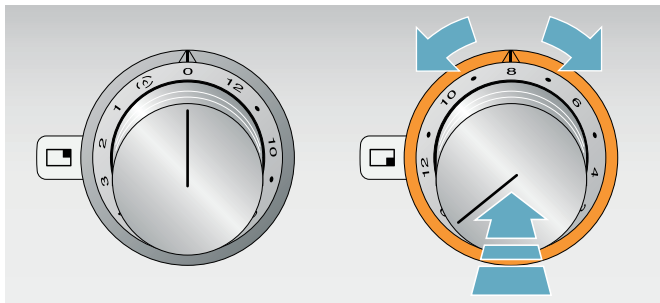
- Utilisez uniquement les accessoires prescrits. Ne couvrez pas la surface de cuisson en inox (p. ex., avec du papier d'aluminium).
- Les brûleurs et l'allumeur doivent être propres et secs.
- Allumez les brûleurs uniquement si le support de casseroles et toutes les parties de brûleur sont correctement posés.
- Lors de l'allumage d'un brûleur, une étincelle est générée sur tous les brûleurs.
- Ne touchez pas à l'allumeur pendant que l'appareil à gaz fonctionne.
- Veillez à une propreté maximale. Si les allumeurs sont encrassés, cela peut entraîner un allumage défectueux. Nettoyez régulièrement les allumeurs avec une petite brosse non métallique. Veillez à ne pas soumettre les allumeurs à des chocs importants.
- Pour cuisiner avec une poêle wok, vous devez placer l'adaptateur pour poêle wok sur le support de casserole au-dessus du brûleur wok. Lorsque vous cuisinez, veillez à ce que le wok repose en toute sécurité sur l'adaptateur pour wok.
- En passant de la puissance 3 à la puissance 4 ou supérieure, le brûleur atteint la puissance maximale un court instant. Cela permet d'optimiser l'allumage entre les brûleurs.
- Ne couvrez pas les ouvertures d'aération au dos de la table de cuisson au gaz.
- Lors de l'allumage du module de cuisson au gaz, l'électronique ouvre l'admission de gaz, ce qui produit un bruit bref. C'est normal.
- En cas de coupure de courant, l'appareil n'est pas opérationnel. L'admission de gaz est fermée.

## Mise en marche

Votre table de cuisson au gaz dispose d'un système d'allumage automatique rapide.

1. Posez un récipient de cuisson adapté sur la grille.
2. Enfoncez le bouton de commande du brûleur sélectionné et tournez-le vers la gauche ou la droite sur la position de chauffe souhaitée.

Le brûleur s'allume automatiquement.



Vous pouvez régler la position de chauffe en tournant le bouton de commande.

### AVERTISSEMENT

#### Risque de déflagration !

Si le brûleur ne s'allume pas au bout de 15 secondes, fermez le bouton de commande et ouvrez la porte ou la fenêtre de la pièce. Attendez au moins une minute avant de rallumer le brûleur.

## Position mijotage

En position mijotage, le brûleur allume et éteint la flamme. Vous pouvez ainsi, par exemple, faire fondre du chocolat ou faire chauffer des sauces délicates.

Tournez le bouton de commande sur (D). La durée d'allumage et d'extinction est de 10 à 50 secondes.

## Contrôle électronique de la flamme et ré-allumage automatique

Pour votre sécurité, la table de cuisson est équipée d'un contrôle électronique de la flamme. Si la flamme s'éteint en cours de service (p. ex. à cause d'un courant d'air), l'appareil rallume automatiquement le brûleur.

Si le ré-allumage devait échouer (p. ex. à cause de l'encrassement du brûleur par des aliments ayant débordé), l'appareil coupe l'arrivée de gaz. L'anneau lumineux derrière le bouton de commande clignote.

Tournez le bouton de commande sur 0. Attendez que l'appareil ait suffisamment refroidi et vérifiez si toutes les parties du brûleur sont bien positionnées. Vérifiez si le brûleur ou la bougie d'allumage est encrassé. → "Dérangements, Que faire si..." à la page 43

## Arrêt

Tournez le bouton de commande sur la position 0. L'électronique de l'appareil ferme l'arrivée de gaz.

## Indicateur de chaleur résiduelle

L'anneau lumineux derrière le bouton de commande clignote après l'extinction tant que l'appareil est trop chaud pour pouvoir le toucher sans danger.

## Coupure de sécurité

Pour votre protection, l'appareil est doté d'un interrupteur de sécurité. L'appareil s'éteint automatiquement en cas de fonctionnement prolongé. La durée de fonctionnement jusqu'à l'extinction dépend du réglage (niveau 12 = 1 heure, niveau 1 = 4 heures). L'anneau lumineux derrière le bouton de commande clignote alternativement en orange et en blanc.

Tournez le bouton de commande sur 0. Vous pourrez ensuite réutiliser l'appareil comme d'habitude.

## Tableau de réglage et conseils

| Position de chauffe         | Type de cuisson                   | Exemples                                        |
|-----------------------------|-----------------------------------|-------------------------------------------------|
| 12                          | Réchauffer                        | Eau, bouillons                                  |
|                             | Blanchir                          | Légumes                                         |
| 10 - 12                     | Saisir                            | Viande, plats au wok/<br>à la poêle             |
|                             | Cuire à haute température         | Viande, pommes de terre                         |
| 7 - 10                      | Poursuivre la cuisson à découvert | Liquides, pâtes                                 |
| 6 - 8                       | Cuisson de pain et de pâtisseries | Mets à base de farine                           |
|                             | Cuire à température moyenne       | Volaille, poisson                               |
| 4 - 6                       | Cuire à basse température         | Saucisses à rôtir, oignons, plats à base d'œufs |
|                             | Réchauffer                        | Légumes, soupes, potées/ragoûts                 |
|                             | Frيره                             | Frites, pâtisseries                             |
|                             | Cuire à découvert                 | Knödel/quenelles, saucisses à bouillir          |
| 3 - 4                       | Décongélation                     | Produits surgelés                               |
|                             | Braiser                           | Paupiettes, rôtis                               |
|                             | Étuver                            | Légumes                                         |
| 2 - 4                       | Poursuivre la cuisson à couvert   | Soupes, légumes                                 |
| Position mijotage jusqu'à 3 | Laisser gonfler                   | Riz, riz au lait, céréales                      |
| Position mijotage           | Fondre, maintenir au chaud        | Chocolat, beurre                                |

## Recommandations de brûleur

Pour les cuissons à basses températures et des temps de préparation plus longs (par ex. fondre, laisser gonfler, cuire), sélectionnez le brûleur standard ou le brûleur puissant (et non le brûleur pour wok).

Pour les cuissons à hautes températures et des temps de préparation plus courts (par ex. réchauffer, faire frire), sélectionnez le brûleur pour wok ou le brûleur puissant.

## Conseils pour la cuisson

Les valeurs du tableau de réglage sont indicatives, car selon la nature et l'état des mets ainsi que selon la taille et le degré remplissage du récipient de cuisson, il faut plus ou moins de chaleur.

La puissance élevée de la table permet de chauffer rapidement l'huile et les graisses. Ne laissez pas des mets à rôtir sans surveillance, la graisse peut s'enflammer et le mets peut brûler.

## Conseils pour la cuisson au wok

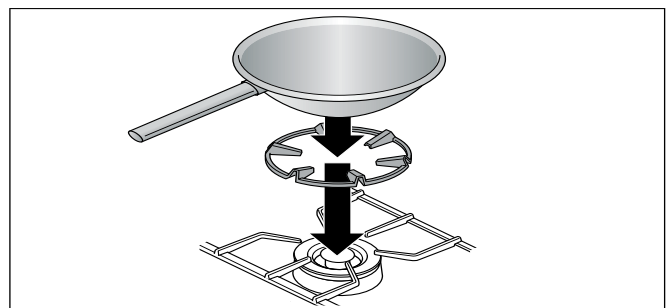
**Remarque :** Pour cuisiner avec un wok, vous devez placer l'adaptateur pour wok sur le support de casserole au-dessus du brûleur pour wok. Lorsque vous cuisinez, veillez à ce que le wok repose en toute sécurité sur l'adaptateur pour wok.

Nous recommandons les wok à fond bombé. Vous pouvez commander un wok de qualité supérieure comme accessoire spécial (WP 400 001).

Pour la cuisson au wok, n'utilisez que de l'huile haute température, p. ex. de l'huile d'arachides.

Cuisez les aliments à feu vif en les remuant continuellement et pas trop longtemps. Les légumes doivent être juste al dente.

Pour remuer et sortir les aliments, utilisez de préférence une louche plate à long manche en matériau résistant à la chaleur.



## Indications relatives aux récipients

Les indications suivantes vous aident à économiser de l'énergie et à éviter d'endommager les récipients.

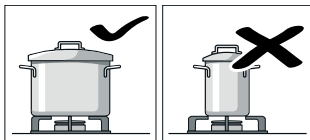
### Récipients de cuisson adaptés

| Brûleurs         | Diamètre recommandé du fond du récipient | Diamètre minimal du fond du récipient |
|------------------|------------------------------------------|---------------------------------------|
| Brûleur standard | 200 mm - 240 mm (8 - 9½")                | 90 mm (3½")                           |
| Brûleur rapide   | 240 mm - 280 mm (9½ - 11")               | 90 mm (3½")                           |
| Brûleur wok      | 240 mm - 320 mm (9½ - 12½")              | 160 mm (6½")                          |

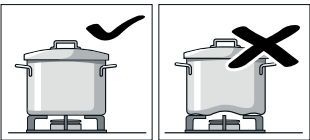
Utilisez le wok uniquement avec l'adaptateur pour poêle wok.

Il est conseillé de ne pas utiliser de casseroles dont le diamètre est inférieur à 90 mm (3½") ou supérieur à 280 mm (11") (320 mm (12½") pour le brûleur wok). Si vous utilisez des casseroles plus grandes, celles-ci ne doivent pas dépasser la largeur de l'appareil.

### Conseils d'utilisation

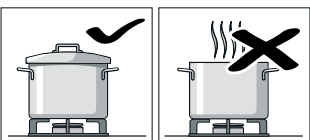


Utilisez des récipients de cuisson dont la taille est adaptée au brûleur. N'utilisez pas de petits récipients de cuisson sur les grands brûleurs. La flamme ne doit pas remonter sur les côtés des récipients de cuisson.

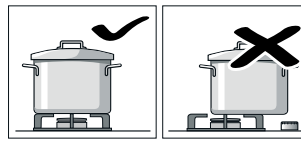


N'utilisez pas de récipients de cuisson déformés qui ne reposent pas bien à plat sur la table de cuisson. Les récipients peuvent basculer.

Utilisez seulement des récipients de cuisson à fond plat et épais.

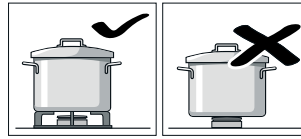


Ne faites pas cuire sans couvercle ou avec le couvercle mal positionné. Cela entraîne un important gaspillage d'énergie.



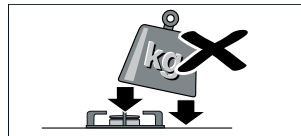
Centrez bien le récipient de cuisson au-dessus du brûleur, sinon il risque de basculer.

Ne placez pas de grandes casseroles sur les brûleurs situés près des commandes, ces dernières pourraient surchauffer et être endommagées.

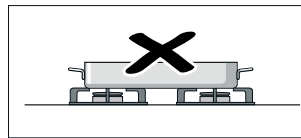


Posez les casseroles sur les grilles porte-casseroles, jamais directement sur les brûleurs.

Avant utilisation, assurez-vous que les grilles porte-casseroles et les chapeaux des brûleurs à gaz sont bien en place.



Manipulez avec précaution les récipients se trouvant sur la table de cuisson. Ne donnez pas de coups sur la table de cuisson et n'y posez pas d'objets lourds.



Ne faites jamais chauffer un récipient de cuisson (cocotte, poêle, pierre à griller) avec plusieurs brûleurs, car il en résulterait une accumulation de chaleur qui endommagerait l'appareil.



---

## Nettoyage et entretien

---

### AVERTISSEMENT

#### Risque de choc électrique !

La pénétration d'humidité peut provoquer un choc électrique. Ne pas utiliser de nettoyeur à haute pression ou à vapeur.

---

### AVERTISSEMENT

#### Risque de brûlure !

Les parties accessibles chauffent lorsque la table est allumée. Ne touchez jamais aux parties très chaudes. Tenez les enfants à distance.

---

### AVIS

#### ENDOMMAGEMENT DE LA SURFACE :

N'utilisez pas ces produits de nettoyage

- Produits de nettoyage abrasifs ou agressifs
- Produits de nettoyage pour four
- Produits de nettoyage corrosifs, contenant du chlore ou agressif
- Produits de nettoyage fortement alcoolisés
- Éponges de lavage, brosses ou tampons à récurer durs ou abrasifs

Si un tel produit se répand sur l'appareil, essuyez-le immédiatement avec de l'eau.

Rincez toujours soigneusement les chiffons de nettoyage neufs avant de les utiliser.

---

## Nettoyage de l'appareil

Nettoyez l'appareil après chaque utilisation, quand il est refroidi. Essuyez immédiatement les liquides ayant débordé, ne laissez pas les restes d'aliments brûler.

Maintenez les orifices de ventilation propres sous le support de casseroles. Les orifices de ventilation ne doivent pas être recouverts.

Séchez soigneusement les brûleurs après le nettoyage. Mettez uniquement l'appareil en service lorsque les brûleurs sont bien secs. Les brûleurs humides entraînent des problèmes lors de l'allumage ou une flamme instable.

Lors de l'assemblage, veillez à la position correcte des parties de brûleur (taquets d'arrêt). Toutes les parties doivent être droites.

---

### Élément de l'appareil/ Surface

---

Surfaces en inox Eau additionnée de liquide à vaisselle – sécher avec un chiffon doux. N'utiliser que peu d'eau pour le nettoyage, l'eau ne doit pas pénétrer dans l'appareil.

Faites ramollir les parties carbonisées avec un peu d'eau et de liquide vaisselle, ne frottez pas pour les enlever.

Éliminez les salissures incrustées ou la coloration jaune due à la chaleur avec notre produit de nettoyage pour surfaces en inox (référence 00311499).

---

Support de casseroles Retirez-le avec précaution pour le nettoyage. Laissez-le tremper dans l'évier. Nettoyez-le avec une brosse de lavage et du liquide vaisselle.

Nettoyez-le avec précaution au niveau des tampons en caoutchouc pour éviter de les détacher.

Rincez-le à l'eau claire et séchez-le avant de le remettre en place.

#### **Ne le mettez pas au lave-vaisselle !**

---

Parties du brûleur Eau additionnée de liquide à vaisselle – sécher avec un chiffon doux. Veillez à ce que les orifices ne soient pas colmatés.

Veillez à ne pas perdre les petites pièces.

#### **Ne les mettez pas au lave-vaisselle !**

---

Bouton de commande Eau additionnée de liquide à vaisselle – le chiffon ne doit pas être trop mouillé. Séchez ensuite avec un chiffon doux.

---

## Salissures brûlées

Pour les salissures tenaces et brûlées, vous pouvez vous procurer un gel nettoyant dans notre boutique en ligne, auprès de votre revendeur ou de notre service après-vente (référence 00311859). Il convient aux supports de casserole et la surface de cuisson en inox. Si nécessaire, laissez agir sur les salissures pendant la nuit. Respectez les consignes indiquées sur le nettoyant.

---

### **AVIS**

---

#### DOMMAGES SUR LA SURFACE -

Ne pas utiliser le gel nettoyant sur les parties des brûleurs.

---

## Décoloration des brûleurs

Après une utilisation prolongée, les parties des brûleurs en laiton prennent une couleur foncée par oxydation naturelle. Le changement de couleur n'a aucun impact sur la fonctionnalité.

## Dérangements, Que faire si...

Dans de nombreux cas, vous pourrez remédier vous-même facilement aux anomalies. Avant de contactez le service après-vente, veuillez vérifier les points suivants :

### AVERTISSEMENT

#### Risque de choc électrique !

Les réparations non-conformes sont source de danger. Les réparations doivent être faites exclusivement par un technicien après-vente formé par nos soins. Si l'appareil est défectueux, débranchez la fiche d'alimentation secteur ou désactivez le coupe-circuit concerné sur le tableau électrique. Appelez le service après-vente.

| Anomalie                                                                                                                                                                                                                                                     | Cause possible                                                      | Solution                                                                                                                                                                                                                                                                                                                                                                                                                                                                                                                                                                                                     |
|--------------------------------------------------------------------------------------------------------------------------------------------------------------------------------------------------------------------------------------------------------------|---------------------------------------------------------------------|--------------------------------------------------------------------------------------------------------------------------------------------------------------------------------------------------------------------------------------------------------------------------------------------------------------------------------------------------------------------------------------------------------------------------------------------------------------------------------------------------------------------------------------------------------------------------------------------------------------|
| Le brûleur ne s'allume pas lors de la mise en marche.                                                                                                                                                                                                        | Pas d'alimentation électrique.                                      | Tournez tous les boutons de commande sur 0. Vérifiez dans le coffret à fusibles si le fusible s'est déclenché.                                                                                                                                                                                                                                                                                                                                                                                                                                                                                               |
| Le brûleur ne s'allume pas lors de la mise en marche.<br>L'anneau lumineux derrière le bouton de commande clignote alternativement en orange et en blanc.                                                                                                    | Dysfonctionnement au niveau du brûleur ou de l'alimentation en gaz. | Tournez tous les boutons de commande sur 0.<br><br><b>À contrôler :</b> <ul style="list-style-type: none"> <li>• Composants du brûleur correctement posés?</li> <li>• Robinet d'arrivée de gaz ouvert ?</li> <li>• Brûleurs propres et secs ?</li> <li>• Présence d'air dans la conduite après le premier raccordement ou un changement de bouteille de gaz (butane/propane) ?</li> <li>• Bouteille de gaz vide (butane/propane) ?</li> </ul>                                                                                                                                                                |
| Le brûleur ne s'allume pas lors de la mise en marche.<br><br>Tous les anneaux lumineux derrière les boutons de commande s'allument en blanc pendant 10 secondes après l'allumage. Ensuite, l'anneau lumineux du bouton de commande actif s'allume en orange. | Le mode démo est activé.                                            | Désactivez le mode démo.                                                                                                                                                                                                                                                                                                                                                                                                                                                                                                                                                                                     |
| Le brûleur ne s'allume pas lors de la mise en marche.<br><br>L'anneau lumineux derrière le bouton de commande clignote en alternance en jaune et en magenta.                                                                                                 | Défaut électronique                                                 | Tournez tous les boutons de commande sur 0 et débranchez l'appareil du secteur pendant une minute (désactivez le fusible ou tirez la fiche).<br><br>Branchez de nouveau l'appareil. Les anneaux lumineux des boutons de commande s'allument pendant quelques secondes en vert, puis en jaune. Attendez que les anneaux lumineux s'éteignent. Ensuite, tournez n'importe quel bouton de commande sur un niveau de cuisson quelconque, puis à nouveau sur 0.<br><br>Mettez le brûleur en marche. Si l'anneau lumineux clignote à nouveau en alternance en jaune et en magenta, appelez le service après-vente. |

|                                                                                                                                                    |                                                                                                                            |                                                                                                      |
|----------------------------------------------------------------------------------------------------------------------------------------------------|----------------------------------------------------------------------------------------------------------------------------|------------------------------------------------------------------------------------------------------|
| Le brûleur s'éteint pendant le fonctionnement.<br>L'anneau lumineux derrière le bouton de commande clignote alternativement en orange et en blanc. | Coupure de sécurité :<br>Aucune commande n'a été effectuée pendant une durée prolongée.                                    | Tournez tous les boutons de commande sur 0, puis rallumez si nécessaire.                             |
| Le brûleur s'éteint pendant le fonctionnement.<br>L'anneau lumineux derrière le bouton de commande clignote alternativement en orange et en blanc. | Coupure de courant dans la maison :<br>Pour des raisons de sécurité, l'appareil reste éteint après une coupure de courant. | Tournez tous les boutons de commande sur 0, puis rallumez si nécessaire.                             |
| Il y a une odeur de gaz dans la cuisine.                                                                                                           | Point non étanche possible au niveau de la bouteille de gaz.                                                               | Assurez-vous de l'étanchéité de la bouteille de gaz. Ouvrez les fenêtres et aérez en grand la pièce. |
| Les coins de l'appareil se courbent légèrement vers le haut pendant le fonctionnement.                                                             | Le métal du module de cuisson se dilate en raison de la chaleur.                                                           | C'est normal. Une fois le métal refroidi, aucune déformation n'est visible.                          |

### Remarques

- Chaque mise sous tension ou coupure de courant est suivie d'un bruit spécifique, étant donné que les vannes d'arrivée de gaz sont initialisées. Les anneaux lumineux des boutons de commande s'allument pendant quelques secondes en vert, puis en jaune. Attendez que les anneaux lumineux s'éteignent.
- Lors de l'allumage du module de cuisson au gaz, l'électronique ouvre l'arrivée de gaz, ce qui produit un bruit bref. La modification du réglage de puissance génère également un bruit. C'est normal.

## Mode démonstration

Le mode démo est activé si tous les anneaux lumineux des boutons de commande restent allumés en blanc pendant 10 secondes après l'allumage. Le brûleur ne s'allume pas. L'anneau lumineux du bouton de commande actif s'allume en orange.

**Vous pouvez désactiver le mode démo comme suit :**

1. Tournez tous les boutons de commande sur 0. Débranchez l'appareil du réseau électrique. Patientez au moins 30 secondes.
2. Branchez de nouveau l'appareil. Les anneaux lumineux des boutons de commande s'allument pendant quelques secondes en vert, puis en jaune. Attendez que les anneaux lumineux s'éteignent.
3. Désactivez ensuite le mode démo dans les 3 minutes dans les réglages de base comme suit : Tournez n'importe quel bouton de commande vers la gauche, sur la position 12.
4. Tournez le bouton de commande de droite sur la position 1.
5. Tournez le bouton de commande de gauche sur la position 0.  
Patientez jusqu'à ce que l'anneau lumineux s'allume en jaune.
6. Tournez le bouton de commande de droite sur la position 1. L'anneau lumineux s'allume en vert.  
Patientez 5 secondes. L'anneau lumineux devient jaune.

Le mode démo a été désactivé. **Pour enregistrer le réglage, quittez impérativement le menu comme suit :**

7. Tournez le bouton de commande sur 0. Ensuite, tournez le bouton de commande vers la gauche, sur la position 12. Tournez le bouton de commande vers la droite sur la position 1. Tournez le bouton de commande vers la gauche sur la position 0. Patientez jusqu'à ce que l'anneau lumineux s'éteigne.

---

## Service après-vente

---

Si votre appareil doit être réparé, notre service après-vente est à votre disposition. Nous trouvons toujours une solution adaptée, y compris pour éviter les visites inutiles de techniciens.

Lors de votre appel, indiquez le numéro du produit (n° E) et le numéro de série (n° FD) afin que nous puissions vous donner une réponse précise. La plaquette d'identification comportant ces numéros se trouve sur le dessous de l'appareil. Pour ne pas avoir à chercher en cas de besoin, vous pouvez inscrire ici les références de l'appareil et le numéro de téléphone du service après-vente.

| N° E                         | N° FD |
|------------------------------|-------|
| <b>Service après-vente</b> ☎ |       |

Veillez lire le mode d'emploi et les directives d'entretien fournis avec l'appareil. Tout manquement à cette consigne pourrait entraîner une erreur à l'utilisation de l'appareil et des demandes de réparations inutiles, qui pourraient ne pas être sous garantie.

Vous trouverez les données de contact pour tous les pays dans l'annuaire ci-joint du service après-vente.

### **Demande de réparation et conseils en cas de dysfonctionnement**

**CA** 877 442 4436  
toll-free

# Contenido

|                                                         |           |
|---------------------------------------------------------|-----------|
| <b>▲ Definiciones de seguridad</b>                      | <b>47</b> |
| <b>INSTRUCCIONES DE SEGURIDAD IMPORTANTES</b>           | <b>48</b> |
| Seguridad para evitar incendios                         | 50        |
| Seguridad con el gas                                    | 51        |
| Prevención de quemaduras                                | 53        |
| Seguridad de los niños                                  | 53        |
| Seguridad en la limpieza                                | 54        |
| Seguridad en los utensilios de cocina                   | 55        |
| Instalación y mantenimiento adecuados                   | 55        |
| Advertencia en virtud de la Proposición 65:             | 56        |
| <b>Causas para los daños</b>                            | <b>57</b> |
| <b>Protección del medio ambiente</b>                    | <b>57</b> |
| Ahorro de energía                                       | 57        |
| <b>Presentación del aparato</b>                         | <b>58</b> |
| Placa de cocción de gas                                 | 58        |
| Perilla de mando                                        | 58        |
| Indicación en el anillo luminoso                        | 59        |
| Accesorios especiales                                   | 59        |
| Componentes de los quemadores                           | 59        |
| Componentes del quemador wok                            | 60        |
| <b>Manejo del electrodoméstico</b>                      | <b>60</b> |
| Conectar                                                | 61        |
| Fuego lento                                             | 61        |
| Control electrónico de la llama y reignición automática | 61        |
| Apagar                                                  | 61        |
| Visualización del calor restante                        | 61        |
| Desconexión de seguridad                                | 61        |
| <b>Tabla de ajustes y consejos</b>                      | <b>62</b> |
| Recomendación sobre los quemadores                      | 62        |
| Consejos para cocer y asar                              | 62        |
| Consejos para el wok                                    | 62        |
| <b>Consejos para el uso de recipientes</b>              | <b>63</b> |
| Ollas de adecuadas para cocer                           | 63        |
| Instrucciones de uso                                    | 63        |
| <b>Cuidados y limpieza</b>                              | <b>64</b> |
| Limpiar el aparato                                      | 64        |
| Suciedad quemada                                        | 65        |
| Decoloración de los quemadores                          | 65        |

|                                        |           |
|----------------------------------------|-----------|
| <b>¿Qué hacer en caso de avería?</b>   | <b>66</b> |
| Modo Demo                              | 68        |
| <b>Servicio de atención al cliente</b> | <b>68</b> |

Encontrará más información sobre productos, accesorios, piezas de repuesto y servicios en internet: [www.gaggenau.com](http://www.gaggenau.com) y también en la tienda online: [www.gaggenau.com/zz/store](http://www.gaggenau.com/zz/store)

---

**⚠ Definiciones de seguridad**

---

---

**⚠ ADVERTENCIA**

---

Esto indica que pueden producirse heridas graves o incluso la muerte si no se cumple con esta advertencia.

---

---

**⚠ ATENCION**

---

Esto indica que pueden producirse heridas leves o moderadas si no se cumple con esta advertencia.

---

---

**AVISO**

---

Esto indica que pueden producirse daños en el aparato o en los bienes si no se cumple con este aviso.

---

**Nota:** Esto alerta sobre información o sugerencias importantes.



# INSTRUCCIONES DE SEGURIDAD IMPORTANTES

LEA Y CONSERVE ESTAS INSTRUCCIONES

## **⚠ ADVERTENCIA:**

Si la información en estas instrucciones no se sigue con precisión, se puede producir un incendio o una explosión ocasionando daños a la propiedad, lesiones a las personas o incluso la muerte.

- No almacene ni use gasolina u otros vapores y líquidos inflamables en la proximidad de este aparato o cualquier otro.
- **QUÉ HACER SI DETECTA OLOR A GAS**
  - No trate de encender ningún aparato.
  - No toque ningún interruptor eléctrico.
  - No utilice ningún teléfono en su edificio.
  - Llame inmediatamente a su proveedor de gas desde un teléfono vecino. Siga las instrucciones del proveedor de gas.
  - Si no puede contactar a su proveedor de gas, comuníquese con el departamento de bomberos.
- La instalación y el servicio deben ser llevados a cabo por un instalador calificado, agencia de servicio o el proveedor de gas.





# **INSTRUCCIONES DE SEGURIDAD IMPORTANTES**

LEA Y CONSERVE ESTAS INSTRUCCIONES

## **⚠ ADVERTENCIA:**

**No poner a funcionar nunca la sección superior de la superficie de cocción del aparato sin vigilancia.**

- **El incumplimiento de esta advertencia podría dar lugar a incendios, explosiones o quemaduras que podrían causar daños materiales, personales e incluso la muerte.**
- **Si se produce un incendio, mantenerse alejado del aparato y llamar de inmediato al departamento de bomberos.**

**NO INTENTAR EXTINGUIR CON AGUA UN INCENDIO PROVOCADO POR ACEITE O GRASA.**



# INSTRUCCIONES DE SEGURIDAD IMPORTANTES

LEA Y CONSERVE ESTAS INSTRUCCIONES

## Seguridad para evitar incendios

Conserve estas instrucciones.

Programe el control de la hornilla, de manera que la llama no se extienda fuera de la base de la olla.

No deje que papel de aluminio, plástico, papel ni tela entren en contacto con un elemento de la superficie, una hornilla o una rejilla calientes. No deje ollas hirviendo sin líquido.

Si la placa está cerca de una ventana, una ventilación o un ventilador de aire forzado, asegúrese de que los materiales inflamables, como los elementos utilizados para cubrir una ventana, no se aproximen a las hornillas o a los elementos ni se extiendan sobre estos. Podrían prenderse fuego.

Siempre tenga un detector de humo en funcionamiento cerca de la cocina.

Nunca deje la placa sin vigilancia cuando esté en uso. Los derrames por hervor causan humo y las salpicaduras grasosas pueden prenderse fuego.



---

## ADVERTENCIA

---

PARA REDUCIR EL RIESGO DE INCENDIO OCASIONADO POR GRASA:

1. Nunca deje las unidades de la superficie sin vigilancia a valores altos. Los derrames por hervor causan humo y salpicaduras grasosas que pueden prenderse fuego. Caliente los aceites despacio, a valores bajos o medianos.
  2. Siempre encienda la campana al cocinar a un valor de calor alto o al flambear alimentos (p. ej., Crepas Suzette, cerezas Jubilee, carne flambeada con granos de pimienta).
  3. Limpie los ventiladores extractores con frecuencia. No se debe permitir la acumulación de grasa en los ventiladores ni en los filtros.
  4. Use el tamaño adecuado de olla. Siempre use utensilios de cocina apropiados para el tamaño del elemento de la superficie.
- 

En el caso de que su ropa se prenda fuego, arrójese al piso y ruede de inmediato para extinguir las llamas.

Sofoque las llamas provocadas por alimentos que se prenden fuego, que no sean incendios ocasionados por grasa, con bicarbonato de sodio. Nunca use agua en incendios ocasionados al cocinar.



# INSTRUCCIONES DE SEGURIDAD IMPORTANTES

LEA Y CONSERVE ESTAS INSTRUCCIONES

Tenga cuidado de que las corrientes de aire como las que producen los ventiladores o las ventilaciones de aire forzado no empujen las llamas de manera que se extiendan fuera de los bordes de la olla.

Tenga un extinguidor de incendio disponible, cerca, en un área fácilmente visible y accesible, cerca del electrodoméstico.



## ADVERTENCIA

PARA REDUCIR EL RIESGO DE LESIONES A PERSONAS EN CASO DE INCENDIO OCASIONADO POR GRASA, SIGA ESTAS INDICACIONES:

1. SOFOQUE LAS LLAMAS con una tapa que ajuste correctamente, una placa para galletas u otra bandeja de metal, luego, apague el electrodoméstico. ASEGÚRESE DE PREVENIR LAS QUEMADURAS. Si las llamas no se apagan de inmediato, EVACUE EL ÁREA Y LLAME AL DEPARTAMENTO DE BOMBEROS.
2. NUNCA LEVANTE UNA OLLA EN LLAMAS. Puede quemarse.
3. NO USE AGUA, ni repasadores o toallas húmedos. Puede ocasionar una violenta explosión por vapor.
4. Use un extinguidor sólo si:
  - Sabe que tiene un extinguidor CLASE ABC y ya sabe cómo usarlo.
  - El incendio es pequeño y se limita al área donde se originó.

- Alguien llamó al departamento de bomberos.
- Puede combatir el incendio de espaldas a una salida.

---

Si es posible, no ponga el sistema de ventilación en funcionamiento si hay un incendio en la placa. Pero no atravesese el fuego con la mano para apagarla.

## Seguridad con el gas

Para prevenir la acumulación de monóxido de carbono, no bloquee los orificios de ventilación del electrodoméstico.

Haga que el instalador le muestre dónde está ubicada la válvula de paso de gas.

Para un funcionamiento adecuado de la hornilla, mantenga los encendedores limpios y secos.

Si se apaga una hornilla y se escapa gas, abra las ventanas y las puertas. Espere hasta que el gas se disipe antes de utilizar el electrodoméstico.

## ADVERTENCIA DE SEGURIDAD

**IMPORTANTE:** La combustión de gas como combustible para cocinar genera algunos subproductos que se encuentran en la lista de sustancias que el estado de California sabe causan cáncer o daños reproductivos. Para minimizar la exposición a estas sustancias, siempre haga funcionar esta unidad según las instrucciones que contiene este manual y permita una buena ventilación.

# INSTRUCCIONES DE SEGURIDAD IMPORTANTES

LEA Y CONSERVE ESTAS INSTRUCCIONES

---

## ADVERTENCIA

Todos los encendedores producen chispas cuando se enciende cualquiera de las hornillas. No toque ninguna de las hornillas cuando la placa está en uso.

---

Si siente olor a gas, su instalador no ha verificado adecuadamente que no haya fugas. Si las conexiones no se encuentran perfectamente apretadas, puede haber una pequeña fuga y, por lo tanto, un olor leve. Encontrar una fuga de gas no es un procedimiento "para que realice usted solo". Algunas fugas sólo pueden detectarse con el control de la hornilla en la posición ON (Encendido) y esto debe realizarlo un técnico de servicio calificado. Vea Advertencia,

---

## ADVERTENCIA

Para prevenir llamaradas, todas las rejillas deben estar bien ubicadas en la placa cuando la placa está en uso. Cada una de las patas debe estar colocada en los hoyuelos correspondientes de la placa. No utilice una rejilla si faltan las patas de hule o están dañadas.

---

Mantenga los agujeros del encendedor limpios, a fin de asegurar que las hornillas se enciendan de manera adecuada. Es necesario limpiarlos cuando se produce un derrame por hervor o cuando la hornilla no enciende aunque los encendedores eléctricos hacen clic.

---

## ADVERTENCIA

Para prevenir llamaradas, no utilice la placa sin todas las tapas de la hornilla y con todas las rejillas de la hornilla bien ubicadas.

---

---

## ADVERTENCIA

No limpie ni toque ninguna hornilla cuando se esté usando una hornilla con un valor de calor extrabajo (si viene incorporada). Cuando la hornilla hornilla con un valor de calor extrabajo vuelva a prenderse fuego automáticamente, el encendedor que se encuentra en la hornilla producirá chispas.

---

---

## ADVERTENCIA

Utilice este electrodoméstico sólo para su uso previsto, según se describe en este manual. NUNCA utilice este electrodoméstico como calentador de ambiente para calentar o calefaccionar la habitación. Hacerlo puede ocasionar intoxicación por monóxido de carbono y calentamiento excesivo del electrodoméstico. Nunca utilice el electrodoméstico para almacenar objetos.

---



# INSTRUCCIONES DE SEGURIDAD IMPORTANTES

LEA Y CONSERVE ESTAS INSTRUCCIONES



## ADVERTENCIA

NUNCA cubra ranuras, orificios ni conductos en la parte inferior del horno ni cubra toda una rejilla con materiales como papel de aluminio. Al hacerlo, se bloquea el flujo de aire a través del horno y esto podría causar intoxicación por monóxido de carbono. Los revestimientos de papel de aluminio también pueden atrapar el calor y causar un peligro de incendio.

## Prevención de quemaduras

**NO TOQUE LAS UNIDADES DE LAS SUPERFICIES NI LAS ÁREAS CERCANAS A LAS UNIDADES.** Las unidades de la superficie pueden estar calientes, aunque su color sea oscuro. Las áreas cercanas a las unidades de la superficie pueden calentarse lo suficiente como para ocasionar quemaduras. Durante el uso y con posterioridad, no toque las unidades de la superficie o áreas cercanas a las unidades, ni deje que su ropa, agarradores ni otros materiales inflamables entren en contacto con estos hasta que haya transcurrido el tiempo suficiente para que se enfríen. Entre estas áreas, se encuentran la placa y las áreas que miran hacia la placa.

No caliente recipientes de alimentos sin abrir. La acumulación de presión puede hacer explotar el recipiente y causar lesiones.

Siempre encienda la campana al cocinar a un valor de calor alto o al flambear alimentos (p. ej., Crepas Suzette, cerezas Jubilee, carne flambeada con granos de pimienta).

Use valores de calor altos en la placa sólo cuando sea necesario. Para evitar burbujas y salpicaduras, caliente el aceite despacio, a un valor bajo-mediano, como máximo. El aceite caliente puede provocar quemaduras y lesiones de extrema gravedad.

Nunca mueva un recipiente con aceite caliente, especialmente una freidora. Espere hasta que se haya enfriado.

Sujétese todas las prendas, etc. antes de comenzar. Sujétese el cabello largo de manera que no quede suelto, y no use prendas holgadas o sueltas, como corbatas, bufandas, joyas o mangas amplias.

## Seguridad de los niños

Cuando los niños tienen la edad adecuada para utilizar el electrodoméstico, es responsabilidad de los padres o tutores legales asegurarse de que reciban las instrucciones sobre prácticas seguras por parte de personas calificadas.

No deje que nadie se suba, pare, incline, siente o cuelgue de cualquier parte de un electrodoméstico, especialmente una puerta, cajón calentador o cajón para almacenamiento. Esto puede dañar el electrodoméstico, y la unidad puede caerse y, posiblemente, causar lesiones graves.



# INSTRUCCIONES DE SEGURIDAD IMPORTANTES

LEA Y CONSERVE ESTAS INSTRUCCIONES

No permita que niños utilicen este electrodoméstico, a menos que sean supervisados de cerca por un adulto. Los niños y las mascotas no deben quedar solos o sin vigilancia en el área donde se utilice el electrodoméstico. Nunca se les debe permitir jugar cerca del electrodoméstico, independientemente de que esté en funcionamiento o no.



## ATENCIÓN

Los objetos de interés para niños no deben almacenarse en un electrodoméstico, en gabinetes sobre un electrodoméstico ni en la placa antisalpicaduras. Si los niños se suben a un electrodoméstico para alcanzar estos objetos, podrían sufrir lesiones graves.

## Seguridad en la limpieza

### ADVERTENCIA DE SEGURIDAD

IMPORTANTE: la Ley de Aplicación de Reglamentación sobre Agua Potable Segura y Sustancias Tóxicas de California (California Safe Drinking Water and Toxic Enforcement Act) exige al Gobernador de California publicar una lista de sustancias que el estado sabe causan cáncer, defectos congénitos u otros daños reproductivos, y exige a las empresas advertir a los clientes de la posible exposición a dichas sustancias. La combustión de gas como combustible para cocinar y la eliminación de residuos durante el proceso de autolimpieza pueden generar algunos subproductos que se encuentran en la lista. Para

minimizar la exposición a estas sustancias, siempre haga funcionar esta unidad según las instrucciones que contiene este manual y permita una buena ventilación.



## ADVERTENCIA

La combustión de gas como combustible para cocinar puede generar pequeñas cantidades de monóxido de carbono, benceno, formaldehído y hollín. Para minimizar la exposición a estas sustancias, las hornillas deben ser ajustadas por un instalador o una agencia certificados, a fin de asegurar la combustión adecuada. Asegure una ventilación adecuada con una ventana abierta o utilice un ventilador o una campana de ventilación al cocinar con gas. Siempre haga funcionar la unidad según las instrucciones de este manual.

No bloquee la(s) ventilación (ventilaciones) del horno durante el ciclo de autolimpieza. Siempre haga funcionar la unidad según las instrucciones de este manual.

Después de un derrame o derrame por hervor, apague la hornilla y deje que la placa se enfríe. Limpie alrededor de la hornilla y de los agujeros de la hornilla. Después de limpiar, verifique que funcione de manera adecuada.



# INSTRUCCIONES DE SEGURIDAD IMPORTANTES

LEA Y CONSERVE ESTAS INSTRUCCIONES

## Seguridad en los utensilios de cocina

Sostenga el mango de la olla cuando revuelva o dé vuelta los alimentos. Esto ayuda a evitar salpicaduras y a prevenir el movimiento de la olla.

Utilice el tamaño de olla adecuado. El uso de utensilios de cocina más pequeños deja expuesta al contacto directo una parte del elemento de calentamiento o de la hornilla, y puede ocasionar la ignición de la ropa. Seleccione utensilios de cocina con bases planas y lo suficientemente grandes para que cubran la unidad de calentamiento de la superficie. Este electrodoméstico está equipado con una o más unidades de superficie de diferente tamaño. La proporción correcta del utensilio de cocina con respecto al elemento de calentamiento o la hornilla también aumenta la eficiencia.

Siempre coloque los mangos de los utensilios hacia adentro, de manera que no se extiendan sobre las áreas de trabajo adyacentes ni sobre el borde de la placa. Esto reduce el riesgo de incendios, derrames y quemaduras.

Ajuste el tamaño de la llama de la hornilla, de manera que no se extienda fuera del borde de los utensilios de cocina. La proporción correcta del utensilio de cocina con respecto a la llama de la hornilla reduce los riesgos de seguridad.

## Instalación y mantenimiento adecuados

Pídale al instalador que le muestre la ubicación del disyuntor o el fusible. Márquela para recordarla más fácilmente.

Este electrodoméstico debe ser correctamente instalado y conectado a tierra por un técnico calificado. Conéctelo sólo a una toma de corriente eléctrica correctamente conectada a tierra. Para obtener más información, consulte las Instrucciones de instalación.

Este electrodoméstico ha sido diseñado para uso doméstico normal únicamente. No está aprobado para uso en exteriores. Consulte la Declaración de Garantía limitada del Producto. Si tiene alguna pregunta, comuníquese con el fabricante.

No almacene ni utilice productos químicos corrosivos, vapores, materiales inflamables ni productos no alimenticios dentro de este electrodoméstico ni cerca de él. Está específicamente diseñado para calentar o cocinar alimentos. El uso de productos químicos corrosivos al calentar o limpiar dañará el electrodoméstico y podría causar lesiones.

---

### ADVERTENCIA

---

No hacer funcionar bien las perillas puede ocasionar lesiones personales y daños al electrodoméstico.

---



# INSTRUCCIONES DE SEGURIDAD IMPORTANTES

LEA Y CONSERVE ESTAS INSTRUCCIONES

Este aparato no está previsto para el funcionamiento con un reloj conmutador horario o un mando a distancia externo.

No utilice este electrodoméstico si no funciona correctamente o si ha sido dañado. Comuníquese con un centro de servicio técnico autorizado.

No repare ni cambie ninguna parte del electrodoméstico, a menos que se recomiende específicamente en este manual. Remita todas las reparaciones a un centro de servicio técnico autorizado por la fábrica.

Para evitar un peligro de descarga eléctrica, antes de reparar el electrodoméstico, apague la alimentación eléctrica en el panel de servicio y trabe el panel para impedir que se encienda accidentalmente.

## **Advertencia en virtud de la Proposición 65:**

Este producto puede contener un químico que el Estado de California reconoce como potencialmente cancerígeno o causante de daños reproductivos. Por tanto, su producto debe llevar en su embalaje la siguiente etiqueta de conformidad con la legislación de California:

**ADVERTENCIA EN VIRTUD DE LA PROPOSICIÓN 65 DEL ESTADO DE CALIFORNIA:**



**ADVERTENCIA**

Cáncer y daño reproductivo - [www.P65Warnings.ca.gov](http://www.P65Warnings.ca.gov)



---

## Causas para los daños

---



---

### **AVISO**

---

#### DAÑOS POR EXCESO DE CALOR EN APARATOS O MUEBLES COLINDANTES:

Si se utiliza el aparato durante mucho tiempo, se produce calor y humedad. Es necesaria una ventilación adicional. Por ejemplo, abrir una ventana o encender una campana extractora que conduzca el aire al exterior.

---



---

### **AVISO**

---

#### DAÑOS EN EL APARATO DEBIDO A UNA ACUMULACIÓN DE CALOR:

No calentar asadores, sartenes o piedras de parrilla al mismo tiempo con varios quemadores.

---



---

### **AVISO**

---

#### AVERÍA:

Mantener la perilla de control en la posición cero siempre que no se esté utilizando el aparato.

---



---

## Protección del medio ambiente

---

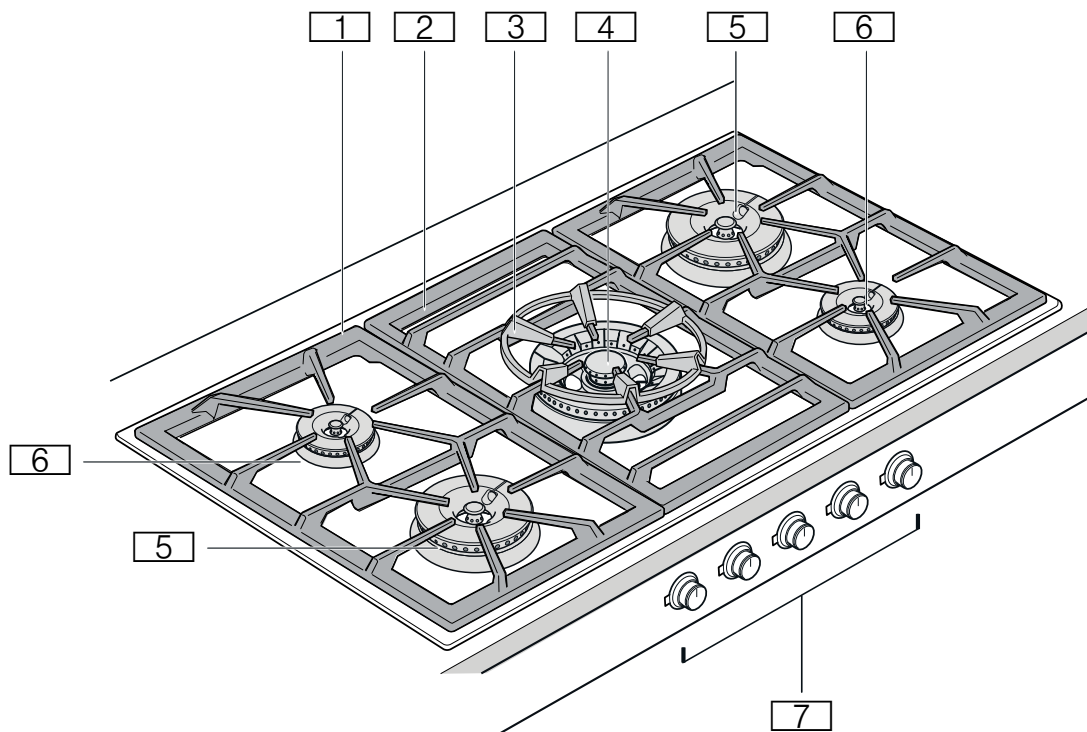
Aquí se ofrecen consejos sobre cómo ahorrar energía e indicaciones para desechar el aparato.

### Ahorro de energía

- Escoger el quemador adecuado para el tamaño de la olla. Colocar el recipiente para cocinar centrado.
- Utilizar una olla pequeña para cantidades reducidas. Una olla grande y poco llena requiere mucha energía.
- Utilizar siempre la tapa correspondiente a cada olla. Cuando se cocina sin tapa se necesita bastante más energía. Utilizar una tapa de cristal para poder tener visibilidad sin necesidad de levantarla.
- Al cocer, utilizar poca agua. De este modo se ahorra energía y se conservan todas las vitaminas y minerales de las verduras.
- Reducir cuando corresponda y usar un nivel menor de potencia. Así se ahorra energía.

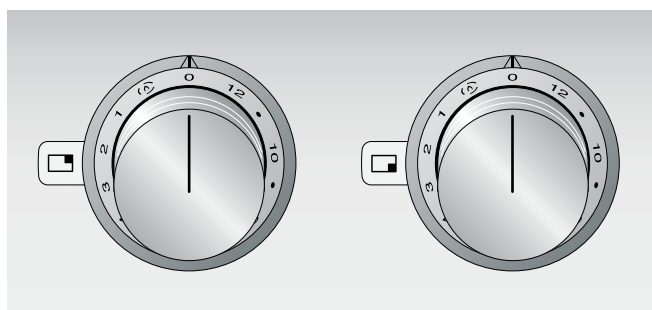
## Presentación del aparato

### Placa de cocción de gas



- 1 Aberturas de ventilación (debajo del soporte para ollas)
- 2 Soporte para ollas
- 3 Accesorio para wok
- 4 Quemador wok de 5.0 o 5.5 kW  
17,000 o 18,800 BTU/h
- 5 Quemador de gran potencia 4.0 kW 13,500 BTU/h
- 6 Quemador estándar 2.0 kW 7,000 BTU/h
- 7 Perillas de control

### Perilla de mando



Las marcas en la perilla de control muestran el tipo de quemador y el ajuste del nivel de cocción (del 1 al 12) o el nivel de fuego lento (☞).

|                          |                                     |
|--------------------------|-------------------------------------|
| <input type="checkbox"/> | Zona de cocción delantera izquierda |
| <input type="checkbox"/> | Zona de cocción trasera izquierda   |
| <input type="checkbox"/> | Zona de cocción central (tipo wok)  |
| <input type="checkbox"/> | Zona de cocción trasera derecha     |
| <input type="checkbox"/> | Zona de cocción delantera derecha   |

## Indicación en el anillo luminoso

Todas las perillas de control disponen de un anillo luminoso con distintas indicaciones.

| Display                                                                | Significado                                                                             |
|------------------------------------------------------------------------|-----------------------------------------------------------------------------------------|
| ○ Desactiv.                                                            | Aparato APAGADO                                                                         |
| ● Iluminado en naranja                                                 | Aparato ENCENDIDO                                                                       |
| ☀ Parpadeo naranja                                                     | Aparato APAGADO<br>Indicador de calor residual                                          |
| ☀ Parpadeo que cambia de naranja a blanco                              | Desconexión de seguridad, apagón                                                        |
| ☀ Parpadeo que cambia de amarillo a magenta                            | Se trata de una avería.<br>Avisar al Servicio de Atención al Cliente                    |
| ● Se ilumina en verde durante unos instantes y luego cambia a amarillo | El electrodoméstico arranca, pero solo tras conectarlo por primera vez o tras un apagón |

## Accesorios especiales

En su comerciante especializado, puede adquirir el accesorio indicado a continuación:

WP 400 001 Sartén Wok de material multicapa. Con fondo abombado y mango, Ø 14¼" (36 cm), 6 Litros, Altura 4" (10 cm).

Utilice el accesorio tal como se ha prescrito. El fabricante no se hace responsable por un uso incorrecto.

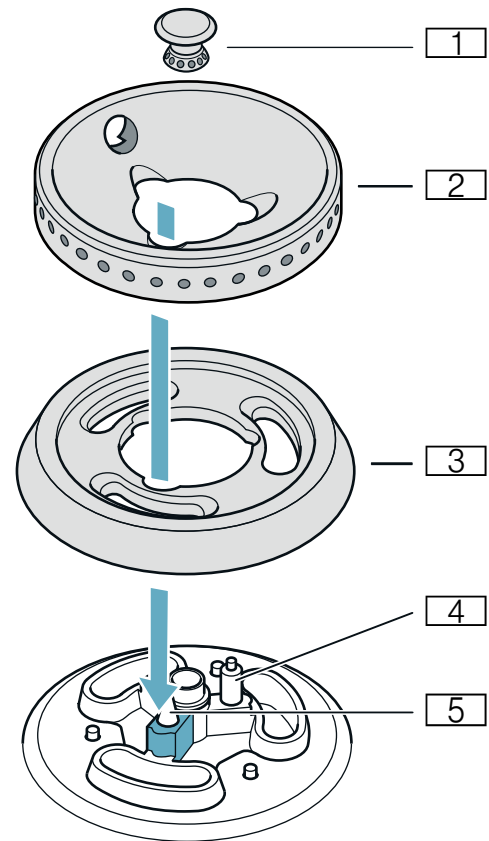
## Componentes de los quemadores

Montar los componentes de los quemadores rectos y en su posición adecuada; si no, se podrían producir alteraciones en la ignición o durante el funcionamiento.

Colocar el cabezal y el círculo de llama del quemador de tal manera que los salientes de la parte inferior del quemador encajen en los huecos correspondientes. La dirección del cabezal y del círculo de llama del quemador no es importante.

**Nota:** Si los componentes del quemador no se colocan rectos, el aparato no funcionará.

## Componentes del quemador estándar y el quemador de gran potencia

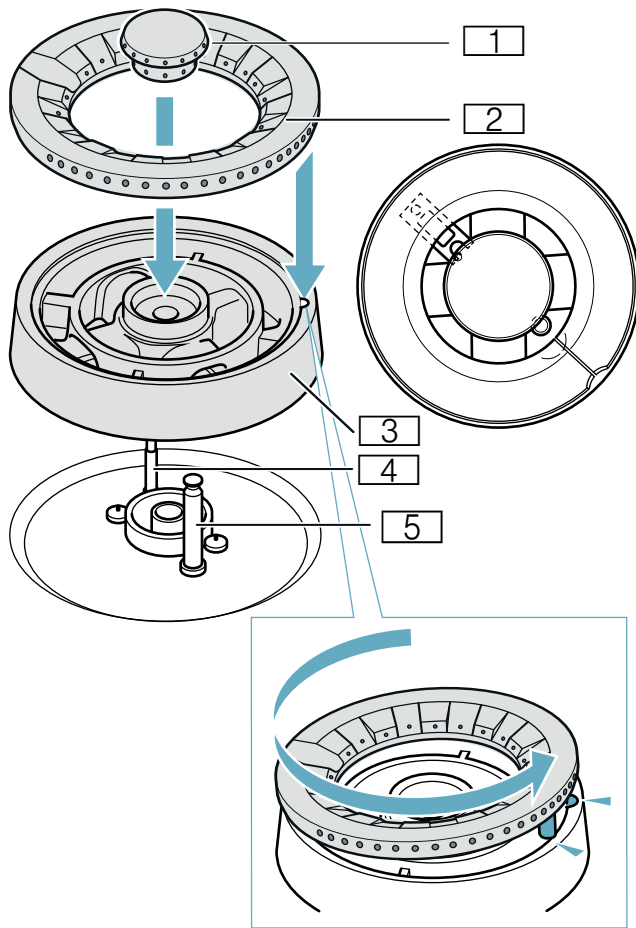


- 1 Tapa del quemador
- 2 Círculo de llama del quemador
- 3 Cabezal del quemador
- 4 Bujía
- 5 Termopar

## Componentes del quemador wok

Montar los componentes del quemador wok rectos y en su posición adecuada; si no, se podrían producir alteraciones en la ignición o durante el funcionamiento. Colocar el cabezal del quemador de manera que el termopar encaje en el hueco correspondiente del cabezal. La lengüeta de retención del círculo de llama del quemador debe encajar en el hueco correspondiente del cabezal.

**Nota:** Si los componentes del quemador no se colocan rectos, el aparato no funcionará.



- 1 Tapa del quemador
- 2 Círculo de llama del quemador
- 3 Cabezal del quemador
- 4 Termopar
- 5 Bujía

## Manejo del electrodoméstico

### Notas

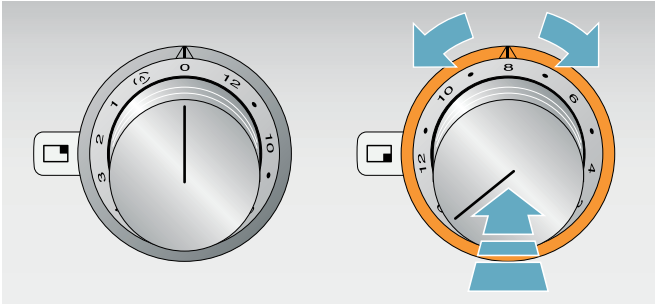
- Utilizar exclusivamente los accesorios indicados. No cubrir la placa de acero inoxidable (p. ej., con papel de aluminio).
- El quemador y la bujía de encendido deben estar limpios y secos.
- Las zonas de cocción solo deben encenderse cuando el soporte para ollas y todos los componentes del quemador estén correctamente colocados.
- Cuando se enciende un quemador, se produce una chispa en todos los quemadores.
- No tocar la bujía cuando el aparato de gas esté encendido.
- Mantener la máxima limpieza. Si las bujías están sucias, el encendido será defectuoso. Limpiarlas periódicamente con un cepillo pequeño no metálico. Tener en cuenta que las bujías no deben sufrir impactos violentos.
- Para cocinar con un sartén wok, hay que colocar el accesorio para wok sobre el quemador wok en el soporte para ollas. Asegurarse de que el sartén wok esté colocado correctamente sobre el accesorio para sartén wok.
- Al cambiar del nivel 3 al 4 o a un nivel superior, el quemador pasa brevemente a la potencia máxima. De este modo se optimiza la propagación de la llama entre los círculos de los quemadores.
- No tapan las aberturas de ventilación de la parte trasera de la placa de cocción de gas.
- Cuando se enciende la placa de cocción de gas, el sistema electrónico abre el suministro de gas, lo que produce un sonido de corta duración. Efecto normal.
- El aparato no puede funcionar si hay un apagón. El suministro de gas está cortado.

## Conectar

La placa de cocción de gas dispone de un sistema de encendido rápido automático.

1. Colocar un recipiente de cocción adecuado sobre la rejilla.
2. Presionar y girar la perilla de control del quemador elegido hacia la izquierda o hacia la derecha hasta seleccionar el nivel de potencia deseado.

El quemador se enciende automáticamente.



Se puede ajustar el nivel de potencia deseado girando el perilla de control.

### **⚠ ADVERTENCIA**

#### ¡Riesgo de incendio!

Si transcurridos 15 segundos la llama no se enciende, desactivar la perilla de control y abrir la puerta o ventana de la estancia. Esperar al menos un minuto antes de intentar encender el quemador de nuevo.

## Fuego lento

En el nivel de fuego lento, el quemador enciende y apaga la llama. Así, por ejemplo, se puede fundir chocolate o calentar salsas delicadas.

Girar la perilla de control hasta (0). La duración del encendido y apagado es de 10 - 50 segundos.

## Control electrónico de la llama y reignición automática

Para garantizar su seguridad, la placa de cocción incorpora un sistema de control electrónico de la llama. En el caso de que la llama se apague (p. ej. debido a una corriente de aire), el aparato vuelve a encender el quemador de forma automática.

Si la reignición no se produce (p. ej. debido a que el quemador está sucio por restos de líquidos derramados), el aparato corta el suministro de gas. Parpadea el anillo luminoso situado detrás de la perilla de control.

Girar la perilla de control a la posición 0 y esperar a que el aparato se haya enfriado. A continuación, comprobar si todos los componentes del quemador están colocados correctamente. Comprobar si el quemador o la bujía están sucios. → "¿Qué hacer en caso de avería?" en la página 66

## Apagar

Girar la perilla de control hasta la posición 0. El sistema electrónico del aparato corta el suministro de gas.

## Visualización del calor restante

El anillo luminoso detrás de la perilla de control parpadea después de apagarlo para indicar que el aparato todavía está demasiado caliente como para tocarlo.

## Desconexión de seguridad

Para la protección del usuario, el aparato está equipado con una desconexión de seguridad. El aparato se apaga automáticamente cuando lleva mucho tiempo en funcionamiento. El tiempo que pasa hasta apagarse depende del ajuste (nivel de potencia 12 = 1 hora, nivel de potencia 1 = 4 horas). El anillo luminoso situado detrás de la perilla de control parpadea cambiando entre los colores naranja y blanco.

Girar la perilla de control hasta la posición 0, después se puede volver a poner en funcionamiento el aparato del modo habitual.

## Tabla de ajustes y consejos

| Nivel de potencia                  | Procedimiento de cocción                 | Ejemplos                         |
|------------------------------------|------------------------------------------|----------------------------------|
| 12                                 | Calentar                                 | Agua, consomés                   |
|                                    | Escaldar                                 | Verduras                         |
| 10 - 12                            | Sofreír                                  | Carne, platos al wok o al sartén |
|                                    | Asar a temperaturas altas                | Carne, papas                     |
| 7 - 10                             | Continuar la cocción con la tapa abierta | Líquidos, pastas                 |
| 6 - 8                              | Horneado                                 | Dulces                           |
|                                    | Asar a temperaturas medias               | Aves, pescado                    |
| 4 - 6                              | Asar a temperaturas bajas                | Salchichas, cebollas, huevos     |
|                                    | Calentar                                 | Verduras, sopas, guisos          |
|                                    | Freír                                    | Papas fritas, galletas           |
|                                    | Escalfar con la tapa abierta             | Knödel, salchichas cocidas       |
| 3 - 4                              | Descongelar                              | Alimentos congelados             |
|                                    | Estofar                                  | Rollos de carne asada, asados    |
|                                    | Rehogar                                  | Verduras                         |
| 2 - 4                              | Continuar la cocción con la tapa cerrada | Sopas, verduras                  |
| Desde fuego lento hasta el nivel 3 | Poner en remojo                          | Arroz, arroz con leche, cereales |
| Fuego lento                        | Fundir, conservar en caliente            | Chocolate, mantequilla           |

## Consejos para cocer y asar

Los valores de la tabla de ajuste son meramente orientativos, ya que según el tipo y estado de los alimentos, así como el tamaño y el nivel de llenado de la olla, puede ser necesario más o menos calor.

Debido a su elevada potencia la grasa y el aceite se calientan muy rápidamente. No deje los productos en cocción sin vigilancia, la grasa podría incendiarse y quemar el producto de asar.

## Consejos para el wok

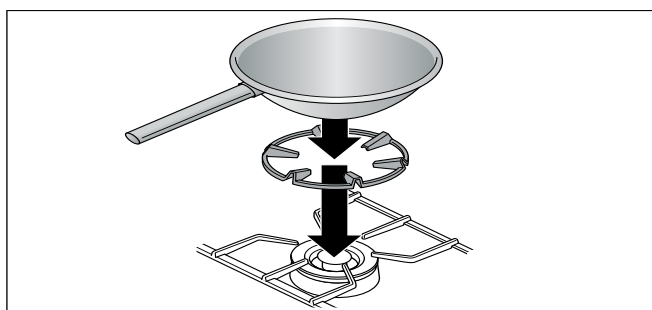
**Nota:** Para cocinar con un sartén wok, hay que colocar el accesorio para wok sobre el quemador wok en el soporte para ollas. Asegurarse de que el sartén wok esté colocada correctamente sobre el accesorio para sartén wok.

Le recomendamos sartenes wok con fondo abombado. Se puede adquirir un sartén wok de gran calidad como accesorio especial (n.º de referencia WP 400 001).

Para cocinar con el sartén wok, utilizar únicamente un aceite de cocina que alcance elevadas temperaturas, p. ej., aceite de cacahuete.

Cocer los ingredientes a fuego alto, removiendo constantemente y no durante demasiado tiempo. Las verduras deben quedar al dente.

Para remover y sacar los alimentos, utilizar un cucharón plano con mango largo de material resistente al calor.



## Recomendación sobre los quemadores

Para procesos de cocción largos y a baja temperatura (p. ej., fundir, poner en remojo o cocer), elegir el quemador estándar o el de gran potencia (no el quemador wok).

Para procesos de cocción breves y a alta temperatura (p. ej., calentar o freír), recomendamos el quemador wok o el de gran potencia.

## Consejos para el uso de recipientes

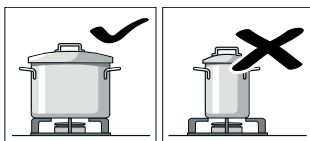
Las siguientes indicaciones ayudan a ahorrar energía y a evitar daños en los recipientes para cocinar.

### Ollas de adecuadas para cocer

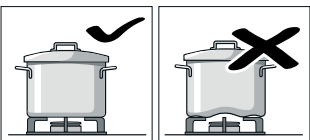
| Quemador                  | Diámetro recomendado de la base de la olla                                                      | Diámetro mínimo de la base de la olla |
|---------------------------|-------------------------------------------------------------------------------------------------|---------------------------------------|
| Quemador estándar         | 8 - 9½" (200 - 240 mm)                                                                          | 3½" (90 mm)                           |
| Quemador de gran potencia | 9½ - 11" (240 - 280 mm)                                                                         | 3½" (90 mm)                           |
| Quemador wok              | 9½ - 12½" (240 - 320 mm)<br>Utilizar el sartén wok únicamente con el accesorio para sartén wok. | 6½" (160 mm)                          |

No deben utilizarse ollas con un diámetro menor de 3½" (90 mm) o mayor de 11" (280 mm), (12½" (320 mm) para el quemador tipo wok). Si se utilizan ollas de mayor tamaño, estas no pueden sobrepasar la anchura del aparato.

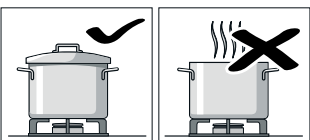
### Instrucciones de uso



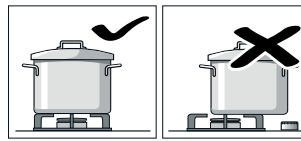
Utilice recipientes de cocción de tamaño apropiado al quemador correspondiente. No utilice recipientes de cocción pequeños en un quemador grande. La llama no deberá tocar los laterales del recipiente de cocción.



No utilice recipientes de cocción deformados que no asienten de forma estable sobre la placa de cocción. Los recipientes podrían volcar. Utilice sólo recipientes de cocción con una base plana y gruesa.

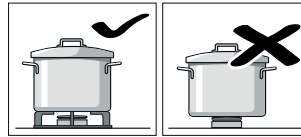


No cocine sin tapa o si se encuentra desplazada la tapa. Se derrocha gran parte de la energía.



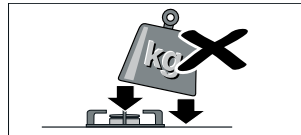
Coloque el recipiente de cocción en el centro por encima del quemador, de lo contrario podría volcar el recipiente.

No coloque las ollas grandes sobre el quemador cerca de los mandos. Estos podrían sobrecalentarse y por consiguiente dañarse.

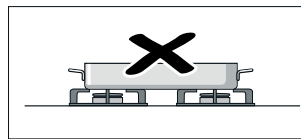


Coloque las ollas sobre soporte de ollas y no directamente sobre los quemadores.

Cerciórese antes de su uso que el soporte de ollas y la tapa del quemador de gas asienten correctamente.



Manipule con precaución los recipientes colocados sobre la placa de cocción. No golpee la placa de cocción ni coloque sobre ella elevados pesos.



No caliente nunca un recipiente de cocción (p.ej. asador, sartén, piedra para grill) con varios quemadores. La acumulación de calor produce daños en el aparato.

## Cuidados y limpieza

### ADVERTENCIA

#### ¡Peligro de descarga eléctrica!

La humedad penetrante puede causar una descarga eléctrica. No use una hidrolavadora ni un limpiador por vapor.

### ADVERTENCIA

#### ¡Riesgo de quemaduras!

Al estar en funcionamiento, las partes accesibles se calientan mucho. Nunca toque las partes calientes. Mantenga alejados a los niños.

### AVISO

#### DAÑOS EN LA SUPERFICIE:

No utilizar estos productos de limpieza

- Limpiadores fuertes o abrasivos
- Limpiadores para hornos
- Limpiadores agresivos, irritantes o que contengan cloro
- Limpiadores que contienen gran cantidad de alcohol
- Esponjas, cepillos o estropajos para fregar duros o que rayen

Si alguno de estos productos entra en contacto con el aparato, limpiarlo inmediatamente con agua.

Lavar siempre a fondo los trapos nuevos antes de usarlos.

## Limpiar el aparato

Limpiar el aparato después de cada uso una vez se haya enfriado. Eliminar de inmediato los derrames y no permitir que se quemen restos de comida.

Mantener limpias las aberturas de ventilación por debajo del soporte para ollas. No deben cubrirse las aberturas de ventilación.

Secar concienzudamente los quemadores tras su limpieza. El aparato solo debe ponerse en funcionamiento si los quemadores están secos. Los quemadores húmedos pueden dar problemas al encender el aparato o hacer que la llama no sea estable.

Al realizar la instalación, colocar los componentes del quemador en la posición correcta (lengüetas de retención). Todas las piezas deben estar rectas.

| Pieza del aparato/<br>Superficie | Limpieza recomendada                                                                                                                                                                                                                                                                                                                                                                                 |
|----------------------------------|------------------------------------------------------------------------------------------------------------------------------------------------------------------------------------------------------------------------------------------------------------------------------------------------------------------------------------------------------------------------------------------------------|
| Superficies de acero inoxidable  | <p>Agua con un poco de jabón. Secar seguidamente con un paño suave. Utilizar poca cantidad de agua para la limpieza, ya que no debe penetrar agua en el aparato.</p> <p>Limpiar las zonas quemadas con un poco de agua con detergente y no restregar.</p> <p>Utilizar nuestro limpiador para acero inoxidable para eliminar la suciedad incrustada o provocada por el calor (n.º art. 00311499).</p> |
| Soporte para ollas               | <p>Retirarlo con cuidado para la limpieza. Remojarlo en el fregadero. Limpiar con detergente y un cepillo para tallar los platos.</p> <p>Limpiar con mucho cuidado la zona del tope de goma para que este no se desprenda.</p> <p>Enjuagar con agua limpia y dejar secar.</p> <p><b>No lavar en el lavavajillas.</b></p>                                                                             |
| Componentes del quemador         | <p>Agua con un poco de jabón. Secar seguidamente con un paño suave. Comprobar que las aberturas no estén obstruidas.</p> <p>Prestar atención para que no se extravíe ninguna pieza pequeña.</p> <p><b>No lavar en el lavavajillas.</b></p>                                                                                                                                                           |
| Perillas de control              | <p>Utilizar agua con un poco de jabón y no humedecer el trazo en exceso. Secar con un paño suave.</p>                                                                                                                                                                                                                                                                                                |



## Suciedad quemada

Para eliminar la suciedad incrustada o quemada, se puede solicitar en nuestra tienda en línea, a través de un comercio especializado o de nuestro Servicio de Asistencia Técnica, un gel limpiador (n.º art.00311859). Este es adecuado para los soportes para ollas y cavidades de acero inoxidable. En caso necesario, dejar que el producto actúe toda la noche. Tener en cuenta las indicaciones del limpiador.

---

### **AVISO**

---

#### DAÑOS EN LA SUPERFICIE:

No aplicar el gel limpiador sobre los componentes de los quemadores.

---

## Decoloración de los quemadores

Después de un uso prolongado, los componentes del quemador de latón se oscurecen por la oxidación natural. El cambio de color no afecta la utilidad.

## ¿Qué hacer en caso de avería?

Muchas veces podrá solucionar fácilmente usted mismo los fallos que aparezcan. Antes de llamar al servicio técnico, tome en cuenta las siguientes indicaciones.



### ADVERTENCIA

#### ¡Peligro de descarga eléctrica!

Las reparaciones incorrectas son peligrosas. Solo puede realizar reparaciones uno de nuestros técnicos capacitados de Servicio al Cliente. Si el electrodoméstico está defectuoso, desconecte el enchufe o desconecte el fusible en la caja de fusibles. Llame al Servicio al Cliente.

| Falla                                                                                                                                                                                                                                                          | Posible causa                                    | Solución                                                                                                                                                                                                                                                                                                                                                                                                                                                                                                                                                                                                                                                                  |
|----------------------------------------------------------------------------------------------------------------------------------------------------------------------------------------------------------------------------------------------------------------|--------------------------------------------------|---------------------------------------------------------------------------------------------------------------------------------------------------------------------------------------------------------------------------------------------------------------------------------------------------------------------------------------------------------------------------------------------------------------------------------------------------------------------------------------------------------------------------------------------------------------------------------------------------------------------------------------------------------------------------|
| La llama se no enciende al activarla.                                                                                                                                                                                                                          | No hay suministro de corriente eléctrica.        | Girar todas las perillas de control hasta 0. Comprobar en la caja de fusibles si ha saltado el fusible.                                                                                                                                                                                                                                                                                                                                                                                                                                                                                                                                                                   |
| La llama no se enciende al activarla. El anillo luminoso situado detrás de la perilla de control parpadea cambiando entre los colores naranja y blanco.                                                                                                        | Avería en el quemador o en el suministro de gas. | Girar todas las perillas de control hasta 0.<br><b>Comprobar:</b> <ul style="list-style-type: none"> <li>• ¿Los componentes del quemador están bien colocados?</li> <li>• ¿La llave de paso del gas está abierta?</li> <li>• ¿El quemador está limpio y seco?</li> <li>• ¿Ha quedado aire en la tubería tras conectar la bombona por primera vez o al cambiarla (con gas licuado)?</li> <li>• ¿Está vacía la bombona (con gas licuado)?</li> </ul>                                                                                                                                                                                                                        |
| La llama se no enciende al activarla. Todos los anillos luminosos situados tras las perillas de control se iluminan en blanco durante 10 segundos tras encender el aparato. Después, el anillo luminoso de la perilla de control activo se ilumina en naranja. | El modo Demo está activado.                      | Desactivar el modo Demo.                                                                                                                                                                                                                                                                                                                                                                                                                                                                                                                                                                                                                                                  |
| La llama se no enciende al activarla. El anillo luminoso situado detrás de la perilla de control parpadea cambiando entre los colores amarillo y magenta.                                                                                                      | Fallo electrónico                                | Girar todas las perillas de control hasta 0 y desconectar el aparato de la red durante un minuto (desconectar el fusible o desconectar el enchufe).<br><br>Conectar de nuevo el electrodoméstico a la red eléctrica. Los anillos luminosos de la perilla de control se iluminan en verde durante unos instantes y luego cambian a amarillo. Esperar a que los anillos luminosos se apaguen. A continuación, girar una de las perillas de control a cualquier nivel de potencia y volver a girarlo hasta 0<br><br>Conectar el quemador. Si el anillo luminoso parpadea de nuevo cambiando entre los colores amarillo y magenta, avisar al Servicio de Atención al Cliente. |

|                                                                                                                                                               |                                                                                             |                                                                                                                  |
|---------------------------------------------------------------------------------------------------------------------------------------------------------------|---------------------------------------------------------------------------------------------|------------------------------------------------------------------------------------------------------------------|
| El quemador se apaga cuando está en uso.<br>El anillo luminoso situado detrás de la perilla de control parpadea cambiando entre los colores naranja y blanco. | Desconexión de seguridad:<br>Ha transcurrido mucho tiempo sin realizar ninguna acción.      | Girar todas las perillas de control hasta 0 y después, en caso necesario, volver a encender el quemador.         |
| El quemador se apaga cuando está en uso.<br>El anillo luminoso situado detrás de la perilla de control parpadea cambiando entre los colores naranja y blanco. | Apagón en la casa:<br>Tras un apagón, el aparato se queda apagado por razones de seguridad. | Girar todas las perillas de control hasta 0 y después, en caso necesario, volver a encender el quemador.         |
| Hay olor a gas en la cocina.                                                                                                                                  | Puede haber puntos de fuga en la conexión de la bombona de gas.                             | Comprobar que la conexión de la bombona de gas sea hermética. Abrir la ventana y ventilar a fondo la habitación. |
| Durante el funcionamiento, los extremos del aparato se curvan ligeramente hacia arriba.                                                                       | El calor hace que el metal de la placa de cocción se ensanche.                              | Efecto normal. Cuando se enfría ya no se percibe ninguna curvatura.                                              |

### Notas

- Cada vez que se activa la red o tras un apagón se produce un sonido, ya que las válvulas de gas se inicializan. Los anillos luminosos de la perilla de control se iluminan en verde durante unos instantes y luego cambian a amarillo. Esperar a que los anillos luminosos se apaguen.
- Cuando se enciende la placa de cocción de gas, el sistema electrónico abre el suministro de gas, lo que produce un sonido de corta duración. Asimismo, al cambiar el ajuste de potencia también se oye un sonido. Efecto normal.

## Modo Demo

El modo Demo está activado si todos los anillos luminosos de la perilla de control se iluminan en blanco durante 10 segundos tras encender el aparato. El quemador no se enciende. El anillo luminoso de la perilla de control se ilumina en naranja.

### Se puede desactivar el modo Demo como se indica a continuación:

1. Girar todas las perillas de control hasta 0. Desconectar el aparato de la red eléctrica. Esperar al menos 30 segundos.
2. Conectar de nuevo el electrodoméstico a la red eléctrica. Los anillos luminosos de la perilla de control se iluminan en verde durante unos instantes y luego cambian a amarillo. Esperar a que los anillos luminosos se apaguen.
3. A continuación, desactivar el modo Demo dentro de los siguientes 3 minutos, siguiendo estos pasos: Girar una de las perillas de control hacia la izquierda, hasta la posición 12.
4. Girar la perilla de control hacia la derecha, hasta la posición 1.
5. Girar la perilla de control hacia la izquierda, hasta la posición 0.  
Esperar a que el anillo luminoso se ilumine de color amarillo.
6. Girar la perilla de control hacia la derecha, hasta la posición 1. El anillo luminoso se ilumina en color verde.  
Esperar 5 segundos. El anillo luminoso se vuelve amarillo.

El modo Demo se ha desactivado. **Para guardar el ajuste es obligatorio salir del menú como se indica a continuación:**

7. Girar la perilla de control hasta 0. Después girar la perilla de control hacia la izquierda, hasta la posición 12. Girar la perilla de control hacia la derecha, hasta la posición 1. Girar la perilla de control hacia la izquierda, hasta la posición 0. Esperar a que el anillo luminoso se apague.

---

## Servicio de atención al cliente

---

Si su aparato necesita una reparación, nuestro servicio de atención al cliente estará encantado de ayudarle. Siempre encontramos la solución adecuada, incluso para evitar visitas innecesarias de los técnicos.

Cuando llame por teléfono, indique la referencia del producto (Nº E) y el número de fabricación (Nº FD) para que podamos ofrecerle un servicio cualificado. La placa de identificación con los números correspondientes los encontrará en la parte inferior del aparato. Para evitar tener que buscar los datos de su aparato cuando los precise, es aconsejable anotarlos aquí conjuntamente con el número de teléfono del Servicio de atención al cliente.

---

Nº E.

Nº FD.

---

Servicio de atención al cliente ☎

---

Lea las instrucciones de uso y cuidado que se suministran con su aparato. De no hacerse, podría producirse un error en el uso del aparato con sus consecuentes llamadas de servicio innecesarias, que pueden no estar cubiertas por la garantía.

Las señas de las delegaciones internacionales figuran en la lista adjunta de centros y delegaciones del Servicio de Asistencia Técnica Oficial.

### Solicitud de reparación y asesoramiento en caso de averías

US 877 442 4436  
toll-free







Gaggenau  
BSH Home Appliance Corporation  
1901 Main Street, Suite 600  
Irvine, CA 92614  
1-877-442-4436

[www.gaggenau.com/us](http://www.gaggenau.com/us)  
© 2020 BSH Home Appliances

Gaggenau Hausgeräte GmbH  
Carl-Wery-Straße 34  
81739 München  
GERMANY



9001154575 (000929)  
en-us, es-mx, fr-ca

**GAGGENAU**