

Gaggenau

en-us	Installation Instructions	2
fr-ca	Instructions d'installation	12

C1282602, C1292602

Cooktop

Surface de cuisson

Table of contents

1 IMPORTANT SAFETY INSTRUCTIONS.....	3
1.1 Safety definitions.....	3
1.2 General information.....	3
1.3 General safety instructions.....	3
1.4 Appliance handling safety	4
1.5 Safety codes and standards.....	4
1.6 Electrical safety.....	4
1.7 State of California Proposition 65 Warnings	4
2 Before you begin.....	5
2.1 Parts included	5
2.2 Tools and parts needed	5
2.3 Cabinet requirements.....	5
2.4 Countertop requirements	5
3 Prepare installation space.....	5
3.1 Flush mounting	6
3.2 Cutout dimensions for flush mounted 30" cook- tops.....	6
3.3 Cutout dimensions for flush mounted 36" cook- tops.....	6
3.4 Cabinet ventilation requirements.....	7
4 Installation procedure	8
4.1 Installing the heat shield.....	8
4.2 Attaching the sealing tape for flush installation.....	8
4.3 Securing the cooktop to the countertop.....	9
5 Electrical connection	9
5.1 Electrical requirements.....	9
5.2 Connecting electrical supply.....	10
6 Checking the installation.....	10
7 Removing the appliance.....	11
8 Customer Service	11
8.1 Model number (E-Nr.) and production number (FD)	11
8.2 Rating plate location.....	11



IMPORTANT SAFETY INSTRUCTIONS

READ AND SAVE THESE INSTRUCTIONS

Read all instructions carefully before use. These precautions will reduce the risk of electrical shock, fire and injury to persons. When using kitchen appliances, basic safety precautions must be followed including those in the following pages.

1.1 Safety definitions

Here you can find explanations of the safety signal words used in this manual.

WARNING

This indicates that death or serious injuries may occur as a result of non-observance of this warning.

CAUTION

This indicates that minor or moderate injuries may occur as a result of non-observance of this warning.

NOTICE:

This indicates that damage to the appliance or property may occur as a result of non-compliance with this advisory.

Note: This alerts you to important information and/or tips.

1.2 General information

- Read this manual carefully.
- Keep the instructions, the appliance pass and the product information safe for future reference or for the next owner.
- Do not connect the appliance if it has been damaged in transit.

1.3 General safety instructions

IMPORTANT: THE APPLIANCE MUST BE INSTALLED BY A QUALIFIED INSTALLER.

IMPORTANT: SAVE THESE INSTRUCTIONS FOR THE LOCAL ELECTRICAL INSPECTOR'S USE.

INSTALLER: LEAVE THESE INSTALLATION INSTRUCTIONS WITH THE UNIT FOR THE OWNER.

OWNER: PLEASE RETAIN THESE INSTRUCTIONS FOR FUTURE REFERENCE.

Examine the appliance after unpacking it. In the event of transport damage, do not plug it in.

WARNING

If the information in this manual is not followed exactly, fire or shock may result causing property damage or personal injury.

Do not repair, replace or remove any part of the appliance unless specifically recommended in the manuals. Improper installation, service or maintenance can cause injury or property damage.

- ▶ Refer to this manual for guidance.
- ▶ All other servicing should be done by an authorized service provider.

When installing a cooktop over a single oven, be sure to follow the instructions in both the oven's and the cooktop's installation manuals.

DO NOT install any refrigerators, dishwashers, ovens (without ventilation), or washing machines below the cooktop. Refer to the Approved Combination Matrix.

Never modify or alter the construction of the appliance.

The appliance should only be used if installed by a qualified technician in accordance with these installation instructions. The manufacturer is not responsible for any damage resulting from incorrect installation.

To eliminate the risk of burns or fire by reaching over heated surface units, cabinet storage space located above the surface units should be avoided.

- ▶ If cabinet storage is to be provided, the risk can be reduced by installing a hood that projects horizontally a minimum of 5" (127 mm) beyond the bottom of the cabinet.
- ▶ Verify that cabinets above the cooktop are a maximum of 13" (330 mm) deep.

NOTICE:

We strongly recommend the installation of a ventilation system with this appliance.

WARNING

Remove all tape and packaging before using the appliance.

- ▶ Destroy the packaging after unpacking the appliance.
- ▶ Dispose of packaging in an environmentally responsible manner.
- ▶ Never allow children to play with packaging material.



IMPORTANT SAFETY INSTRUCTIONS

READ AND SAVE THESE INSTRUCTIONS

1.4 Appliance handling safety

WARNING



Hidden surfaces may have sharp edges.

- ▶ Use caution when reaching behind or under appliance.

1.5 Safety codes and standards

This appliance complies with the latest version of one or more of the following standards:

- UL 858 - Household Electric Ranges
- CAN/CSA-E60335-2-6, The Standard for the Safety of Household and similar electrical appliances.

It is the responsibility of the owner and the installer to determine if additional requirements and/or standards apply to specific installations.

1.6 Electrical safety

- **Installer** - show the owner the location of the circuit breaker or fuse. Mark it for easy reference.
- If required by the National Electrical Code (or Canadian Electrical Code), this appliance must be installed on a separate branch circuit.
- Local codes vary. The installer is responsible for ensuring that the installation, connections, and grounding comply with all applicable codes. The manufacturer is not responsible for any issues associated with the improper installation of this product.
- The circuit breaker should have a contact separation of at least 3 mm on all poles.
- Refer to the rating plate for more information.
→ "Rating plate location", Page 11
- This appliance also incorporates an internal earth connection for functional purposes only.

WARNING

Before installing, turn power OFF at the service panel.

- ▶ Lock service panel to prevent power from being turned ON accidentally.



IMPROPER GROUNDING CAN RESULT IN A RISK OF ELECTRIC SHOCK

- ▶ Consult a qualified electrician if the grounding instructions are not completely understood, or if doubt exists as to whether the appliance is properly grounded.

- ▶ DO NOT USE AN EXTENSION CORD.

GROUNDING INSTRUCTIONS

- ▶ This appliance must be grounded.
- ▶ Grounding reduces the risk of electric shock by providing a safe pathway for electric current in the event of a short circuit.
- ▶ Be sure your appliance is properly installed and grounded by a qualified technician.
- ▶ Installation, electrical connections and grounding must comply with all applicable codes.

1.7 State of California Proposition 65 Warnings

This product may contain a chemical known to the State of California, which can cause cancer or reproductive harm. Therefore, the packaging of your product may bear the following label as required by California:

STATE OF CALIFORNIA PROPOSITION 65 WARNING:



WARNING

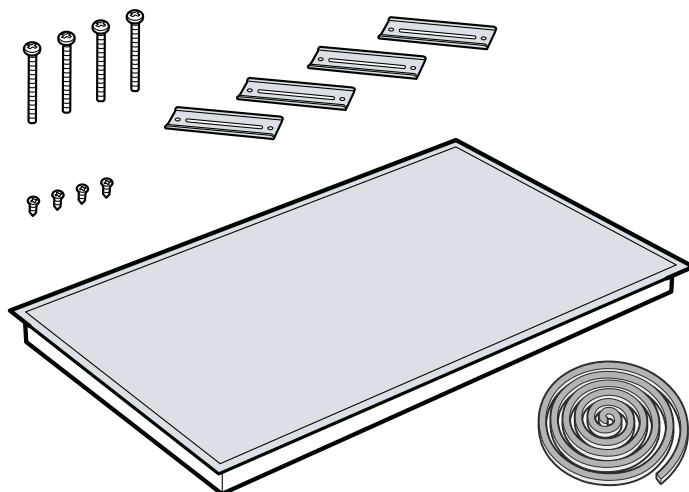
Cancer and Reproductive Harm - www.P65Warnings.ca.gov

2 Before you begin

Read these instructions before you begin to install your appliance.

2.1 Parts included

After unpacking all the parts, check for any damage in transit and for completeness of delivery.



2.2 Tools and parts needed

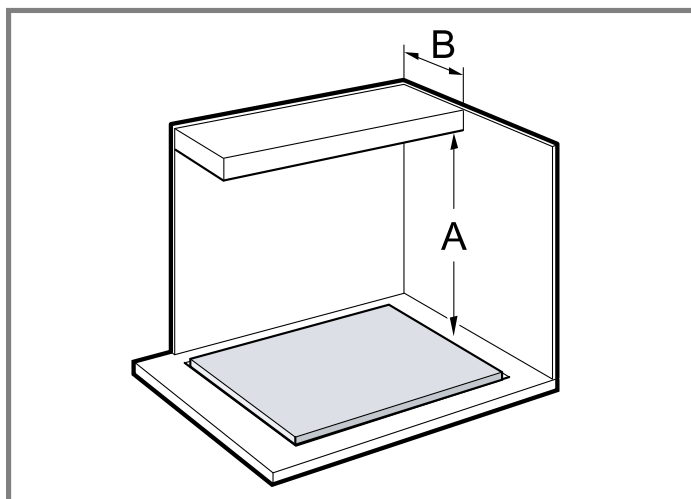
Prepare these tools and accessories before you start to install your appliance.

- Pencil
- Measuring tape
- Cross head screwdriver
- Drill with bit 1/4" (6 mm)
- Jigsaw

Note: Additional materials may be necessary for installation in solid surface countertops. Contact the countertop manufacturer.

2.3 Cabinet requirements

Ensure that the cabinetry at the installation location meets the requirements for a safe installation.



- The distance from the top of the cooktop to the bottom of cabinets above must be a minimum of $A=30"$ (762 mm).

- This distance can be reduced to $A=24"$ (610 mm) when the bottom of the wood or metal cabinet is protected by not less than 1/4" (6.35 mm) flame-retardant millboard covered with not less than no. 28 gauge sheet metal, 0.015" (0.4 mm) stainless steel, 0.024" (0.6 mm) aluminum or 0.020" (0.5 mm) copper.
- Verify that unprotected cabinets above the cooktop are a maximum of $B=13"$ (330 mm) deep.

Installation in combination with other products

Both products must be installed according to their specific product installation instructions.

Installing a cooktop over ovens and microwaves:

Only certain models may be installed over an oven or a microwave. Verify the Approved Combination Guide supplied with these instructions for approved installation combinations. Both products will have a label stating Approved Combination Guide.

Installing a range hood or a microwave hood above the cooktop:

Follow the range hood or microwave hood installation instructions for dimensional clearance above the cooktop surface.

2.4 Countertop requirements

Ensure that the countertop into which the cooktop is to be installed meets these requirements for a safe installation.

⚠ WARNING

To reduce the risk of ignition of surrounding combustible materials, install at least 2" (51 mm) from both sidewalls and the rear wall.

- The countertop must be level and horizontal.
- The stability of the countertop must be maintained after the cut-out has been made.
- Solid surface countertops often require special installations. For example, heat-reflective tape and rounded corners may be necessary.
- Contact the countertop manufacturer for instructions specific to your countertop.

3 Prepare installation space

Create the cutout in the countertop according to the instructions.

General countertop requirements:

- The angle of the cut surface to the countertop must be 90°.
- With multi-layered countertops, secure strips laterally in the cutout if necessary.
- After creating the cutout, remove all shavings.
- Seal the cut surfaces in a heat- and water-resistant manner.
- Observe the minimum distance between device underside and cabinet surfaces of 3/8" (10 mm).
- The countertop into which the cooktop is installed must be heat-resistant up to 140° F (90 °C).
- The countertop into which the cooktop is installed must be at least 13/16" (20 mm) thick.

- If the thickness of the countertop into which the cooktop is installed does not comply with the specifications, reinforce the worktop using a fire- and water-resistant material until it reaches the minimum thickness. Otherwise, sufficient stability cannot be assured.
- The countertop into which the cooktop is installed should withstand loads of approx. 133 lbs (60 kg).
- Confirm the cooktop is level only after it has been installed.

3.1 Flush mounting

The cooktop can be mounted flush into the countertop.

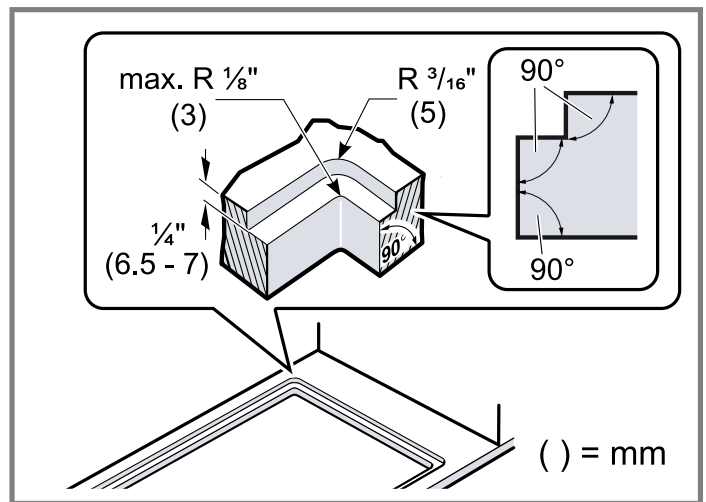
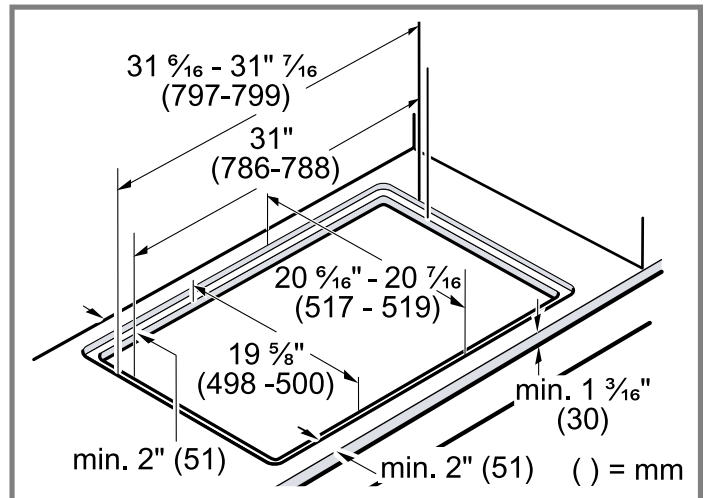
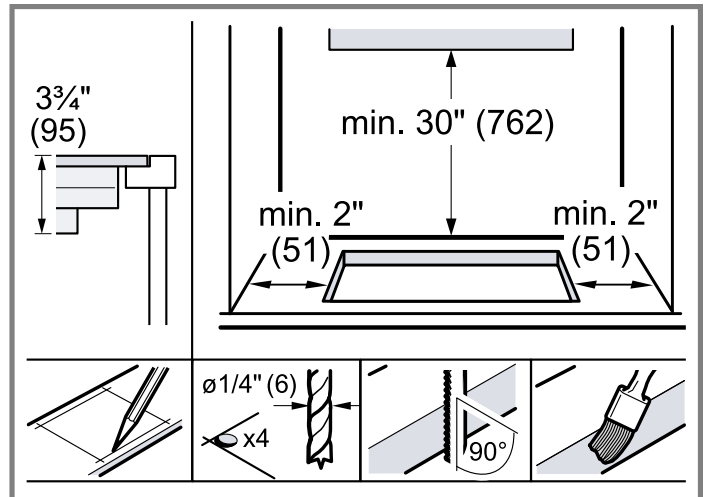
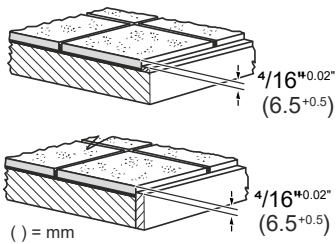
Notes

- Any cutout work on the countertop must be performed in a workshop according to the installation diagram.
- The cutout edge is visible on the surface after installation. Ensure that the cutout is made cleanly and precisely.
- Clean and degrease the cutout edges with a suitable cleaning agent; follow the silicone manufacturer's processing instructions.

Countertop material guide for flush mounting

Refer to the following chart to see if flush mounting is possible. All countertop materials must be temperature- and water-resistant.

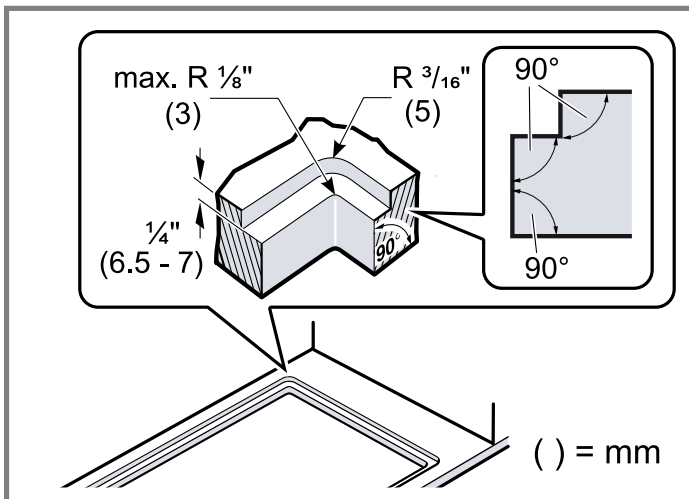
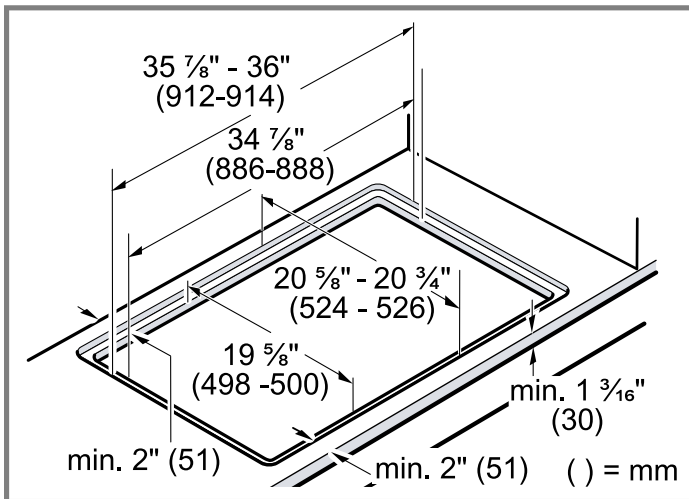
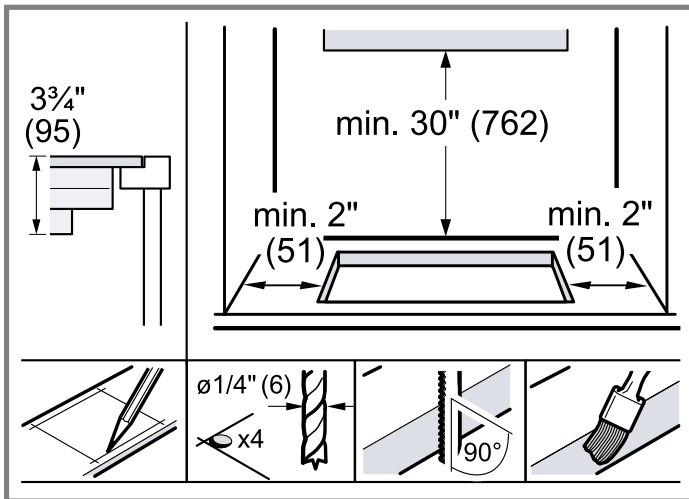
Countertop material	Notes
Stone	Suitable for flush mounting
Plastic, such as Corian®	Suitable for flush mounting
Solid wood	Only in consultation with the manufacturer of the countertop. Seal cutout edges.
Tiled surfaces	Suitable for flush mounting If necessary, raise the support surfaces using heat and water resistant strips.
Other	Only in consultation with the manufacturer of the countertop.
Particle board	Not suitable for flush mounting.



3.3 Cutout dimensions for flush mounted 36" cooktops

Refer to these measurements for the models stated here.

- CI 292 602

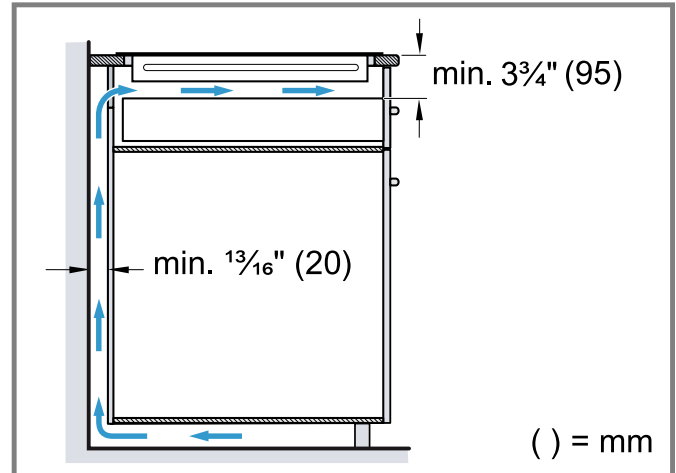


3.4 Cabinet ventilation requirements

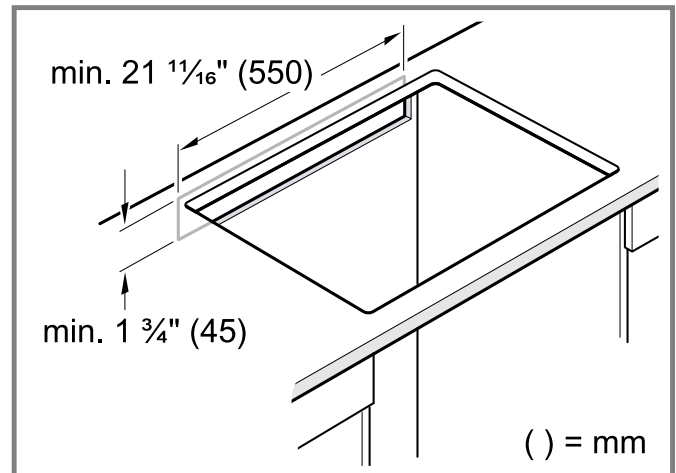
To assure that the appliance works correctly, the cooktop **MUST** be sufficiently ventilated. The ventilation in the lower section of the appliance requires a sufficient supply of fresh air. Ensure that the cabinet is designed in a way that supports sufficient ventilation. The following requirements must be fulfilled:

Notes

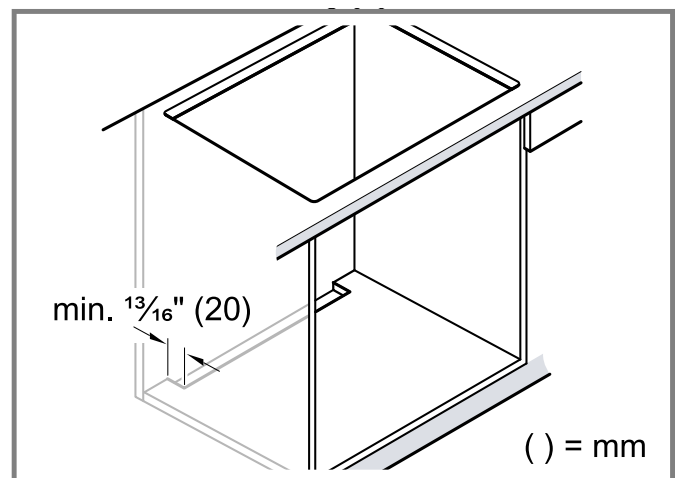
- A minimum clearance between the rear of the cabinet and the kitchen wall, and between the surface of the countertop and the upper area of the drawer.



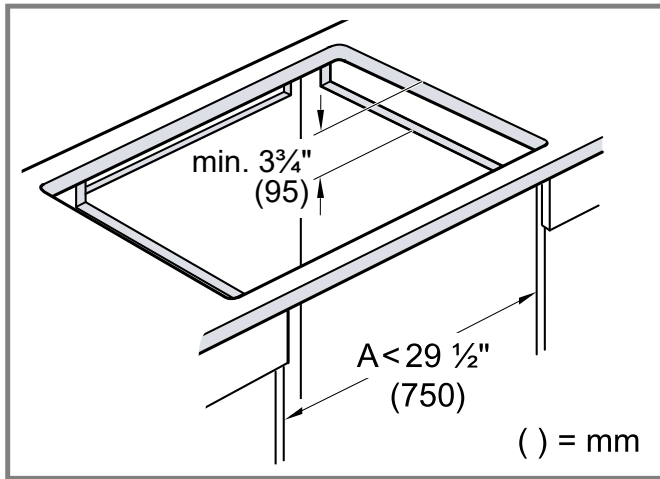
- An opening at the top to the rear of the cabinet.



- If the minimum clearance of 1 3/16 inches (20 mm) is not provided at the rear of the cabinet, you must create an opening on the underside.



- If the inside of the cabinet is no wider than 29 1/2" (750 mm), make cutouts in the side panels.



- If the appliance is installed in an island unit or another installation that is not described here, you must ensure that the cooktop is sufficiently ventilated.

4 Installation procedure

Follow these instructions to install the cooktop into the countertop.

⚠ CAUTION

Sharp edges.

- ▶ Use protective gloves when installing the appliance.

⚠ CAUTION

The appliance is heavy.

- ▶ It is recommended that two people install this appliance.

4.1 Installing the heat shield

For safety reasons, the heat shield must be properly installed when closed cabinets are used. This prevents components from overheating as a result of the recirculation of hot air from the cooktop. The heat shield is the same width as the cooktop.

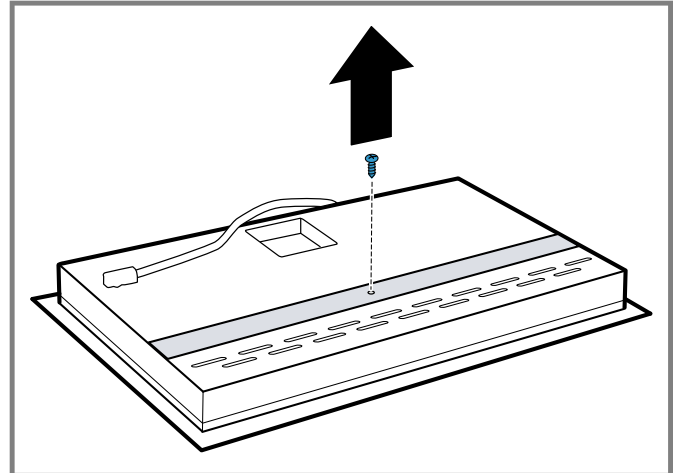
⚠ CAUTION

Sharp edges.

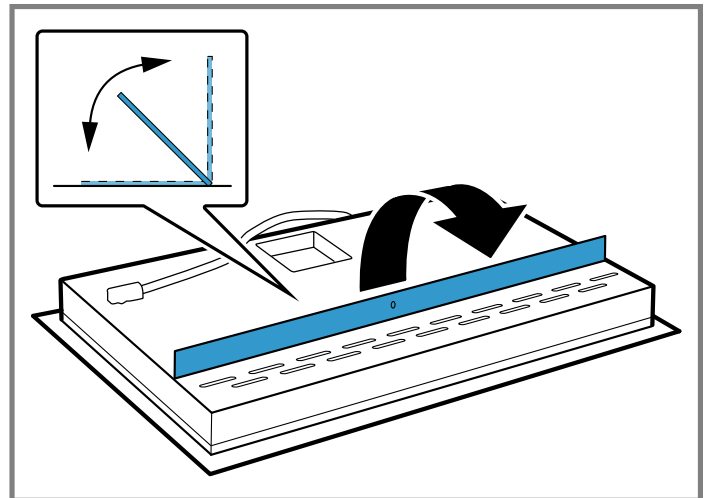
- ▶ Use protective gloves when installing the heat shield.

Requirement: You have unpacked the cooktop.

- ▶ For shipping, the heat shield is screwed to the bottom of the cooktop. Unscrew the fastening screw on heat shield.

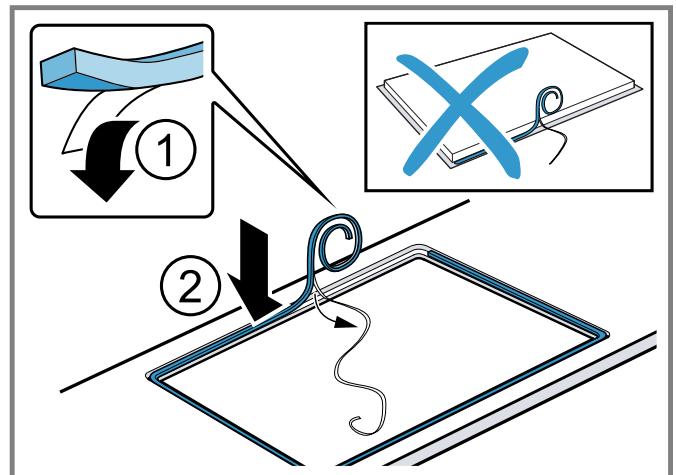


- ✓ The heat shield will be able to rotate freely.



4.2 Attaching the sealing tape for flush installation

- ▶ Attach the adhesive sealing tape around the edges of the countertop cutout.

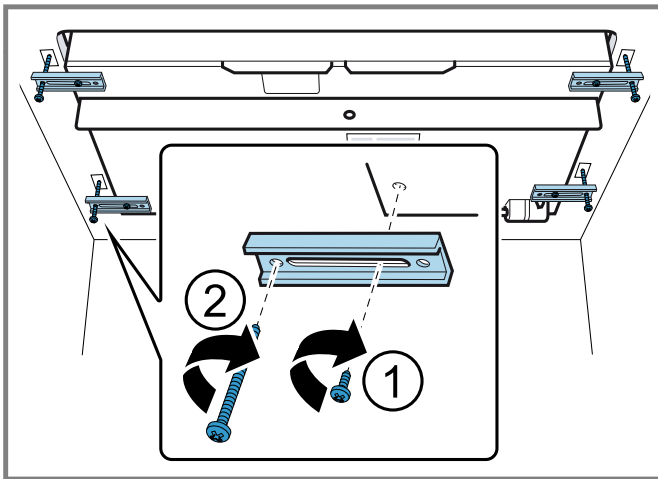


Note: Do not apply the sealing tape to the cooktop.

4.3 Securing the cooktop to the countertop

The cooktop must be secured from below using the hold-down brackets provided, so it does not slip.

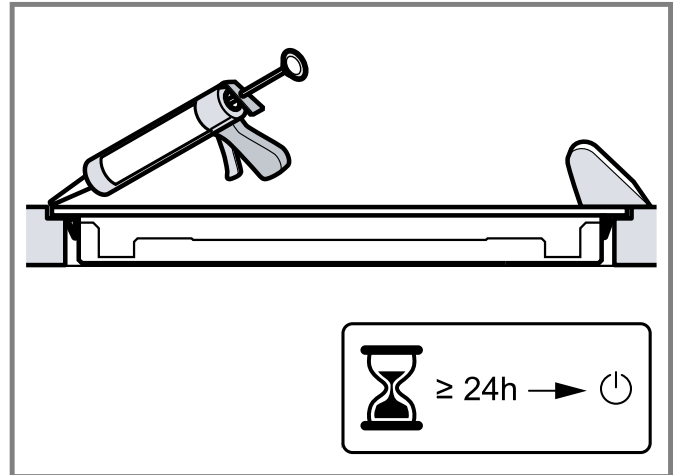
1. Place the cooktop face down on a soft underground.
2. Attach the hold-down brackets to the underside of the cooktop with the provided short screws ①. Do not tighten the screws.



3. Rotate the hold-down brackets so that the appliance can be placed in the cutout.
4. **CAUTION** Do not let the cooktop drop into place.
 - ▶ Make sure that the cooktop is supported along the edges when carefully placing it into the cutout.
 Turn the cooktop over and place it carefully into the countertop cutout.
5. Insert the clamping screws into the hold-down bracket and secure the cooktop to the countertop ②. Protect delicate countertops by placing a wooden disk underneath.
6. Tighten the hold-down bracket screws on the cooktop underside.

7. Only for flush mount installation:

- Carry out the installation test before carrying out this step.
- Grout the surrounding gap with a suitable temperature-resistant silicone adhesive.
- Smooth the joint seal with a smoothing agent recommended by the manufacturer. Follow the processing instructions for the silicone glue.
- Let the silicone glue dry completely for at least 24 hours, depending on the room temperature before switching on the appliance.



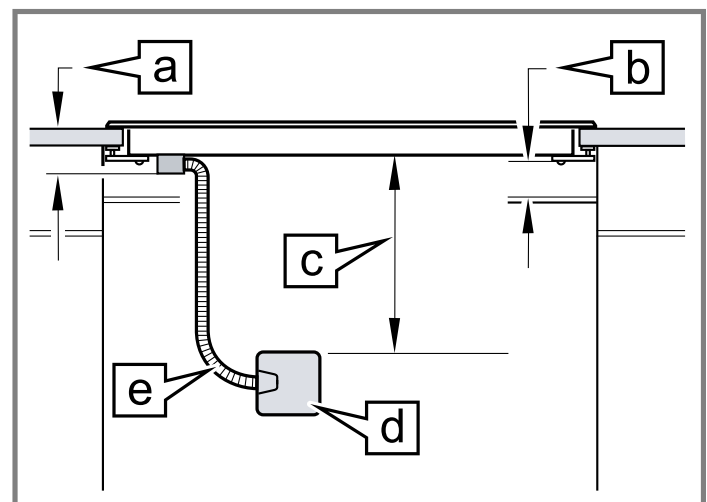
5 Electrical connection

Read these instructions to safely connect your appliance to the electrical supply.

5.1 Electrical requirements

Ensure that the following general requirements are met.

- You can find the rating plate with the electrical specifications on the underside of the appliance.
→ "Rating plate location", Page 11
- The junction box must be located within 3 feet of the cooktop connection. It should be easily accessible for service purposes.



- | | |
|---|---|
| a | max. 2 ³ / ₄ " (69 mm) + fitting/conduit 1" (25 mm) |
| b | min. 1" (25 mm) air clearance |
| c | approx. 12" (300 mm) |

d junction box

e flexible conduit approx. 3 ft. (900 mm)

Power supply

All models must be connected with the included 39" (1 m) flexible conduit.

Models	240 V AC, 3-wire, 60 Hz system: circuit breaker	208 V AC, 3-wire, 60 Hz system: circuit breaker
CI 482 602	30 A	30 A
CI 492 602	50 A	50 A

5.2 Connecting electrical supply

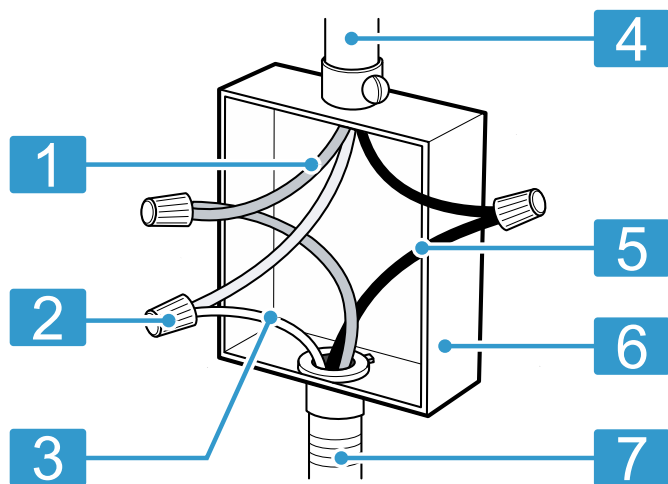
⚠ WARNING

Before installing, turn power OFF at the service panel.
 ▶ Lock service panel to prevent power from being turned ON accidentally.

Note: If the cooktop is installed and connected as specified here, it will be grounded in compliance with the National Electrical Code.

1. Install a suitable junction box (not furnished).
 The branch-circuit breakers ampacity, the wire sizes and the connections must conform to the requirements of the National Electrical Code or Canadian Electrical Code and all local codes and ordinances.
2. Attach the flexible conduit to the junction box.

3. Connect the lead wires to the junction box supply wires in proper phase.



1	Red wires
2	UL listed wire connectors
3	Green (or bare) ground wire (from appliance)
4	Cable from home power supply
5	Black wires
6	Junction box
7	Flexible conduit from appliance

- Black wires of cooktop to black house wire
- Red wires of cooktop to red house wire
- Green or bare to ground

6 Checking the installation

Check if your unit is working properly after you have completed the installation steps.

⚠ WARNING

Before you turn on power supply, make sure all controls are in the OFF position.

1. Remove everything from the cooktop surface including stickers.

2. Clean the cooktop surface with cooktop cleaning cream.
3. Switch on the circuit breaker.
4. Verify that all cooking zones function properly.

7 Removing the appliance

1. Disconnect the appliance from the power supply.
2. For flush-mounted appliances, remove the silicone joint.
3. **NOTICE:** Do not lever the appliance out from above at the frame.
Push out the appliance from below.

8 Customer Service

If you have any questions on use, are unable to eliminate an issue in the appliance yourself, or the appliance needs to be repaired, please contact our Customer Service.

With any warranty repair, we will make sure your appliance is repaired by an authorized service provider using genuine replacement parts. We use only genuine replacement parts for all repairs.

Detailed information on the warranty period and terms of warranty can be found in the Statement of Limited Product Warranty, from your retailer, or on our website.

If you contact the Customer Service, you will need the model number (E-Nr.) and the production number (FD) of your appliance.

USA:

1-877-442-4436

www.gaggenau.com

www.gaggenau.com/us/appliances/eshop

CA:

1-877-442-4436

www.gaggenau.com

www.gaggenau.ca

For assistance with connecting to Home Connect™, you can also view instructions here:

www.home-connect.com/us/en/help-support/set-up

8.1 Model number (E-Nr.) and production number (FD)

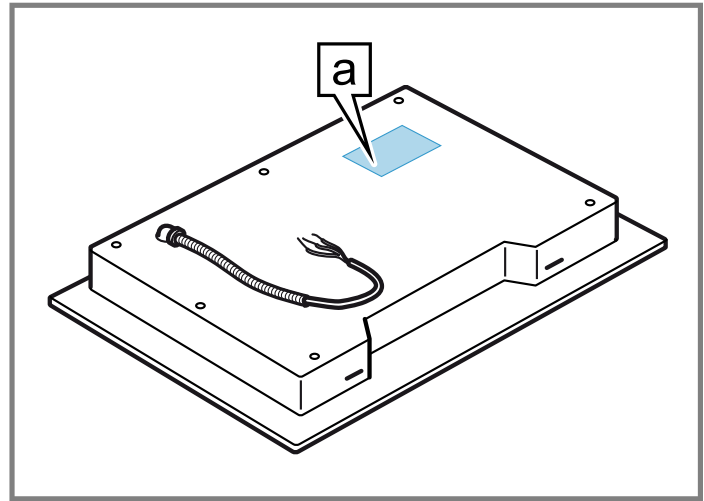
You can find the model number (E-Nr.) and the production number (FD) on the appliance's rating plate.

The model number (E-Nr.) can also be found on the glass ceramic. You can also display the customer service index (KI) and the production number (FD) in the Basic settings. Making a note of your appliance's details and the Customer Service telephone number will enable you to find them again quickly.

8.2 Rating plate location

You can find the rating plate of your appliance:

- on the underside of the appliance
- in the appliance pass
- You can also check the Customer Service Index (CSI) and the FD number in the basic settings.



a Rating plate

Table des matières

1 IMPORTANTES CONSIGNES DE SÉCURITÉ	13
1.1 Définitions des termes de sécurité	13
1.2 Indications générales	13
1.3 Consignes générales de sécurité	13
1.4 Manipulation sécuritaire des appareils	14
1.5 Codes et normes de sécurité	14
1.6 Sécurité électrique	14
1.7 Mises en garde conformément à la proposition 65 de l'État de Californie	14
2 Avant de commencer	15
2.1 Pièces incluses	15
2.2 Outils et pièces nécessaires.....	15
2.3 Exigences concernant les armoires.....	15
2.4 Exigences du comptoir.....	15
3 Préparation préalable au montage	15
3.1 Montage encastré	16
3.2 Dimensions de la découpe pour les tables de cuisson encastrées de 30 po.....	16
3.3 Dimensions de la découpe pour les tables de cuisson encastrées de 36 po.....	16
3.4 Exigences pour la ventilation.....	17
4 Procédure d'installation	18
4.1 Installation de l'écran thermique.....	18
4.2 Fixation du ruban d'étanchéité pour une installation affleurante	18
4.3 Fixation de la table de cuisson au comptoir.....	19
5 Raccordement électrique	19
5.1 Exigences électriques	19
5.2 Connexion de l'alimentation électrique	20
6 Inspecter l'installation	21
7 Dépose de l'appareil	21
8 Service à la clientèle.....	21
8.1 Numéro de modèle (E-Nr.) et numéro de fabrication (FD)	21
8.2 Emplacement de la plaque signalétique	21



IMPORTANTES CONSIGNES DE SÉCURITÉ

LIRE ET CONSERVER CES INSTRUCTIONS

Lisez toutes les instructions attentivement avant l'utilisation. Ces précautions réduiront le risque d'électrocution, d'incendie et de blessure pour les personnes utilisant l'appareil. Lorsque vous utilisez des appareils électroménagers, il importe de suivre les précautions de sécurité de base, y compris celles indiquées dans les pages suivantes.

1.1 Définitions des termes de sécurité

Vous trouverez ici des explications sur les mots de signalisation de sécurité utilisés dans ce manuel.

AVERTISSEMENT

Signale un risque de mort ou de blessure grave si l'avertissement n'est pas respecté.

MISE EN GARDE

Signale un risque de blessures mineures ou modérées si l'avertissement n'est pas respecté.

AVIS :

Ceci indique que la non-conformité à cet avis de sécurité peut entraîner des dégâts matériels ou endommager l'appareil.

Remarque : Ceci vous signale des informations et/ou indications importantes.

1.2 Indications générales

- Lisez attentivement cette notice.
- Conservez les notices, la carte de l'appareil ainsi que les informations produit en vue d'une réutilisation ultérieure ou pour un futur nouveau propriétaire.
- Ne branchez pas l'appareil si ce dernier a été endommagé durant le transport.

1.3 Consignes générales de sécurité

IMPORTANT : L'APPAREIL DOIT ÊTRE INSTALLÉ PAR UN INSTALLATEUR QUALIFIÉ.

IMPORTANT : CONSERVEZ CES INSTRUCTIONS POUR L'UTILISATION DE L'INSPECTEUR ÉLECTRIQUE LOCAL.

INSTALLATEUR : LAISSER CES INSTRUCTIONS D'INSTALLATION AVEC L'UNITÉ POUR LE PROPRIÉTAIRE.

PROPRIÉTAIRE : VEUILLEZ CONSERVER CES INSTRUCTIONS POUR RÉFÉRENCE FUTURE.

Examinez l'appareil après l'avoir déballé. En cas de dommage en cours de transport, ne branchez pas l'appareil.

AVERTISSEMENT

Si les consignes du présent manuel ne sont pas suivies à la lettre, il y a un risque d'incendie ou d'électrocution pouvant entraîner des dommages matériels ou des blessures.

Ne pas réparer, remplacer ni retirer toute pièce de l'électroménager à moins que cela ne soit spécifiquement recommandé par les manuels. L'installation, les réparations ou l'entretien inadéquats pourraient causer des blessures ou des dégâts matériels.

- ▶ Consulter ce manuel pour les directives d'utilisation.
- ▶ Toutes les autres réparations doivent être effectuées par un prestataire de services agréé.

Lorsque vous installez une table de cuisson sur un seul four, veillez à suivre les instructions des manuels d'installation du four et de la table de cuisson.

N'installez PAS de réfrigérateurs, de lave-vaisselle, de fours (sans ventilation) ou de machine à laver sous la table de cuisson. Reportez-vous à la matrice de combinaison approuvée.

Ne jamais modifier ni altérer la structure de l'appareil électroménager.

Utilisez uniquement l'appareil électroménager s'il a été installé par un technicien qualifié conformément aux présentes instructions d'installation. Le fabricant ne peut pas être tenu responsable de tous dommages causés par une installation inadéquate.

Pour éliminer le risque de brûlure ou d'incendie lorsque vous vous étirez au-dessus des surfaces chauffantes de l'électroménager, il faut éviter d'installer des armoires de rangement au-dessus de la surface de l'électroménager.

- ▶ Si une armoire de rangement est installée, il est possible de réduire le risque en installant une hotte qui dépasse (horizontalement) d'au moins 5 po (127 mm) le bord du fond de l'armoire.
- ▶ Vérifier que la profondeur des armoires au-dessus de la table de cuisson est au maximum de 13 po (330 mm).

AVIS :

Nous recommandons fortement l'installation d'un système de ventilation avec cet appareil.



IMPORTANTES CONSIGNES DE SÉCURITÉ

LIRE ET CONSERVER CES INSTRUCTIONS

AVERTISSEMENT

Retirer tout le ruban adhésif et l'emballage avant d'utiliser l'électroménager.

- ▶ Jetez l'emballage après avoir déballé l'électroménager.
- ▶ Éliminez l'emballage d'une manière respectueuse de l'environnement.
- ▶ Ne laissez jamais les enfants jouer avec le matériel d'emballage.

1.4 Manipulation sécuritaire des appareils

AVERTISSEMENT



Certaines surfaces cachées peuvent avoir des rebords tranchants.

- ▶ Redoubler de vigilance quand vous passez la main derrière ou sous l'appareil électroménager.

1.5 Codes et normes de sécurité

Cet appareil est conforme aux plus récentes versions de l'une ou plus des normes suivantes :

- UL 858 - Cuisinières électriques domestiques
- CAN/CSA-E60335-2-6, Norme pour la sécurité des appareils électroménagers et similaires.

Il est de la responsabilité du propriétaire et de l'installateur de déterminer si des exigences et/ou des normes supplémentaires s'appliquent à des installations spécifiques.

1.6 Sécurité électrique

- **Installateur** - indiquez au propriétaire l'emplacement du disjoncteur ou du fusible. Identifiez sa position pour pouvoir le retrouver facilement.
- S'il y a lieu, conformément au Code national de l'électricité (ou au Code canadien de l'électricité), cet appareil doit être installé sur un circuit de dérivation séparé.
- Les codes locaux peuvent varier. L'installateur est responsable de s'assurer que l'installation, les connexions et la mise à la terre sont conformes à tous les codes applicables. Le fabricant n'est pas responsable des problèmes associés à une mauvaise installation de ce produit.
- Le disjoncteur doit avoir une séparation des contacts d'au moins 3 mm sur tous les pôles.

- Voir la fiche signalétique pour plus d'information.
→ "Emplacement de la plaque signalétique", Page 21
- Cet appareil intègre également une prise de terre interne à des fins fonctionnelles uniquement.

AVERTISSEMENT

Avant l'installation, couper l'alimentation au panneau de service.

- ▶ Verrouiller le panneau de service pour empêcher que l'alimentation ne soit rétablie par accident.



UNE MISE À LA TERRE INADÉQUATE PEUT ENTRAÎNER UN RISQUE D'ÉLECTROCUTION

- ▶ Consultez un électricien qualifié si vous ne comprenez pas parfaitement les instructions de mise à la terre ou si vous avez des doutes concernant une mise à la terre appropriée.
 - ▶ NE PAS UTILISER DE RALLONGE.
- ### INSTRUCTIONS DE MISE À LA TERRE
- ▶ Cet appareil doit être mis à la terre.
 - ▶ La mise à la terre réduit le risque de choc électrique en fournissant une voie sûre pour le courant électrique en cas de court-circuit.
 - ▶ Assurez-vous que l'appareil est correctement installé et mis à la terre par un technicien qualifié.
 - ▶ L'installation, les raccordements électriques et la mise à la terre doivent être conformes avec tous les codes en vigueur.

1.7 Mises en garde conformément à la proposition 65 de l'État de Californie

Ce produit pourrait contenir un produit chimique reconnu par l'État de la Californie comme cancérigène ou ayant des effets nocifs sur la reproduction. Par conséquent, vous pourriez devoir apposer l'étiquette suivante sur l'emballage du produit comme requis par la Californie :

AVERTISSEMENT ISSUE DE LA PROPOSITION 65 DE L'ÉTAT DE LA CALIFORNIE :



AVERTISSEMENT

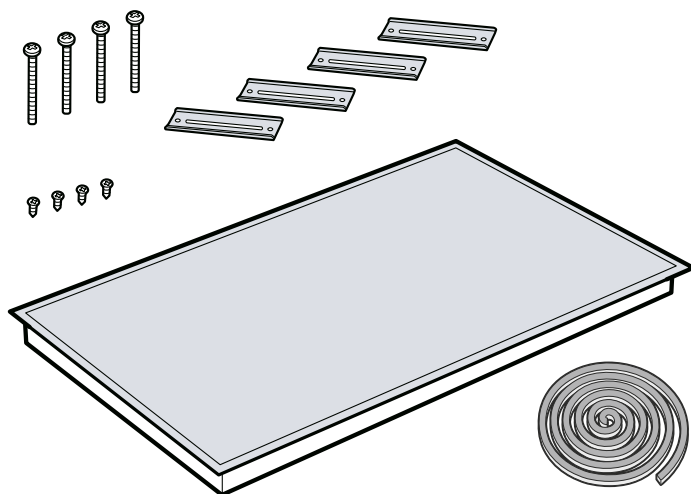
Cancer et dommages à la reproduction -
www.P65Warnings.ca.gov

2 Avant de commencer

Lisez ces instructions avant de commencer l'installation de votre appareil.

2.1 Pièces incluses

Après avoir déballé le produit, inspectez toutes les pièces pour détecter d'éventuels dégâts dus au transport et pour vous assurer de l'intégralité de la livraison.



2.2 Outils et pièces nécessaires

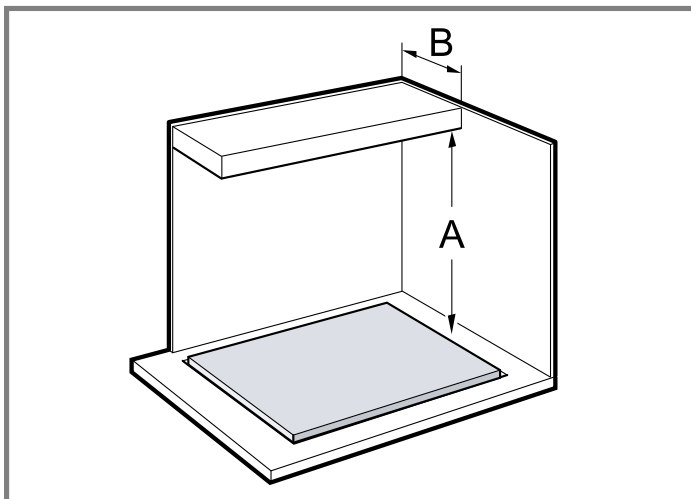
Préparez ces outils et accessoires avant de commencer à installer votre électroménager.

- Crayon
- Ruban à mesurer
- Tournevis cruciforme
- Perceuse avec mèche de 1/4 po (6 mm)
- Scie sauteuse

Remarque : Des matériaux supplémentaires peuvent être nécessaires pour l'installation de comptoirs à surface solide. Contactez le fabricant du comptoir.

2.3 Exigences concernant les armoires

Assurez-vous que les armoires du site d'installation répondent aux exigences d'une installation sécuritaire.



- La distance entre le haut de la table de cuisson et le bas des armoires ci-dessus doit être d'au moins A = 30 po (762 mm).
- Cette distance peut être réduite à A=24 po (610 mm) quand le bas de l'armoire en bois ou en métal est protégé par du carton enroulé ignifuge d'un minimum de 1/4 po (6,35 mm), lequel est recouvert au minimum de tôle de calibre 28, d'acier inoxydable de 0,015 po (0,4 mm), d'aluminium de 0,024 po (0,6 mm) ou de cuivre de 0,020 po (0,5 mm).
- Vérifiez que les armoires non protégées au-dessus de la table de cuisson ont une profondeur maximale de B = 13 po (330 mm).

Installation en combinaison avec d'autres produits

Les deux produits doivent être installés conformément à leurs instructions d'installation spécifiques.

Installation d'une table de cuisson au-dessus des fours et micro-ondes :

Seuls certains modèles peuvent être installés au-dessus d'un four ou d'un micro-ondes. Vérifiez le guide de combinaison approuvé fourni avec ces instructions pour les combinaisons d'installation approuvées. Les deux produits porteront une étiquette indiquant le guide de combinaison approuvé.

Installation d'une hotte de cuisine ou d'une hotte micro-ondes au-dessus de la table de cuisson :

Suivez les instructions d'installation de la hotte de cuisinière ou de micro-ondes pour le dégagement dimensionnel au-dessus de la surface de cuisson.

2.4 Exigences du comptoir

Assurez-vous que le comptoir dans lequel la table de cuisson doit être installée répond à ces exigences pour une installation sécuritaire.

⚠ AVERTISSEMENT

Pour réduire le risque d'allumage dans un environnement combustible, installer à au moins 51 mm (2 po) du mur arrière.

- Le comptoir doit être de niveau et horizontal.
- La stabilité du comptoir doit être maintenue une fois la découpe effectuée.
- Les comptoirs à surface solide nécessitent souvent des installations spéciales. Par exemple, il peut être nécessaire d'appliquer du ruban réflecteur de chaleur et de découper des coins ronds.
- Communiquez avec le fabricant du plan de travail pour connaître les directives spécifiques à ce dernier.

3 Préparation préalable au montage

Créez la découpe dans le comptoir selon les instructions.

Exigences générales du comptoir :

- Maintenez un angle de coupe de 90 degrés par rapport au plan de travail.
- Avec les comptoirs multi-couches, fixez les bandes latéralement dans la découpe si nécessaire.
- Après la découpe, retirez les copeaux.
- Sceller les surfaces coupées de manière à résister à la chaleur et à l'eau.
- Respectez la distance minimale entre le dessous de l'appareil et les surfaces de l'armoire de 3/8 po (10 mm).

- Le comptoir qui accueillera la table de cuisson doit résister à des températures allant jusqu'à 90 °C (140 °F).
- Le comptoir dans lequel la table de cuisson est installée doit avoir au moins 13/16 po (20 mm) d'épaisseur.
- Si l'épaisseur du comptoir qui accueillera la table de cuisson ne respecte pas les spécifications, renforcez-le à l'aide d'un matériau résistant à l'eau et au feu jusqu'à atteindre l'épaisseur minimale. Sinon, vous pourriez ne pas obtenir une stabilité adéquate.
- Le comptoir qui accueillera la table de cuisson doit pouvoir résister à des charges d'environ 133 lbs (60 kg).
- Assurez-vous que la table de cuisson est de niveau uniquement après son installation.

3.1 Montage encastré

La table de cuisson peut être montée au ras du comptoir.

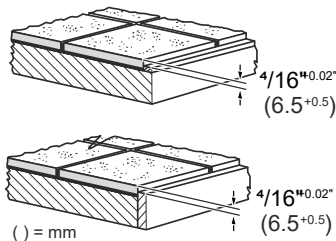
Remarques

- Tout travail de découpe sur le plan de travail doit être effectué dans un atelier selon le schéma d'installation.
- Le bord découpé est visible sur la surface après l'installation. Assurez-vous que la découpe est faite proprement et précisément.
- Nettoyez et dégraissez les bords découpés avec un produit de nettoyage approprié; suivez les instructions de traitement du fabricant de silicone.

Guide des matériaux de comptoir pour montage encastré

Reportez-vous au tableau suivant pour voir si un montage encastré est possible. Tous les matériaux de comptoir doivent être résistants à la température et à l'eau.

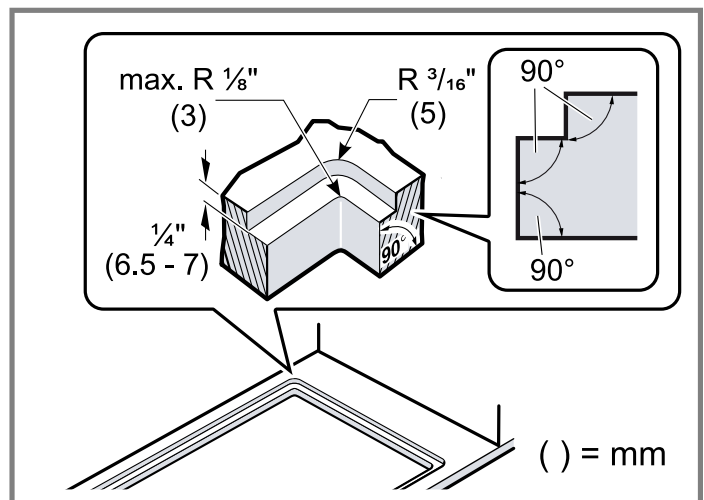
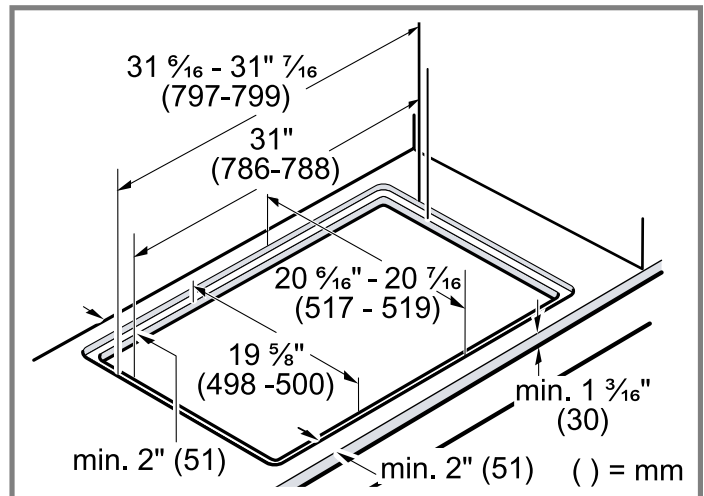
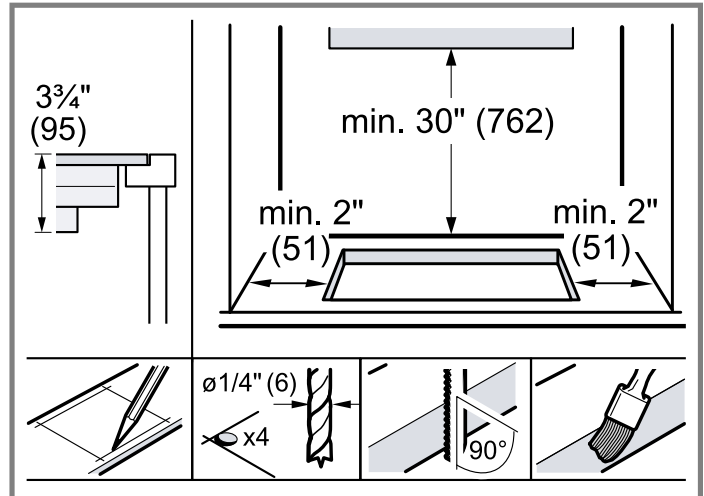
Matériau du comptoir	Notes
Pierre	Convient pour un montage encastré
Plastique, tel que Corian®	Convient pour un montage encastré
Bois massif	Uniquement en consultation avec le fabricant du comptoir. Sceller les bords de la découpe.
Surfaces carrelées	Convient pour un montage encastré Au besoin, soulevez les surfaces de soutien à l'aide de bandes résistantes à la chaleur et à l'eau.
Autres	Uniquement en consultation avec le fabricant du comptoir.
Panneaux de particules	Ne convient pas pour un montage encastré.



3.2 Dimensions de la découpe pour les tables de cuisson encastrées de 30 po

Reportez-vous à ces mesures pour les modèles indiqués ici.

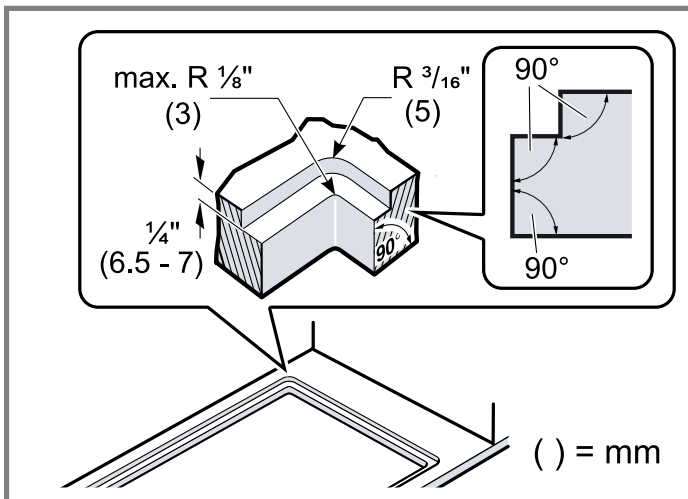
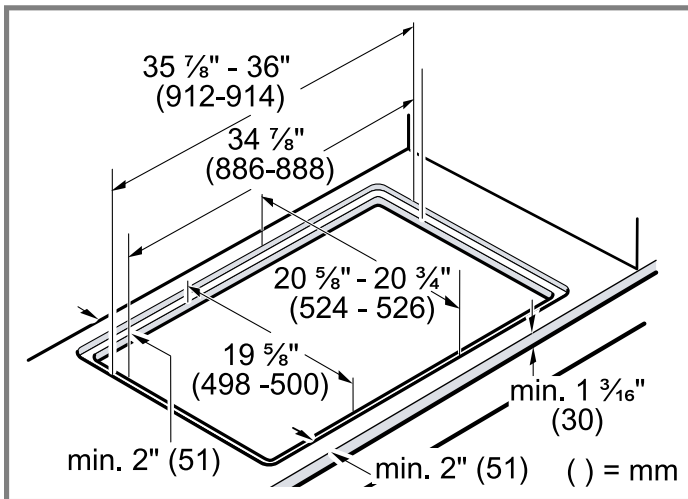
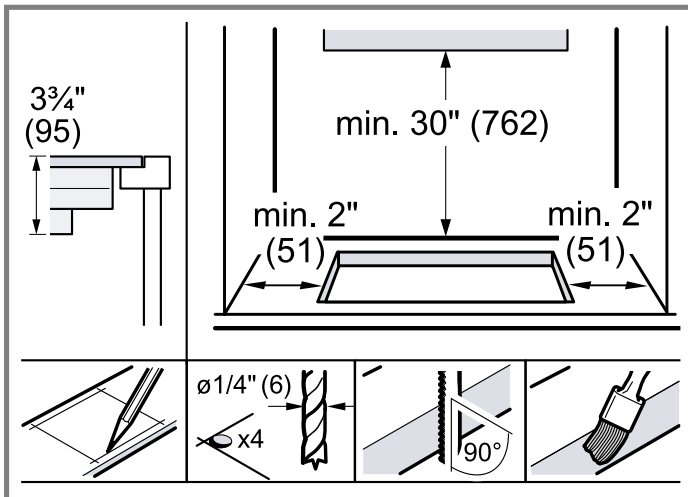
- CI 282 602



3.3 Dimensions de la découpe pour les tables de cuisson encastrées de 36 po

Reportez-vous à ces mesures pour les modèles indiqués ici.

- CI 292 602



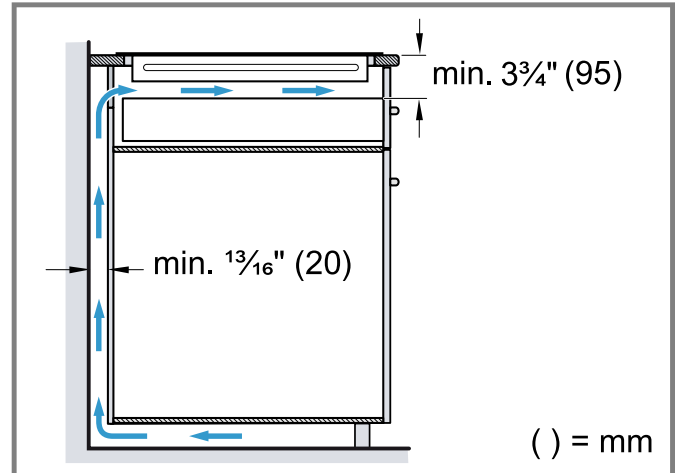
3.4 Exigences pour la ventilation

Pour assurer un fonctionnement adéquat de l'appareil électroménager, la table de cuisson DOIT être suffisamment ventilée.

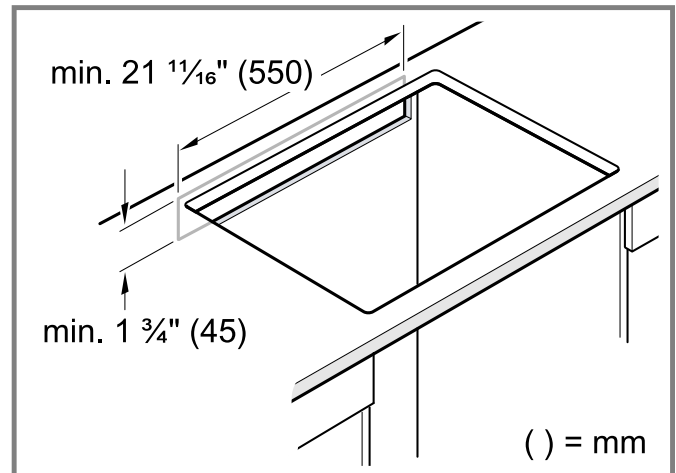
Puisque la ventilation dans la section inférieure de l'appareil électroménager nécessite un débit d'air frais suffisant, l'armoire doit être conçue de façon appropriée. Assurez-vous que l'armoire est conçue de manière à permettre une ventilation suffisante. Les conditions suivantes doivent être remplies :

Remarques

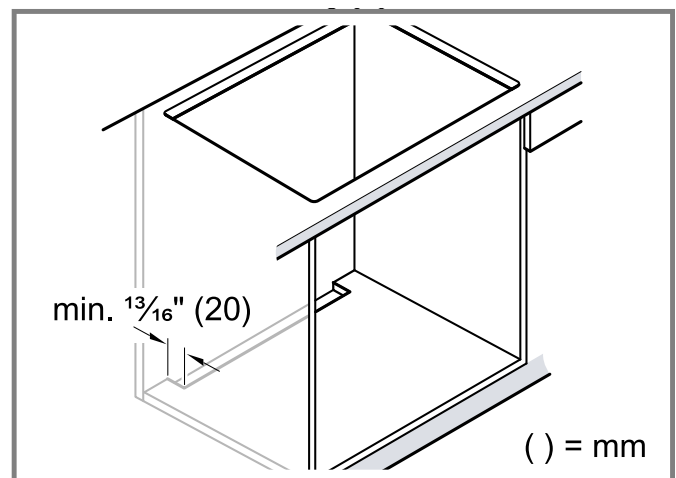
- Un dégagement minimum entre l'arrière de l'armoire et le mur de la cuisine, et entre la surface du comptoir et la partie supérieure du tiroir.



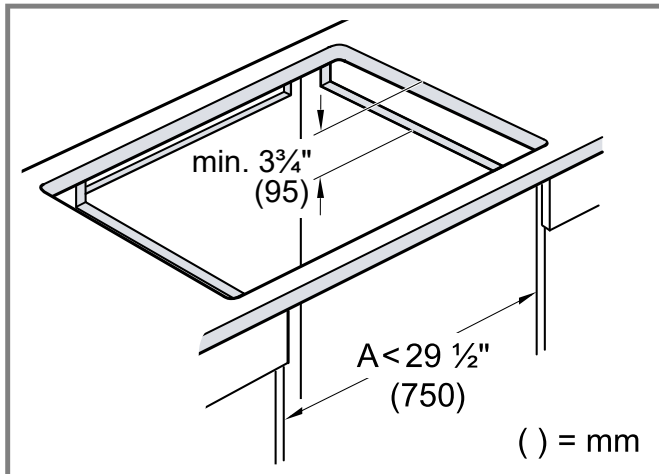
- Une ouverture en haut à l'arrière de l'armoire.



- Si le dégagement minimum de 13/16 po (20 mm) est absent à l'arrière de l'armoire, vous devez pratiquer une ouverture sur le dessous.



- Si l'intérieur de l'armoire n'est pas plus large que 750 mm (29 1/2 po), pratiquez des découpes dans les panneaux latéraux.



- Si l'appareil électroménager est installé dans un îlot ou un autre type d'installation qui n'est pas décrit dans le présent document, vous devez vous assurer que la table de cuisson est dotée d'une ventilation suffisante.

4 Procédure d'installation

Suivez ces instructions pour installer la table de cuisson dans le comptoir.

⚠ MISE EN GARDE

Bords tranchants.

- ▶ Utilisez des gants de protection lors de l'installation de l'appareil.

⚠ MISE EN GARDE

Cet appareil est lourd.

- ▶ Il est recommandé que deux personnes installent cet appareil.

4.1 Installation de l'écran thermique

Pour des raisons de sécurité, la tôle réfléchissante doit être correctement installée en présence d'armoire. La tôle empêche la surchauffe des éléments découlant de la recirculation de la chaleur tournante de la table de cuisson. La tôle réfléchissante est de la même largeur que la table de cuisson.

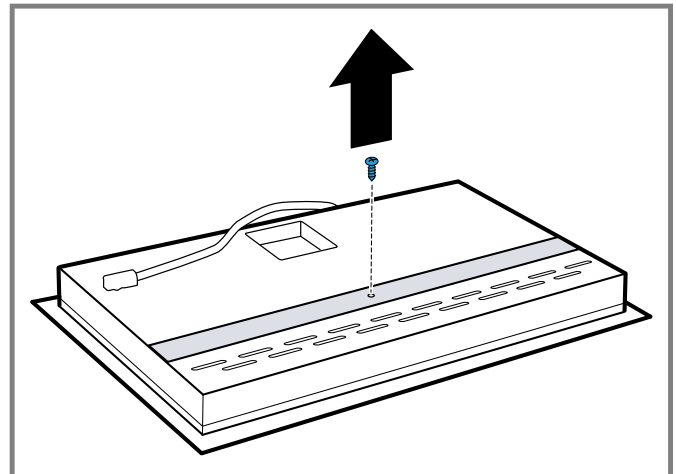
⚠ MISE EN GARDE

Bords tranchants.

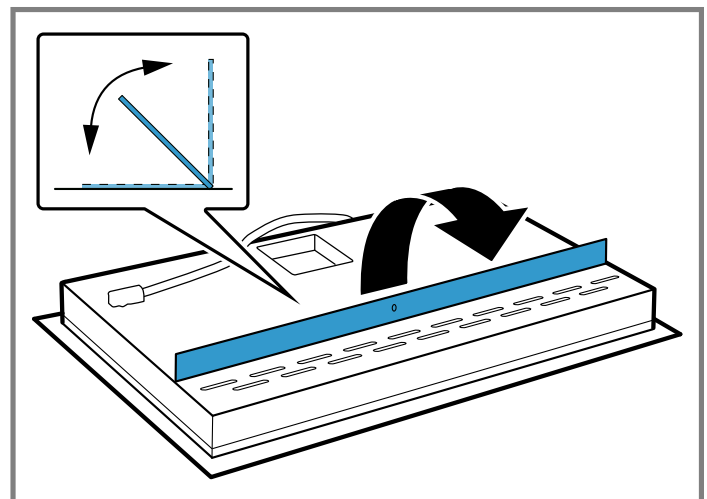
- ▶ Utilisez des gants de protection lors de l'installation de l'écran thermique.

Exigence : Vous avez déballé la table de cuisson.

- ▶ Pour le transport, l'écran thermique est vissé au bas de la table de cuisson. Dévissez la vis de fixation de l'écran thermique.

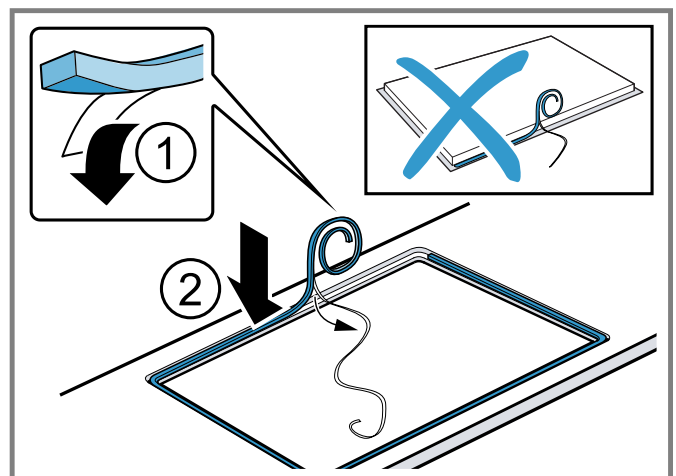


- ✓ Le bouclier thermique pourra tourner librement.



4.2 Fixation du ruban d'étanchéité pour une installation affleurante

- ▶ Fixez la bande adhésive d'étanchéité sur les bords de la découpe du comptoir.

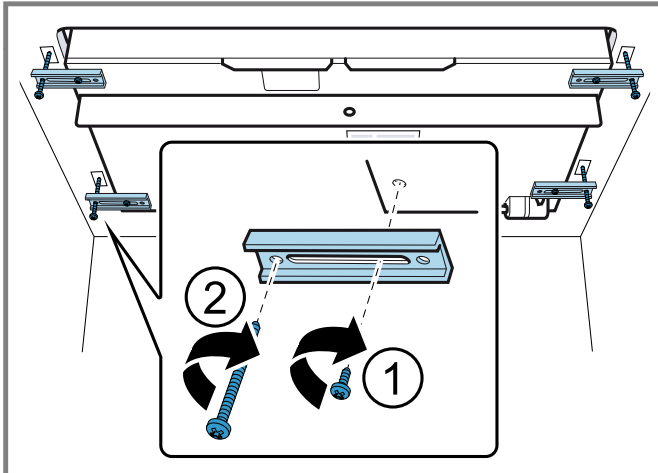


Remarque : N'appliquez pas la bande d'étanchéité sur le comptoir.

4.3 Fixation de la table de cuisson au comptoir

La table de cuisson doit être fixée par le bas à l'aide des supports de fixation fournis pour qu'elle ne glisse pas.

1. Placez la table de cuisson face vers le bas sur un sous-sol mou.
2. Fixez les supports de fixation au dessous de la table de cuisson à l'aide des vis courtes fournies ①. Ne serrez pas les vis.

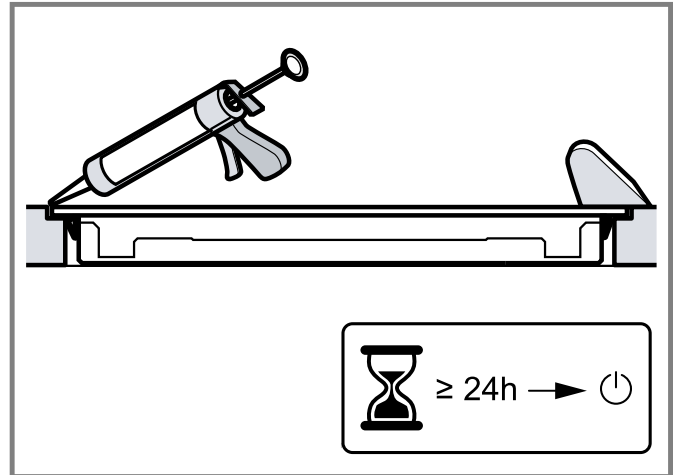


3. Faites pivoter les supports de fixation pour que l'appareil puisse être placé dans la découpe.
4. **⚠ MISE EN GARDE** Ne laissez pas la table de cuisson tomber en place.
 - ▶ Assurez-vous que la table de cuisson est soutenue le long des bords lorsque vous la placez soigneusement dans la découpe.

Retournez la table de cuisson et placez-la soigneusement dans la découpe du comptoir.
5. Insérez les vis de serrage dans le support de fixation et fixez la table de cuisson au plan de travail ②. Protégez les compteurs délicats en plaçant un disque en bois en dessous.
6. Serrez les vis du support de fixation sur le dessous de la table de cuisson.

7. Uniquement pour une installation encastrée :

- Effectuez le test d'installation avant d'effectuer cette étape.
- Jointoyer l'interstice environnant avec un adhésif silicone résistant à la température approprié.
- Lisser le joint d'étanchéité avec un agent de lissage recommandé par le fabricant. Suivez les instructions de traitement de la colle silicone.
- Laissez la colle silicone sécher complètement pendant au moins 24 heures, en fonction de la température ambiante, avant d'allumer l'appareil.



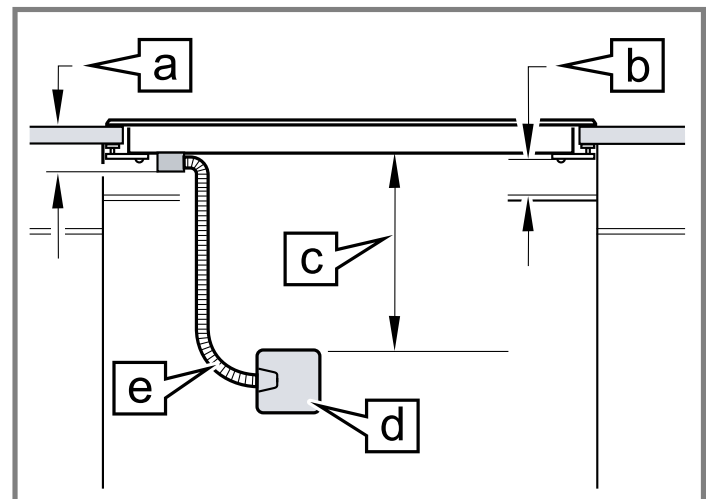
5 Raccordement électrique

Lisez ces instructions pour connecter votre appareil en toute sécurité à l'alimentation électrique.

5.1 Exigences électriques

Assurez-vous que les conditions générales suivantes sont remplies.

- Vous pouvez trouver la plaque signalétique avec les spécifications électriques sur la face inférieure de l'appareil.
 - "Emplacement de la plaque signalétique", Page 21
- La boîte de jonction doit être située à moins de 3 pieds de la connexion de la table de cuisson. Il doit être facilement accessible à des fins de service.



a max. 2³/₄ po (69 mm) + raccord/conduit 1 po (25 mm)

b	min. 1 po (25 mm) d'un tronçon d'air libre
---	--

c	environ 12 po (300 mm)
---	------------------------

d	boîte de jonction
---	-------------------

e	conduit flexible env. 3 ft. (900 mm)
---	--------------------------------------

Alimentation

Tous les modèles doivent être connectés avec le conduit flexible de 39 po (1 m) inclus.

Modèles	240 V CA, 3 fils, système 60 Hz : disjoncteur	208 V CA, 3 fils, système 60 Hz : disjoncteur
CI 482 602	30 A	30 A
CI 492 602	50 A	50 A

5.2 Connexion de l'alimentation électrique

⚠ AVERTISSEMENT

Avant l'installation, couper l'alimentation au panneau de service.

- ▶ Verrouiller le panneau de service pour empêcher que l'alimentation ne soit rétablie par accident.

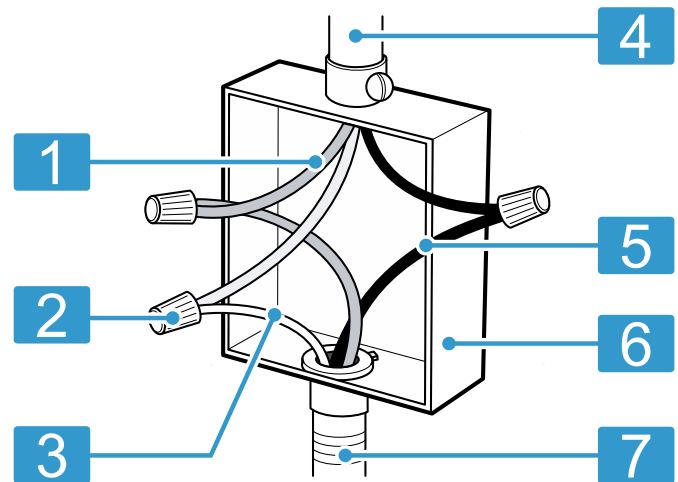
Remarque : Si la table de cuisson est installée et connectée comme spécifié ici, elle sera mise à la terre conformément au National Electrical Code.

1. Installez une boîte de jonction convenable (non fournie).

L'intensité des disjoncteurs de dérivation, les dimensions des câbles et les connexions doivent être conformes aux exigences du Code national de l'électricité ou du Code canadien de l'électricité et à tous les codes et règlements locaux.

2. Fixez le conduit flexible au boîtier de jonction.

3. Connectez les fils conducteurs aux fils d'alimentation de la boîte de jonction dans la phase appropriée.



1	Fils rouges
2	Connecteurs pour fils homologués UL
3	Fil de terre vert (ou nu) (de l'appareil)
4	Câble d'alimentation électrique domestique
5	Fils noirs
6	Boîte de jonction
7	Conduit flexible de l'appareil

- Fils noirs de la table de cuisson au fil noir de la maison
- Fils rouges de la table de cuisson au fil rouge de la maison
- Vert ou nu au sol

6 Inspecter l'installation

Vérifiez si votre appareil fonctionne correctement après avoir terminé les étapes d'installation.

⚠ AVERTISSEMENT

Avant de mettre sous tension la source d'alimentation, vérifiez que toutes les commandes sont à la position OFF (Arrêt).

1. Retirez tout de la surface de cuisson, y compris les autocollants.
2. Nettoyez la surface de cuisson avec de la crème nettoyante pour table de cuisson.
3. Activez le disjoncteur.
4. Vérifiez que toutes les zones de cuisson fonctionnent correctement.

7 Dépose de l'appareil

1. Débranchez l'appareil de l'alimentation électrique.
2. Pour les appareils encastrés, retirez le joint en silicone.
3. **AVIS** : Ne soulevez pas l'appareil par le haut au niveau du cadre.
Poussez l'appareil par le bas.

8 Service à la clientèle

Contactez notre service à la clientèle si vous avez des questions, si vous n'arrivez pas à corriger un défaut de l'appareil ou si ce dernier doit être réparé.

Lors de toute réparation réalisée dans le cadre de la garantie, nous nous assurons que votre appareil est réparé avec des pièces de rechange d'origine par un technicien dûment formé et agréé. Nous utilisons exclusivement des pièces de rechange d'origine lors des réparations.

Pour plus d'informations sur la durée et les conditions de la garantie dans votre pays, consultez nos modalités de garantie auprès de votre détaillant ou sur notre site Web. Si vous contactez le service à la clientèle, indiquez le numéro de modèle (E-Nr.) et le numéro de fabrication (FD) de l'appareil.

USA:

1-877-442-4436

www.gaggenau.com

www.gaggenau.com/us/appliances/eshop

CA:

1-877-442-4436

www.gaggenau.com

www.gaggenau.ca

Vous trouverez également de l'aide pour contacter Home Connect™ à l'adresse suivante :

www.home-connect.com/us/en/help-support/set-up

8.1 Numéro de modèle (E-Nr.) et numéro de fabrication (FD)

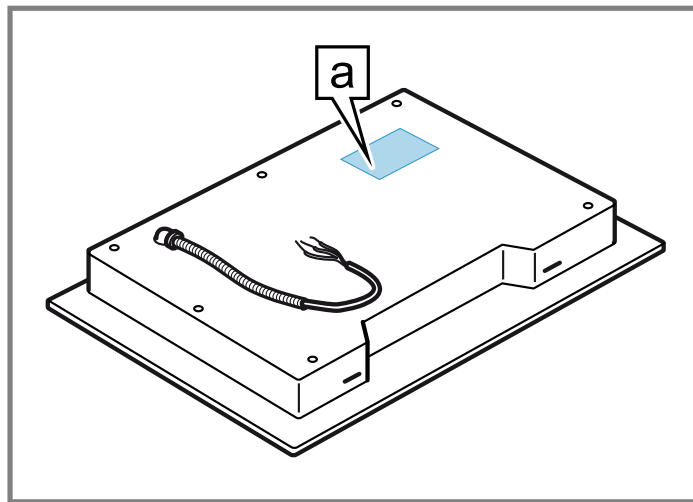
Le numéro de modèle (E-Nr.) et le numéro de fabrication (FD) sont indiqués sur la plaque signalétique de l'appareil. Vous trouverez également le numéro de modèle (E-Nr.) sur la vitrocéramique. Par ailleurs, vous trouverez l'index du service après-vente (KI) et le numéro de fabrication (FD) dans les réglages de base.

Pour retrouver rapidement les données de votre appareil et le numéro de téléphone du service à la clientèle, n'hésitez pas à les recopier ailleurs.

8.2 Emplacement de la plaque signalétique

Vous trouverez la plaque signalétique de votre appareil :

- sur la face inférieure de l'appareil
- sur le ticket de l'appareil
- Vous pouvez également vérifier l'index du service client (CSI) et le numéro FD dans les paramètres de base.



a Plaque signalétique



A series of 25 horizontal lines spanning the width of the page, providing a ruled area for writing.

BSH Home Appliances Corporation

1901 Main Street, Suite 600

Irvine, CA 92614

USA

www.gaggenau.com

1-877-442-4436

© 2021 BSH Home Appliances Corporation

GAGGENAU



9001444983 en-us, fr-ca (011109)