



**CG280211CA**  
**200 series gas cooktop**  
**Width 30" (76 cm)**  
**Natural gas.**  
**Multi-ring burner with up to 17000 BTU**

Control panel for comfortable and secure operation  
Mechanical power level regulation for 9 power levels, with exact setting and reproduction of flame size  
Solid smooth-surface cast-iron pan support  
Up to 42700 BTU (12.5 kW) on 5 burners

#### Cooking zones

1 multi-ring wok burner (17000 BTU).  
1 high output burner (10300 BTU).  
2 standard burners (6000 BTU).  
1 economy burner (3400 BTU).

#### Operation

Control knobs with illuminated ring.  
Integrated control panel.  
One-handed operation.  
Electric ignition.

#### Features

Three-part cast iron pan support with flat, continuous pot surface.

#### Safety

Thermoelectric safety pilot.  
Residual heat indicator.  
Operation indicator.

#### Planning notes

Appliance can be snapped into the countertop from above.  
The rear panel must consist of a non-flammable material. Wall trims must be resistant to heat.  
Above countertop minimum clearance of at least 13" from adjacent heat-sensitive furniture or contact surfaces must be observed or thermal insulation must be installed.  
Minimum distance between gas cooktop(s) with more than 37,533 BTU (11kW) and ventilation hood must be 30" (76cm).  
Appliance weight: approx. 20 kg.

#### Rating

Total rating: 42700 BTU (12.5 KW).  
Total Amps: 1 A. 120 V / 60 Hz  
120 V / 60 Hz.  
Connecting cable 40" (1.0 m) with plug.

#### Product Features

**Knob Material**  
Full metal

**Sealed Burners**  
Yes

**Burners with booster**

**Type of grate**  
Cast iron

**Total BTU load**  
42700

**LP Gas Connection Rating**  
42700

**Power of heating element (kW in boost)**

**Dimension of 1st heating element (in)**

**Dimension of 2nd heating element (in)**

**Power of 3rd heating element (kW in boost)**

**Dimension of 3rd heating element (in)**

**Power of 4th heating element (kW in boost)**

**Dimension of 4th heating element (in)**

**Power of 5th heating element (kW in boost)**

**Dimension of 5th heating element (in)**

**Power of 6th heating element (kW in boost)**

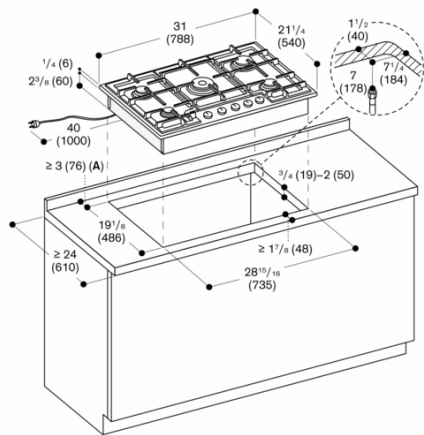
**Dimension of 6th heating element (in)**

#### Consumption and connection features

2022-06-01  
Page 1

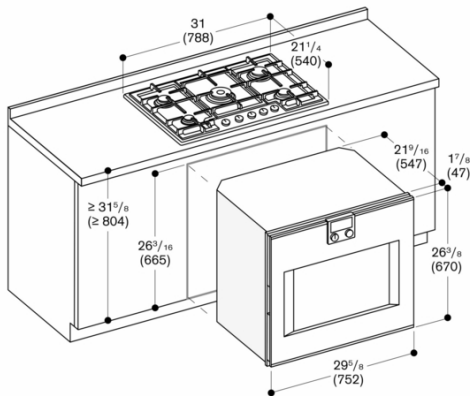
#### Color Variants

**CG280211CA**  
**Width 30" (76 cm)**  
**Natural gas.**



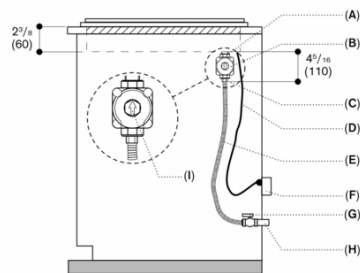
A: ≥ 3" (100 mm) for installation in a kitchen island  
 Measurements in inches (mm)

Combination CG 280 with BO 480



Measurements in inches (mm)

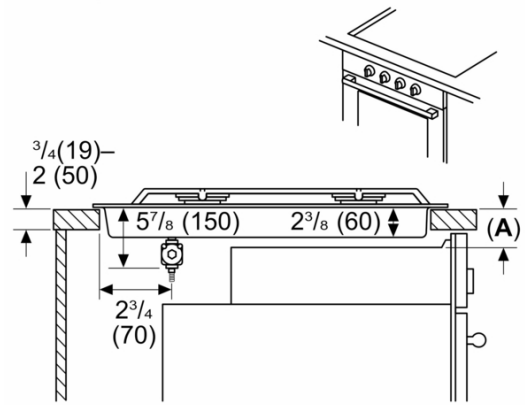
Side view - gas cooktop installation



A: 3/8" (9.5 mm) NPT  
 B: Gas regulator  
 C: 1/2" (12.7 mm) NPT  
 D: Power cable 40' (1 m)  
 E: Flexible gas line  
 F: 120 V socket  
 G: Gas cut-off valve  
 H: Gas supply line stub-out  
 I: Arrow on the pressure regulator shows the direction of gas flow

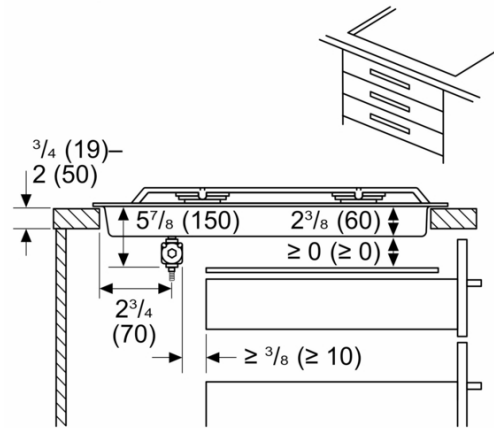
Measurements in inches (mm)

Measurements in inches (mm)  
 Cooktop over oven



A: Refer to approved combination matrix

Measurements in inches (mm)  
 Cooktop over drawer



Measurements in inches (mm)  
 Cooktop over door

