



BS471612
Combi-steam oven 400 series
Stainless steel-backed full glass door
Width 60 cm
left-hand
Controls at the top

Handleless door / automatic door opening
 Fixed inlet and outlet water connection
 Cleaning system, fully automatic
 Large cavity
 2 LED light sources
 Steaming without pressure
 Hot air 30 °C to 230 °C can be combined with chosen humidity level of 0%, 30%, 60%, 80% or 100%
 Sous-vide cooking with accurate temperature regulation
 Full surface grill behind glass ceramic, combinable with circulated air up to 230 °C and steam
 Automatic programmes
 Core temperature probe with estimation of cooking time
 TFT touch display
 Panel-free appliance with surface control module
 Net volume 50 litres

Heating methods
 Hot air + 100 % humidity. Hot air + 80 % humidity. Hot air + 60 % humidity. Hot air + 30 % humidity. Hot air + 0 % humidity. Low temperature cooking. Sous-vide cooking. Full surface grill level 1 + humidity. Full surface grill level 2 + humidity. Full surface grill + circulated air. Dough proofing. Defrosting. Regenerating.

Handling
 Automatic door opening.
 Rotary knob and TFT touch display operation.
 Clear text display.
 Option to save individual recipes (incl. core temperature probe).
 Personalisation of automatic programmes.
 Information key with use indicators.
 Side-opening door opens up to 180° angle.

Features
 Full surface grill 2000 W behind glass ceramic.
 Steam removal.
 Misting.
 Three-point core temperature probe with automatic shut-off and estimation of cooking time.
 Automatic programmes.
 Actual temperature display.
 Timer functions: cooking time, cooking time end, timer, stopwatch, long-term timer.
 Automatic boiling point detection.
 Capacity display for filter cartridge (if connected to GF 111 100 descaling system).
 Hygienic stainless steel cooking interior.
 3 tray levels.
 Home network integration for digital services (Home Connect) either via cable connection LAN (recommended) or wireless via WiFi.
 The use of the Home Connect functionality depends on the Home Connect services, which are not available in every country. For further information please check: home-connect.com.

Safety
 Child lock.
 Safety shut-off.

Product Features
Cooking mode
 , Defrost, fermentation, grill + steam, Hot Air, Hot air + steam 100%, Hot air + steam 30%, Hot air + steam 60%, Hot air + steam 80%, Hot air grilling, Regeneration
Time-setting Options

Consumption and connection features
UPC code
 825225944218
Product color
Alternative colors available
Energy source
 Electric
Watts (W)
Current (A)
 16
Volts (V)
 208/220-240
Frequency (Hz)
 60

Approval certificates
 CSA, ETL, UL
Power cord length (in)
 6 1/8
Plug type
 no plug

Overall appliance dimensions (HxWxD) (in)
 17 15/16 x 23 1/4 x 21 1/4
 18 1/16 x 22 1/16 x 21 11/16

Product packaging dimensions (HxWxD) (in)
 22 5/8 x 26 x 27 3/16
 118

Gross weight (lbs)
 123.000

Power cord length (cm)
 156

Required cutout size (HxWxD) (mm)
 450-450 x 560-560 x 550

Overall appliance dimensions (HxWxD) (mm)
 455 x 590 x 540

Product packaging dimensions (HxWxD) (mm)
 585 x 825 x 695

Net weight (kg)
 53.373

Gross weight (kg)
 55.8

2020-09-03
 Page 1

Cooled housing with temperature protection.

Cleaning
 Cleaning programme, fully automatic.
 Drying programme.
 Strainer filter, removable.
 Demo cleaning programme.

Planning notes
 Door hinge not reversible.
 No other electrical appliances should be installed above the BS.
 At no point may the outlet hose be positioned higher than the bottom edge of the appliance. The outlet hose must also be at least 100 mm lower than the appliance outlet (see drawing "drainage connection").
 Inlet hose can be extended once.
 The outlet hose must not be longer than a maximum of 5 m.
 The water connection (1) for the inlet hose must always be accessible and not located directly behind the appliance.

The connection of the outlet hose to the siphon (2) must not be directly behind the appliance and should be accessible.

The descaling system GF 111 100 (3) must be installed when connecting the appliance if the water hardness exceeds 7° dH.

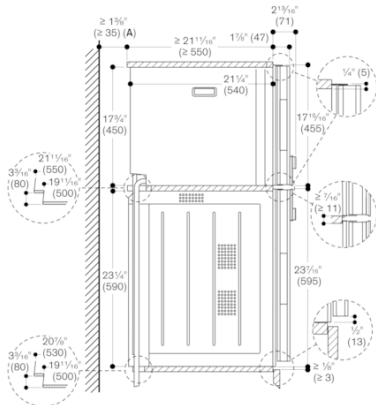
When planning a corner solution, pay attention to the 90° door opening angle.

The mains socket needs to be planned outside the built-in niche.

Connection
 Total connected load 3.1 KW.

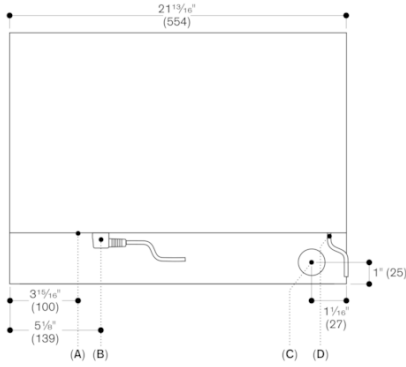
Only cold water connection.
 Total Amps: 16 A.
 208 / 220 - 240 V / 60 Hz.
 Connection cable 1.6 m without plug.
 Power consumption standby/display off 0.5 W.
 Power consumption standby/network 1.8 W.
 Please check the user manual for how to switch off the WiFi module.
 Automatic drying of the cavity at the end of the cooking process.

Side view of BS 474/475 above BO

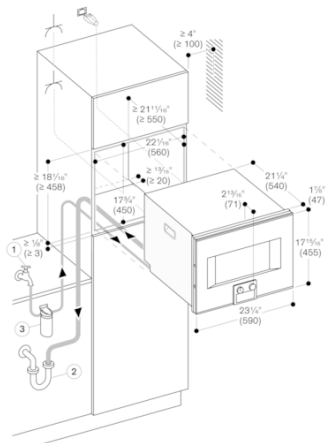


A: Only required if the water hoses for the BS steam oven cannot be accommodated in the corner recesses of the appliances.
 measurements in inches (mm)

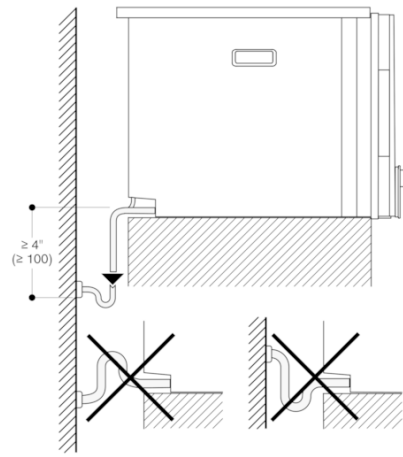
View from rear



A: LAN connection
 B: Electric terminal box
 C: Water outlet
 D: Cold water inlet
 measurements in inches (mm)



Socket
 measurements in inches (mm)



measurements in inches (mm)