



BO451612
Oven 400 series
Stainless steel-backed full glass door
Width 60 cm
left-hand
Controls at the top

Handleless door / automatic door opening
 Pyrolytic system
 13 heating methods with core temperature probe and baking stone function
 Automatic programmes
 Core temperature probe with estimation of cooking time
 TFT touch display
 Panel-free appliance with surface control module
 Electronic temperature control from 30 °C to 300 °C
 Net volume 76 litres

Heating methods
 Hot air. Eco hot air. Top + bottom heat. Top heat. Bottom heat. Hot air + bottom heat. Full surface grill + circulated air. Full surface grill. Compact grill. Baking stone function. Roaster function. Dough proofing. Defrosting.

Handling
 Automatic door opening.
 Rotary knob and TFT touch display operation.
 Clear text display.
 Option to save individual recipes (incl. core temperature probe).
 Personalisation of automatic programmes.
 Information key with use indicators.
 Side-opening door opens up to 180° angle.

Features
 Three-point core temperature probe with automatic shut-off and estimation of cooking time.
 Baking stone socket.
 Actual temperature display.
 Rapid heating.
 Timer functions: cooking time, cooking time end, timer, stopwatch, long-term timer.
 60 W halogen light on the top.
 10 W halogen light on the side.
 Enamelled side shelf supports with 4 tray levels, pyrolysis-safe.
 Home network integration for digital services (Home Connect) either via cable connection LAN (recommended) or wireless via WiFi.
 The use of the Home Connect functionality depends on the Home Connect services, which are not available in every country. For further information please check: home-connect.com.

Safety
 Thermally insulated door with quadruple glazing.
 Child lock.
 Safety shut-off.
 Cooled housing with temperature protection.

Cleaning
 Pyrolytic system.
 Gaggenau enamel.
 Heated catalyser to clean the oven air.

Planning notes
 Door hinge not reversible.
 When planning a corner solution, pay attention to the 90° door opening angle.
 The mains socket needs to be planned outside the built-in niche.

Connection
 Total connected load 4.0 KW.
 Total Amps: 17 ^A

Product Features
Cooking mode
 Baking stone function, Bottom heat, Conventional heat, Defrost, Dough proving setting, Full width grill, Half width grill, Hot Air, Hot Air-Eco, Hot air grilling, Roaster function, Top heat
Integrated Cleaning system
 Self Clean
Interior Lights - cavity 1
 2
Pull-out system
 Accessory
Timer settings
 Alarm, Off, On, timer
 x enamel baking tray, suit. pyrolytic clean, x grill shelf, x grill tub with grid, x pluggable meat probe
Bake Element Wattages cavity 1 (W)
 1300
Broil Element Wattages cavity 1 (W)
 3000
Convection Element Wattages cavity 1 (W)
 2100
Microwave Wattages (W)
Drawer wattage (W)

Consumption and connection features
UPC code
 825225957423
Product color
Alternative colors available
Energy source
 Electric
Watts (W)
 4030
Current (A)
 17
Volts (V)
 208/220-240
Frequency (Hz)
 60
Approval certificates
 CSA, ETL, UL
Power cord length (in)
 39 3/8
Power cord length (cm)
 100
Plug type
 fixed connection
 23 1/4 " x 22 1/16 x 21 11/16 "
Required cutout size (HxWxD) (mm)
 590-590 x 560-560 x 550
Overall appliance dimensions (HxWxD) (mm)
 595 x 590 x 547
Product packaging dimensions (HxWxD) (in)
 30 11/16 x 26 3/4 x 29 15/16
Product packaging dimensions (HxWxD) (mm)
 760 x 700 x 660
Net weight (lbs)
 127.000
Net weight (kg)
 57.500
Gross weight (lbs)
 136.000
Gross weight (kg)
 61.6
2020-09-03
Page 1

208 / 220 - 240 V / 60 Hz.
 Connection cable 1.0 m without plug.
 Power consumption standby/display off 0.5 W.
 Power consumption standby/network 1.4 W.
 Please check the user manual for how to switch off the WiFi module.

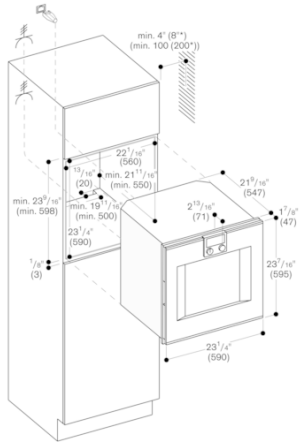
Color Variants
BO451612
Stainless steel-backed full glass door
Width 60 cm

Included accessories
 x enamel baking tray, suit. pyrolytic clean.
 x grill shelf.
 x grill tub with grid.
 x pluggable meat probe.

Optional accessories
BA016165
Pull-out system
BA026115
Baking tray, enameled
BA036165
Wire rack, chromium-plated
BA056115
Heating element for baking stone and cast-iron roaster
BA056133
Baking stone
BA226105
Broil pan, enameled
BS020002
Pizza peel, additional set of 2
GN340230

Product Variants
BO450612
Oven 400 series
Stainless steel-backed full glass door
Width 60 cm
right-hand
Controls at the top

BO451612
Oven 400 series
Stainless steel-backed full glass door
Width 60 cm
left-hand
Controls at the top
2020-09-03
Page 2



* 8" (200 mm) in conjunction with BA 016