



Color Variants

BO451610

Included accessories

- 1 x enamel baking tray, suit. pyrol. clean..
- 1 x grill shelf.
- 1 x grill tub with grid.
- 1 x pluggable meat probe.

Optional accessories

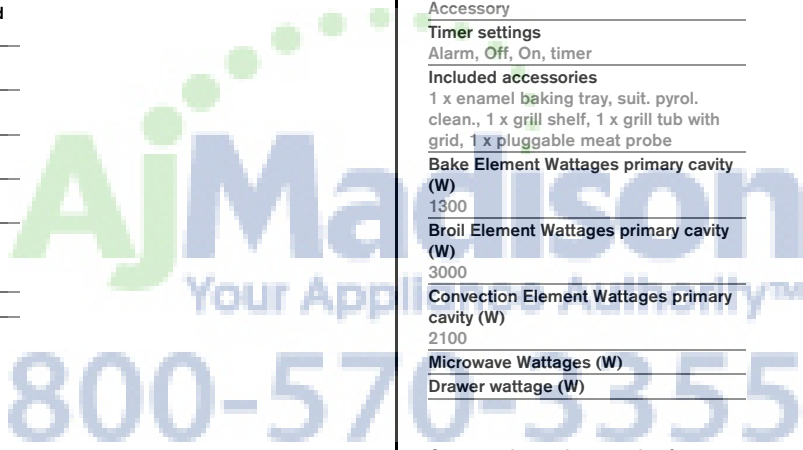
- BA016103
Pull-out system
- BA026113
Baking tray, enameled
- BA036103
Wire rack, chromium-plated
- BA046113
Glass tray
- BA056113
Heating element for baking stone and cast-iron roaster
- BA056133
Baking stone
- BA226103
Broil pan, enameled
- BS020002
Pizza peel, additional set of 2
- GN340230
Non-stick aluminum cast-iron roaster

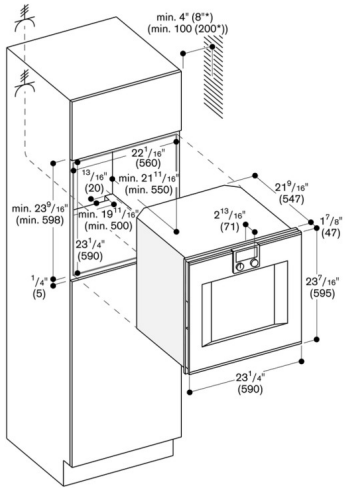
Product Variants

BO450610

Product Features

Product color	Stainless steel
Construction type	Built-in
Cleaning system - primary cavity	Self Clean
Required cutout size (HxWxD) (mm)	590 x 560 x 550
Overall appliance dimensions (HxWxD) (mm)	595 x 590 x 547
Control Panel Material	without panel
Door Material - primary cavity	Stainless steel behind glass
Net weight (kg)	57.000
Usable volume of cavity (l)	76
Cooking method primary cavity	, , , , Bake, Defrost, Full width grill, Hot air and 1/1 bottom heating, Hot Air-Eco, Max Convection Broil, Proof, Sabbath function, Top heat, True Convection
Primary cavity material	Enamel
Temperature control - primary cavity	electronic
Number of interior lights	2
Approval certificates	ETL
Power Cord Length	100.0
Interior Lights - primary cavity	2
Pull-out system	Accessory
Timer settings	Alarm, Off, On, timer
Included accessories	1 x enamel baking tray, suit. pyrol. clean., 1 x grill shelf, 1 x grill tub with grid, 1 x pluggable meat probe
Bake Element Wattages primary cavity (W)	1300
Broil Element Wattages primary cavity (W)	3000
Convection Element Wattages primary cavity (W)	2100
Microwave Wattages (W)	
Drawer wattage (W)	
Consumption and connection features	
Energy consumption conventional (kWh) - primary cavity	1.31
Energy consumption forced air convection (kWh) - primary cavity	0.97
Watts (W)	4030
Current (A)	17
Volts (V)	208/220-240
Frequency (Hz)	60
Plug type	fixed connection
UPC code	825225802884
Product color	Stainless steel
Alternative colors available	
Energy source	Electric
Approval certificates	ETL
Power Cord Length	39 3/8
Required cutout size (HxWxD) (in)	23 1/4 " x 22 1/16 " x 21 11/16 "
Product packaging dimensions (HxWxD) (in)	30.70 x 26.77 x 29.92
Net weight (lbs)	125





* 8" (200 mm) in connection with BA 016 103


AjMadison
Your Appliance Authority™
800-570-3355