

# 30" OVERLAY BUILT-IN FRIDGE



CODE ID

PANEL READY REFRIGERATOR

**FM4BM30IFBI**



LED lighting



Total No Frost



Noise Level 43 (dB)



Deep-freezing



Active cooling



Integrated Installation



Extended Preservation Mode

## SPECIFICATIONS

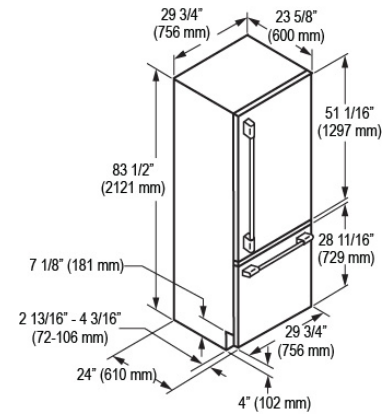
Contemporary European design  
Large and legible digital display  
Soft-close crispener  
Soft-close large pantry drawer, adjustable temperature  
Spill-proof glass shelves  
LED lighting  
Water dispenser  
Ice maker  
Height adjustable cantilever shelves  
Field reversible doors  
3D door adjustment, for easy door panel alignment  
Appliance leveling from the front  
115°/90° opening flush hinge, allowing true integrated install  
Ultra quiet 43 dB(A)  
Sabbath mode

## OPTIONAL ACCESSORIES

F4PANEL30BMSS  
30" Stainless Panel kit  
  
F4HKPRO30BM  
SOFIA Fridge Handle Kit  
  
F4HKDIST30BM  
Distinto Fridge Handle Kit

# 30" BUILT-IN FRIDGE

PANEL READY REFRIGERATOR



CODE ID	30" BUILT-IN FRIDGE FM4BM30IFBI	
Finish	Panel Ready	
<b>PERFORMANCES/CAPACITY</b>		
Cooling system	Dual Evaporator / Frost Free	
Control system	Electronic	
Energy Star Qualified	Yes	
Refrigerant	R600a	
Noise Level dB(A)	43	
Total net volume, cu. ft. (liters)	16 (453)	
Fresh food net volume, cu. ft. (liters)	11.5 (326)	
Freezer net volume, cu. ft. (liters)	4.5 (127)	
<b>FEATURES</b>		
<b>Fridge Compartment</b>		
Fresh Water dispenser	•	
Control Display	LED	
Automatic Defrost	Yes	
Interior Lighting	LED - Side walls, ceiling	
Spill-proof Shelves	3	
Crispers	1	
Extended preservation drawer	1	
Door Bins	3 (2+1 gallon rack)	
Compressor	Variable speed with inverter (VCC)	
Fan Assisted Cooling	Yes	
<b>Freezer</b>		
Automatic Ice-Maker	•	
Automatic Defrost	Yes	
Large Freezer Drawer	1	
Metal Interior Freezer Drawerer	1	
<b>DIMENSIONS/WEIGHT</b>		
Width	29 - 11/16"	754 mm
Height	83 - 1/4"	2115 mm
Depth	23 - 5/8"	600 mm
Product Weight	496 lbs	225 kg
<b>RECOMMENDED PANEL DIMENSIONS</b>		
<b>Fridge Panel</b>		
Height	51 - 1/16"	1297 mm
Width	29 - 3/4"	756 mm
Thickness	Min 3/4" Max 1 - 1/4"	Min 19 mm Max 32 mm
Maximum Weight	34.6 lbs	15.7 kg
<b>Freezer Panel</b>		
Height	28 - 11/16"	729 mm
Width	29 - 3/4"	756 mm
Thickness	Min 3/4" Max 1 - 1/4"	Min 19 mm Max 32 mm
Maximum Weight	19.4 lbs	8.8 kg
<b>POWER / RATINGS</b>		
Dedicated Circuit, V/Amps	120 V - 15 A	
Supply voltage, V/Hz	120 V - 60 Hz	
Rated Current, Amps	2	