

# 24" DISTINTO DRAWER MICROWAVE

MICROWAVE OVEN



CODE ID

**F7DMW24S2**



Sensor Cooking



Power Selection



Touch Controls



Presets



950 Watts



Auto Defrost



Child Safety Lock

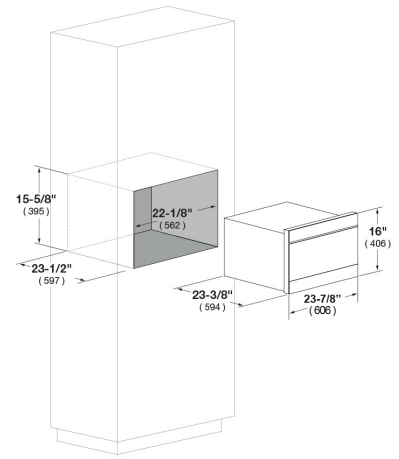
## SPECIFICATIONS

### FEATURES

Flexible installation  
Stainless steel design  
Incandescent interior light  
Touch control  
Built-in airflow control for flush mounting  
transparent door glass  
Accessible height allows you to easily lift  
hot foods

# DISTINTO

## 24" DRAWER MICROWAVE



CODE ID	24" BUILT-IN MICROWAVE - F7DMW24S2
MW Types	Drawer
Drawer Opening	Open/Close Button
Finish	Stainless Steel / Black Glass
Oven Floor	Patterned Glass
<b>CONTROL PANEL</b>	
Control Panel Location	Center Top
Control Panel Type	Touch control
Display Type	LCD
Display Color	White on Black Background
<b>CAPACITIES</b>	
Cavity Size ( cu.ft )	1.2
<b>FEATURES</b>	
Timer/Setting	•
Power Selection	11 levels
Output Power (watts)	950
Interior Light	Incandescent
Start/+30 Sec	•
Clock	•
Multi-Stage Cooking	4
Control Lock	•
Demo Mode	•
Microwave ON Indicator	•
End of Cooking Reminder	•
Auto Start	•
Standby Mode	•
Sensor	Popcorn / Reheat
Sensor Cook Menu	11 ( Baked Potatoes, Sweet Potatoes, Fish/ Seafood, Brown Rice, White Rice, Quick Fresh Vegetables, Longer Fresh Vegetables, Steamer Bag, Frozen Vegetables, Ground Meat, Frozen Entrees )
Melt, Soft & Warm Options	5 ( Butter, Chocolate, Ice Cream, Cream Cheese, Syrup, Dessert Topping )
Defrost	6 ( Ground Meat, Steaks/Chops, Boneless Poultry, Bone-in Poultry, Roast, Casserole or Soup )
Other Menus	3 ( Beverage Reheat, Hot Water, Hot Cereal )
<b>TECHNICAL FEATURES</b>	
Energy Output	950 W
Supply Voltage, V/Hz	120V/ 60Hz
Rated Current, A	13.6 A
<b>DIMENSIONS</b>	
Cavity Dimension (WxDxH)	17-5/16" x 16-9/16" x 7-1/8"
Exterior Dimension (WxDxH)	23-7/8" x 23-3/8" x 16-5/16"
Carton Dimension (WxDxH)	29-1/4" x 27-7/8" x 21-1/2"
Net Weight / Gross Weight	74.0 lbs / 85.8 lbs
<b>INSTRUCTIONS FOR USE</b>	
Use & Care Manual / Installation Manual	English / French