

SOFIA PROFESSIONAL 48"



CODE ID

48" GAS RANGE TOP

F6GRT486GS1



Heavy Duty Grates



Continuous Grate Surface



Dual Crescendo Burner



Trilaminar Stainless Steel Griddle

OPTIONAL ACCESSORIES

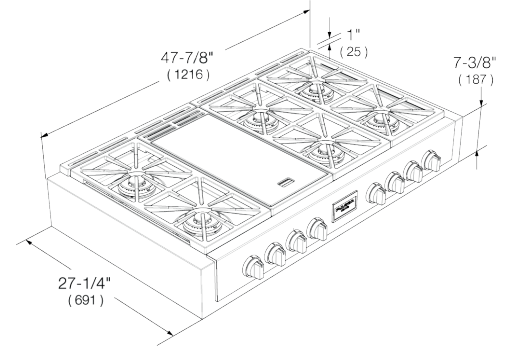
FMWOK	Wok ring
FMSIM	Simmer plate
F6BG48BCI	Island trim
F6BG48STD	Standard trim
F6BG48HBT	High back trim

COOKING SURFACE

3 Heavy Duty, continuous cast iron grates
Trilaminar Stainless Steel Griddle with
Tubular Gas Burner
11,500 BTU high / 2,000 BTU low
Matte finish porcelain burner bowl
6 Dual-Flame Crescendo Burners
2 X 20,000 BTU max (NG)
4 X 18,000 BTU max (NG)
Natural Gas (LP convertible)

SOFIA

48" GAS RANGE TOP



CODE ID	F6GRT486GS1	
Series and Finish	Professional Design - Stainless Steel	
COOKTOP		
Type	NG - Natural Gas / LP - Liquid Propane	
Cooking Surface	Black Enameled	
GAS COOKTOP FEATURES		
	Electric Re-ignition system	Dual Brass Crown Burners
	Flame-out sensing	Flat Griddle
	Top Mount Injectors	Pressure Regulator
	L.P. Conversion Kit	Heavy Duty Cast Iron Grates
Griddle Flame Ignition with glow wire	•	
Knob with minute minder	•	
COOKING ZONES	6 + Griddle	
Front Left		
Power (Max/ Min) - NG	20000 (BTU/h) - 5850W / 750 (BTU/h) - 220W	
Power (Max/ Min) - LP	15000 (BTU/h) - 4400W / 950 (BTU/h) - 275W	
Rear Left		
Power (Max/ Min) - NG	18000 (BTU/h) - 5300W / 950 (BTU/h) - 275W	
Power (Max/ Min) - LP	15000 (BTU/h) - 4400W / 950 (BTU/h) - 275W	
Central Middle "Left" GRIDDLE		
Power (Max/ Min) - NG	11500 (BTU/h) - 3370W / 2000 (BTU/h) - 590W	
Power (Max/ Min) - LP	11500 (BTU/h) - 3370W / 2000 (BTU/h) - 590W	
Front Middle		
Power (Max/ Min) - NG	18000 (BTU/h) - 5300W / 950 (BTU/h) - 275W	
Power (Max/ Min) - LP	15000 (BTU/h) - 4400W / 950 (BTU/h) - 275W	
Rear Middle		
Power (Max/ Min) - NG	18000 (BTU/h) - 5300W / 950 (BTU/h) - 275W	
Power (Max/ Min) - LP	15000 (BTU/h) - 4400W / 950 (BTU/h) - 275W	
Front Right		
Power (Max/ Min) - NG	20000 (BTU/h) - 5850W / 750 (BTU/h) - 220W	
Power (Max/ Min) - LP	15000 (BTU/h) - 4400W / 950 (BTU/h) - 275W	
Rear Right		
Power (Max/ Min) - NG	18000 (BTU/h) - 5300W / 950 (BTU/h) - 275W	
Power (Max/ Min) - LP	15000 (BTU/h) - 4400W / 950 (BTU/h) - 275W	
DIMENSION / WEIGHT		
Overall dim - width	47 3/4"	(1216mm)
Overall dim - height	7"	(179mm)
Overall dim - depth	29 3/4"	(756mm)
POWER / RATINGS (208/240 V, 60 HZ)		
kW / Amps rating at 120-240V, 60Hz	3,2 A	
Cable + Plug	Nema 5-15P	
INSTRUCTIONS FOR USE		
Use & Care Manual / Installation Manual	English / French / Spanish	