

FFHT1821T S/W/B

TOP MOUNT
REFRIGERATOR
18.0 CU. FT. TOP MOUNT



AVAILABLE COLORS



Stainless



White



Black

PRODUCT DIMENSIONS

| | |
|-------------------------------------|---------|
| Height (Including Hinges & Rollers) | 66-1/8" |
| Width | 30" |
| Depth (Including Door) | 30-1/8" |

MORE EASY-TO-USE FEATURES

Clear Dairy Bin

Keep foods like butter, cheese and yogurt organized.

CERTIFICATIONS

A.D.A. - Compliant¹

With accessible shelving, and controls that are positioned within arm's reach and allow one-hand operation, our top-freezer refrigerator is A.D.A. - Compliant.



ENERGY STAR®



¹When properly installed, this model is A.D.A.-qualified based on the United States Access Board's A.D.A./A.B.A. Accessibility Guidelines and the Department of Justice's 2010 A.D.A. Standards for Accessible Design.

SIGNATURE FEATURES

Store-More™ Humidity-Controlled Crisper Drawers

Keep your fruits and vegetables fresh in our humidity-controlled crisper drawers.

Store-More™ Gallon Door Shelf

Door storage gives you room for larger items like a gallon of milk.

Full-Width Wire Freezer Shelf

Gives you a way to organize items in your freezer better so you can find food quickly.

Reversible Door

Door can be installed to open left or right based on your needs.

FFHT1821T S/W/B TOP MOUNT REFRIGERATOR

18.0 CU. FT.

FRIGIDAIRE

FEATURES

| | |
|---------------------------|---|
| Door Design | UltraSoft™ |
| Door Handle Design | Stainless Steel (S), Color-Coordinated (W/B) |
| Cabinet Finish (Textured) | Black (S), Color-Coordinated (W/B) |
| Door Stops | Yes |
| Door Hinge Covers | Black (S), Color-Coordinated (W/B) |
| Door Reverse Option | Yes |
| Rollers - Front/Rear | Fixed/Yes |
| Sound Package | |
| Toe Grille | Black (S), Color-Coordinated (W/B) |

REFRIGERATOR FEATURES

| | |
|-----------------------------|--------------------|
| Interior Lighting | Standard |
| Refrigerator Shelves | 2 Full-Width Glass |
| Deli Drawer | 1 Half-Width |
| Wine/Can Rack | |
| Store-More™ Crisper Drawers | 2 Clear |
| Humidity Controls | 2 |
| Dairy Compartment | Clear Dairy Door |
| Door Bins | |
| Door Racks | 3 Full-Width White |
| Non-Slip Bin Liner | |
| Tall Bottle Retainers | |
| Gallon Door Storage | 1 |

FREEZER FEATURES

| | |
|------------------------------------|----------------------|
| Door Bins | |
| Door Racks | 2 Full-Width White |
| Freezer Shelves | 1 Full-Width Wire |
| Factory Ice Maker w/ Large Ice Bin | Optional (PN# IM116) |
| Lighting | |

CERTIFICATIONS

| | |
|-------------------------------|-----|
| A.D.A. Compliant ¹ | Yes |
| ENERGY STAR® | Yes |

SPECIFICATIONS

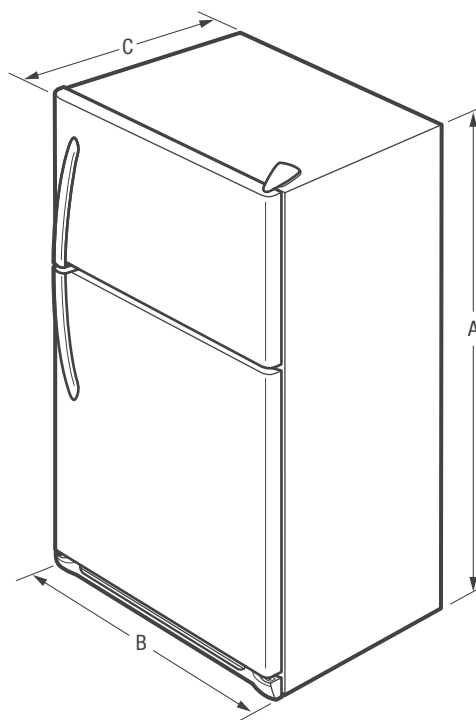
| | |
|---|-------------------|
| Total Capacity (Cu. Ft.) | 18.0 |
| Refrigerator Capacity (Cu. Ft.) | 14.1 |
| Freezer Capacity (Cu. Ft.) | 3.9 |
| Power Supply Connection Location | Right Bottom Rear |
| Water Inlet Connection Location | Bottom Right |
| Voltage Rating | 120V/60Hz |
| Connected Load (kW Rating) @ 120 Volts ² | 0.72 |
| Amps @ 120 Volts | 6.0 |
| Minimum Circuit Required (Amps) | 15 |
| Shipping Weight (Approx.) | 205 Lbs. |

¹When properly installed, this model is A.D.A.-qualified based on the United States Access Board's A.D.A./A.B.A. Accessibility Guidelines and the Department of Justice's 2010 A.D.A. Standards for Accessible Design.

²For use on adequately wired 120V, dedicated circuit having 2-wire service with a separate ground wire. Appliance must be grounded for safe operation.

PRODUCT DIMENSIONS

| | |
|---|---------|
| A - Height (Including Hinges & Rollers) | 66-1/8" |
| B - Width | 30" |
| C - Depth (Including Door) | 30-1/8" |
| Depth with Door Open 90° | 58-1/2" |



Note: For planning purposes only. Always consult local and national electric, gas and plumbing codes. Refer to Product Installation Guide for detailed installation instructions on the web at frigidaire.com / frigidaire.ca.
Specifications subject to change. Accessories information available on the web at frigidaire.com / frigidaire.ca

FRIGIDAIRE

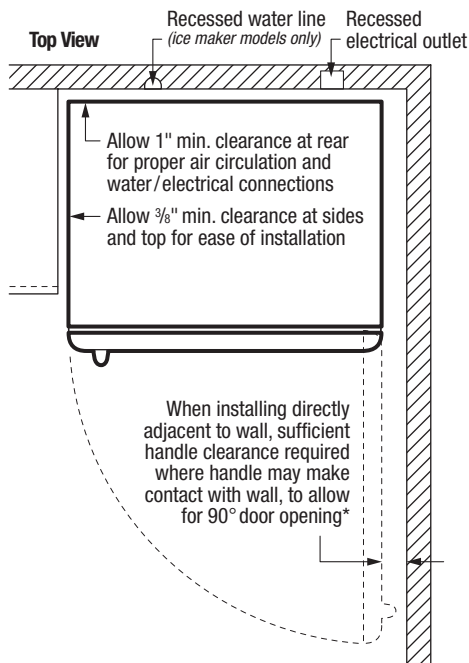
USA • 10200 David Taylor Drive • Charlotte, NC 28262 • 1-800-FRIGIDAIRE • frigidaire.com
CANADA • 5855 Terry Fox Way • Mississauga, ON L5V 3E4 • 1-800-265-8352 • frigidaire.ca

FFHT1821T 10/17
© 2017 Electrolux Home Products, Inc.

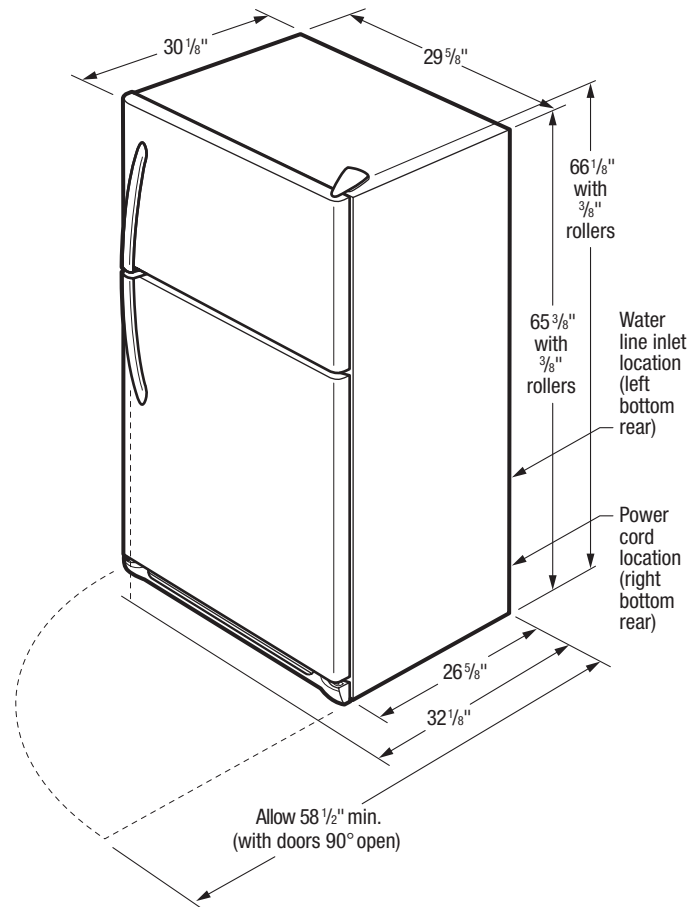
FFHT1821T S/W/B TOP MOUNT REFRIGERATOR

18.0 CU. FT.

FRIGIDAIRE



* When installing refrigerator adjacent to wall, cabinet or other appliance that extends beyond front edge of unit, 20" minimum clearance recommended to allow for optimum 140° door swing, providing complete crisper access and removal. (Absolute 3" minimum clearance will ONLY allow for 90° door swing which will provide limited crisper access with restricted removal.)



INSTALLATION SPECIFICATIONS

- Product Shipping Weight (approx.) - 205 Lbs.
- An electrical supply with grounded three-prong receptacle is required. The power supply circuit must be installed in accordance with current edition of National Electrical Code (NFPA 70) and local codes & ordinances.
- Voltage Rating - 120V / 60 Hz
- Connected Load (kW Rating) @ 120 Volts = 0.72 kW
- Amps @ 120 Volts = 6.0 Amps
- Always consult local and national electric & plumbing codes.
- Floor should be level surface of hard material, capable of supporting fully loaded refrigerator.
- Minimum 3/8" clearance required for sides and top of refrigerator with 1" clearance at rear to allow for ease of installation, proper air circulation, and plumbing/electrical connections.
- When installing refrigerator adjacent to wall, cabinet or other appliance that extends beyond front edge of unit, 20" minimum clearance recommended to allow for optimum 140° door swing, providing complete crisper access and removal. (Absolute 3" minimum clearance will ONLY allow for 90° door swing which will provide limited crisper access with restricted removal.)
- To ensure optimum performance, do not install in areas where temperature drops below 55°F or rises above 110°F and avoid installing in direct sunlight or close proximity to range, dishwasher or other heat source.
- For proper ventilation, front grille MUST remain unobstructed.
- Recess electrical outlet when possible.
- Optional Ice Maker Kit (PN# IM116) available for installation in ice maker-ready models only.
- Water recess on rear wall recommended to prevent water line damage.
- Water Pressure - Cold water line must provide between 30 and 100 pounds per square inch (psi).
- Copper tubing with 1/4" O.D. recommended for water supply line with length equal to distance from rear of unit to household water supply line plus 7 additional feet. Optional Water Supply Installation Kits available.

OPTIONAL ACCESSORIES

- Ice Maker Kit - (PN# IM116).



FRIGIDAIRE

USA • 10200 David Taylor Drive • Charlotte, NC 28262 • 1-800-FRIGIDAIRE • frigidaire.com
CANADA • 5855 Terry Fox Way • Mississauga, ON L5V 3E4 • 1-800-265-8352 • frigidaire.ca

Note: For planning purposes only. Always consult local and national electric, gas and plumbing codes. Refer to Product Installation Guide for detailed installation instructions on the web at frigidaire.com / frigidaire.ca. Specifications subject to change. Accessories information available on the web at frigidaire.com / frigidaire.ca

FFHT1821T 10/17
© 2017 Electrolux Home Products, Inc.