

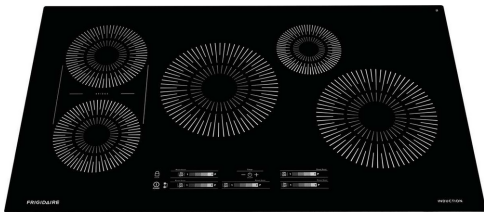
36" Induction Cooktop

Induction Cooktop

Available Products: FCCI3627AB

Available Colors: Black

Version: 08/22



Product Specifications

Cooktop

Bridge Element	Yes
Cooking Surface Type	Smooth
Auto Pan Detect	Yes

Display

Display Interface Color	Red
Control Location	Front

Electrical Specifications

Amps @ 240 Volts	40 Amps
Minimum Circuit Required	40 Amps

Certifications and Approvals

ADA Compliant	Yes
---------------	-----

Cooktop Performance

Right Front Element Burner Size	8"
Right Rear Element Burner Size	6"
Left Front Element Burner Size	7"
Left Rear Element Burner Size	7"
Center Element Burner Size	8"
Right Front Element Burner	2,300 / 3,600 Watts (Boost)
Right Rear Element Burner	1,450 / 2,500 Watts (Boost)
Left Front Element Burner	1,800 / 2,600 Watts (Boost)
Left Rear Element Burner	1,800 / 2,600 Watts (Boost)
Center Element Burner	2,300 / 3,600 Watts (Boost)

Dimensions and Volume

Height	2 7/8"
Width	36 3/4"
Depth	21 3/8"
Cutout Height	3 5/8"
Maximum Cutout Width	36 1/8"
Minimum Cutout Width	33 7/8"
Maximum Cutout Depth	20 1/2"
Minimum Cutout Depth	19 1/8"

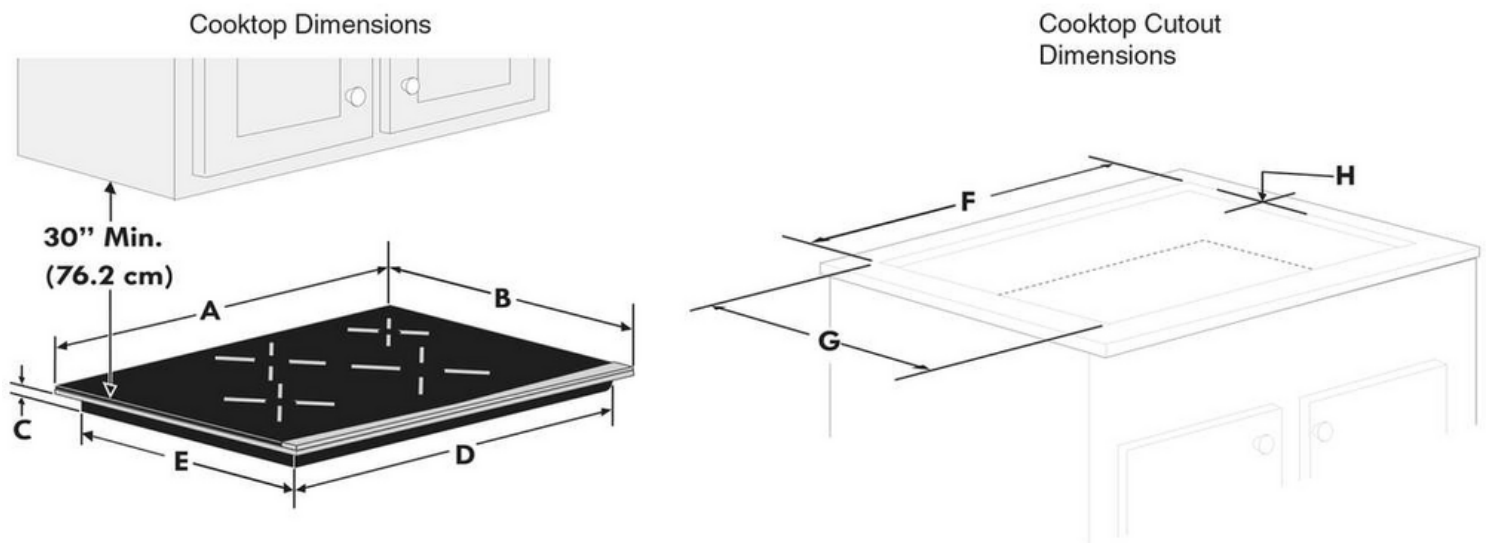
General Specifications

Warranty - Labor	1 Year
Warranty - Parts	1 Year

Safety Certifications and Approvals

UL Listed	Yes
cUL Listed	Yes
RoHS	Yes

Installation Diagram



COOKTOP DIMENSIONS					CUTOUT DIMENSIONS				
A. WIDTH	B. DEPTH	C. HEIGHT	D. WIDTH	E. DEPTH	F. WIDTH		G. DEPTH		H. HEIGHT
					Min.	Max.	Min.	Max.	
36 ³ / ₄ (93.4)	21 ³ / ₈ (54.4)	2 ⁷ / ₈ (7.3)	33 ⁵ / ₈ (85.4)	18 ⁷ / ₈ (47.9)	33 ⁷ / ₈ (86.0)	36 ¹ / ₈ (91.8)	19 ¹ / ₈ (48.6)	20 ¹ / ₂ (52.1)	3 ⁵ / ₈ (9.2)