



# Microwave

CPMO209RF

24" Built-In



### Product Dimensions

Height	13-3/8"
Width	24"
Depth	19-1/8"

### More Easy-To-Use Features

#### Adjustable Timer

Now you can adjust the cooking time of your dish while it's cooking. The adjustable timer allows you to add or remove 30 seconds on the timer.

#### Built-In Trim Kit Available

Optional trim kit available in a Smudge-Proof™ stainless steel trim in 27" or 30" diameter.

Available in:



Stainless  
(F)

## Signature Features



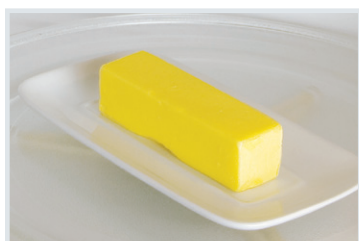
#### PowerSense™ Cooking Technology

Results you can trust. PowerSense™ Cooking Technology automatically senses ideal time and power levels.



#### Smudge-Proof™

Resists fingerprints and cleans easily.



#### Melt Setting

Offers a simple way to melt ingredients like butter and chocolate for consistent baking results.

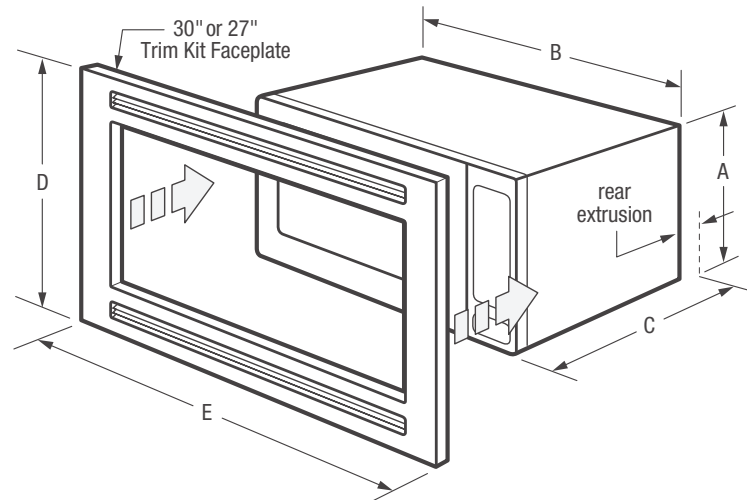


#### Auto Defrost

Great results, even when you're pressed for time. Automatically thaws food like steaks and bacon based upon their weight.

Features	
Control/ Timing System	Pro-Select*
Exterior Door Finish	Smudge-Proof™ Stainless Steel
Handle Design	Push Button
Microwave Capacity (Cu.Ft.)	2.0
Watts (IEC-705 Test Procedure)	1,200
Interior Light	Yes
Interior Colour	White
Turntable Diameter	16"
Control Lock	Yes
Clock	Yes
Touch Pad Buttons	22
Power Levels	10
Microwave Control Options	
Popcorn Button	Yes
Sensor Reheat Button	5
Melt & Soften Options	4
Auto Defrost Options	6
One-Touch Add-30-Seconds	Yes
Sensor Cooking Options	5
Vegetable Cook Sensor	4
User Preferences	6
Power Ratings	
Frequency (MHz)	2,450
Watts @ 120 Volts	1,700
Amps @ 120 Volts	14.3
Optional Accessories	
30" Stainless Steel Trim Kit	PN# MWTK30KF
27" Stainless Steel Trim Kit	PN# MWTK27KF
Specifications	
Oven Interior (HxWxD)	10-1/2" x 17-3/8" x 18-5/8"
Power Supply Connection Location	Right Top Rear
Voltage Rating	120V / 60Hz / 15A
Connected Load (kW Rating) @ 120 Volts <sup>1</sup>	1.7
Minimum Circuit Required (Amps)	14.3
Shipping Weight (Approx.)	46 Lbs.

<sup>1</sup>For use on adequately wired 120V, dedicated circuit having 2-wire service with a separate ground wire. Appliance must be grounded for safe operation.



**NOTE:** For planning purposes only. Always consult local and national electric codes. Refer to Product Installation Guide for detailed installation instructions on the web at [frigidaire.ca](http://frigidaire.ca).



Product Dimensions		Cutout Dimensions	
A - Height	13-3/8"	Height (Min.)	16-3/4"
B - Width	24"	Height (Max.)	17"
C - Depth	19-1/8"	Width (Min.)	24-3/4"
D - Height (Trim Kit Faceplate)	18-1/8"	Width (Max.)	25"
E - Width (27" Trim Kit Faceplate)	26-15/16"	Depth (Min.)	20"
E - Width (30" Trim Kit Faceplate)	29-15/16"		

Accessories information available on the web at [frigidaire.ca](http://frigidaire.ca)