



30" Front Control Induction Range with Total Convection

Induction Range

Available Products: PCFI308CAF

Available Colors: Stainless Steel

Version: 12/23

Product Specifications

Cooking Controls

| | |
|---------------------|-----|
| Air Fry | Yes |
| Bake | Yes |
| Broil | Yes |
| Child Lock | Yes |
| Clock | Yes |
| Convection Bake | Yes |
| Convection Roast | Yes |
| Cooktop Lockout | Yes |
| Delay Clean | Yes |
| Delay Start | Yes |
| Door Lock | Yes |
| Hot Surface | Yes |
| Kitchen Timer | Yes |
| Light | Yes |
| Lockout | Yes |
| No Preheat | Yes |
| Oven Light | Yes |
| Preheat | Yes |
| Probe | Yes |
| Self Clean | Yes |
| Set Clock | Yes |
| Slow Cook | Yes |
| Steam Bake | Yes |
| Steam Clean | Yes |
| Steam Roast | Yes |
| Temperature Display | Yes |
| Timer On / Off | Yes |
| User Preferences | Yes |

Cooking Controls Function

| | |
|-------------------------------|-----|
| Delayed Bake | Yes |
| Program Fahrenheit or Celsius | Yes |
| Silent Control Panel | Yes |

Cooktop

| | |
|-----------------------------|--------|
| Auto Pan Detect | Yes |
| Bridge Element Location | Left |
| Cooking Surface Type | Smooth |
| Element On Indicator Light | Yes |
| Hot-Surface Indicator Light | Yes |

Drawer

| | |
|-------------|---------|
| Drawer Type | Storage |
|-------------|---------|

Display

| | |
|-------------------------|------------------|
| Control Location | Front |
| Display Interface Color | White |
| Display Type | Capacitive Touch |

Dimensions and Volume

| | |
|--------------------------|-------------|
| Minimum Height | 35 3/8" |
| Maximum Height | 36 3/8" |
| Width | 30" |
| Depth | 26" |
| Depth With Door 90° Open | 47 5/16" |
| Depth With Handle | 28 1/2" |
| Oven Interior Height | 21 5/16" |
| Oven Interior Width | 25 3/16" |
| Oven Interior Depth | 19 7/8" |
| Oven Capacity | 6.2 Cu. Ft. |

Installation

| | |
|--------------------------|-----|
| Adjustable Leveling Legs | Yes |
|--------------------------|-----|

Certifications and Approvals

| | |
|----------------------|-----|
| ADA Compliant | Yes |
| Star-K Certification | Yes |

Oven

| | |
|---------------------------|------------------|
| Bake Element | 2500 Watts |
| Bake Element Pass | 8 |
| Bake Element Type | Hidden |
| Broil Element | 4000 Watts |
| Broil Element Pass | 6 |
| Cleaning System | Yes |
| Convection | Yes |
| Convection Element | 3800 Watts |
| Convection Type | Total |
| Number of Convection Fans | 1 |
| Number of Rack Positions | 7 |
| Oven Interior Color | Midnight Black |
| Oven Light Quantity | 2 |
| Oven Light Type | Halogen |
| Oven Light Watts | 40 Watts |
| Rack Position Type | Embossed |
| Rack Type 1 | Handle Bull Nose |
| Rack Type 1 Quantity | 1 |
| Rack Type 2 | Glide |
| Rack Type 2 Quantity | 1 |
| Rack Type 3 | Air Fry Tray |
| Rack Type 3 Quantity | 1 |

Cooktop Performance

| | |
|---------------------------------|--------------------------------|
| Right Front Element Burner Size | 8 3/10" |
| Right Rear Element Burner Size | 5 1/2" |
| Left Front Element Burner Size | 7" |
| Left Rear Element Burner Size | 7" |
| Center Rear Element Burner Size | 5 1/2" |
| Right Front Element Burner | 2,300 / 3,600 Watts (Boost) |
| Right Rear Element Burner | 1,400 / 2,500 Watts (Boost) |
| Left Front Element Burner | 1,800 / 2,800 Watts (Boost) |
| Left Rear Element Burner | 1,800 / 2,800 Watts (Boost) |
| Center Element Burner | 1,400 / 2,500 Watts (Boost) |

Controls

| | |
|--------------|-----|
| Control Lock | Yes |
| Sabbath Mode | Yes |

Exterior

| | |
|---------------|-----|
| Backlit Knobs | Yes |
|---------------|-----|

Electrical Specifications

| | |
|--------------------------|---------|
| Connected Load @ 240V | 15 kW |
| Minimum Circuit Required | 40 Amps |
| Voltage Rating | 240 V |

General Specifications

| | |
|------------------|--------|
| Prop 65 Label | Yes |
| Warranty - Labor | 1 Year |
| Warranty - Parts | 1 Year |

Safety Certifications and Approvals

| | |
|-----------|-----|
| UL Listed | Yes |
| RoHS | Yes |

Installation Diagram

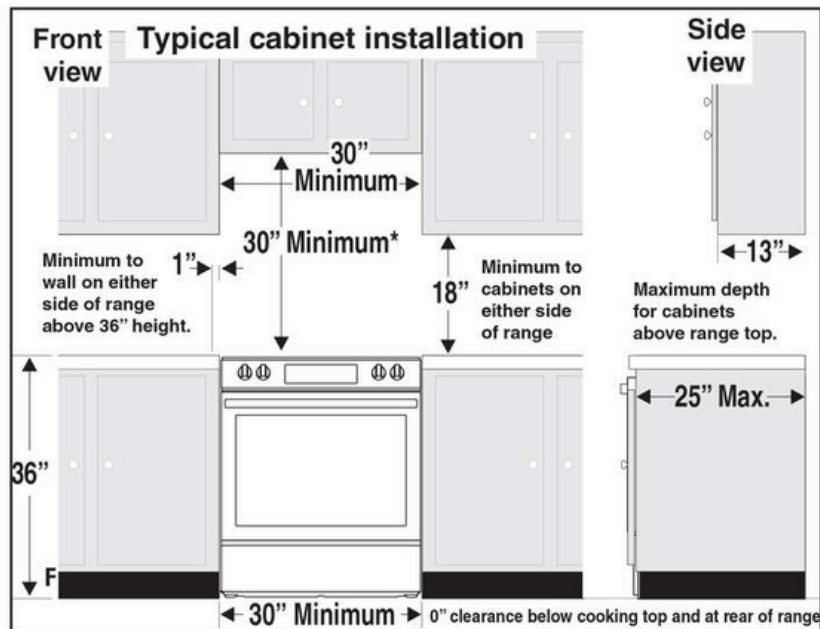


Fig. 1

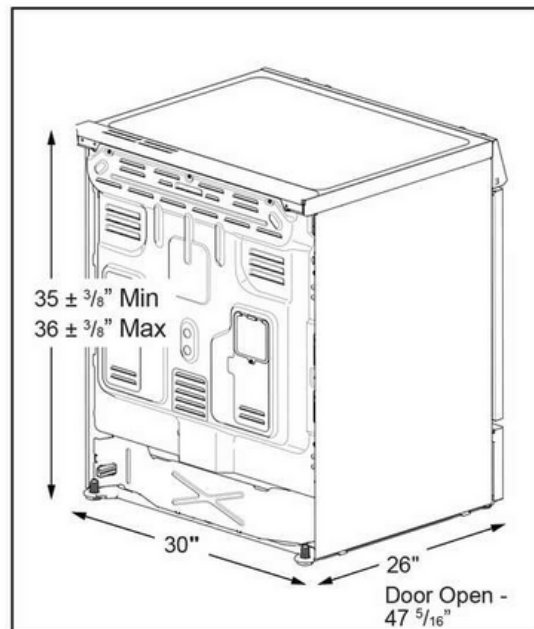


Fig. 2

*30" (762 mm) MINIMUM CLEARANCE BETWEEN THE TOP OF THE COOKING SURFACE AND THE BOTTOM OF AN UNPROTECTED WOOD OR METAL CABINET; OR 24" (610 mm) MINIMUM WHEN BOTTOM OF WOOD OR METAL CABINET IS PROTECTED BY NOT LESS THAN 1/4" (6 mm) FLAME RETARDANT MILLBOARD COVERED WITH NOT LESS THAN NO. 28 MSG SHEET STEEL, 0.015" (0.4 mm) STAINLESS STEEL, 0.024" (0.6 mm) ALUMINUM OR 0.020" (0.5 mm) COPPER. 0" (0 mm) CLEARANCE IS THE MINIMUM FOR THE REAR OF THE RANGE. FOLLOW ALL DIMENSION REQUIREMENTS PROVIDED ABOVE TO PREVENT PROPERTY DAMAGE, POTENTIAL FIRE HAZARD, AND INCORRECT COUNTERTOP AND CABINET CUTS.

TO ELIMINATE THE RISK OF BURNS OR FIRE BY REACHING OVER HEATED SURFACE UNITS, CABINET STORAGE SPACE LOCATED ABOVE THE SURFACE UNITS SHOULD BE AVOIDED. IF CABINET STORAGE IS TO BE PROVIDED, THE RISK CAN BE REDUCED BY INSTALLING A RANGE HOOD THAT PROJECTS HORIZONTALLY A MINIMUM OF 5" (127 mm) BEYOND THE BOTTOM OF THE CABINETS.

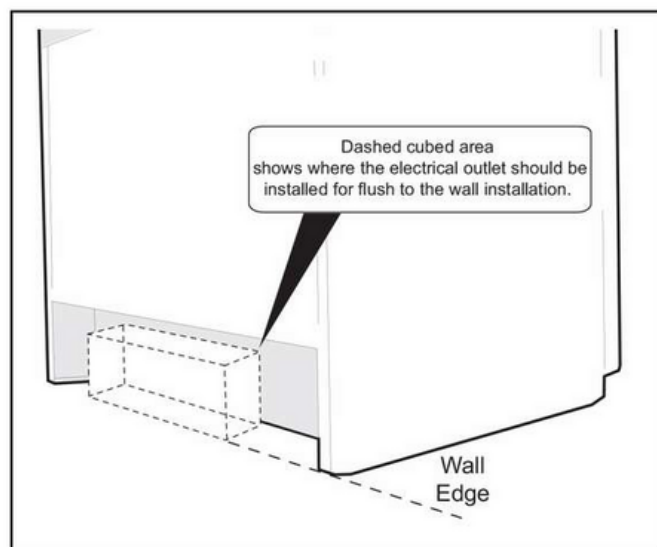


Fig. 3