

FRIGIDAIRE

PROFESSIONAL

PCFE307CAF

Available Colors : Stainless Steel

Version : 03/20

Electric Ranges

30" Front Control Freestanding Air Fry Range



Product Specifications

Cooktop

Center	100 Watts
Cooking Surface	Black Glass
Element On Indicator Light	Yes
Knob Color	Stainless Steel
Knob Type	Cast Metal SS
Left Front	7" - 1800 Watts
Left Rear	7" - 1800 Watts
Right Front	9/12" - 1800/3000 Watts
Right Rear	6" - 1200 Watts

Oven

Oven 1 Convection System	900W True Convection
Oven 1 Interior Color	Slate Blue
Oven 1 Interior Depth	19-1/8"
Oven 1 Interior Height	19-7/8"
Oven 1 Interior Width	24-3/8"
Oven 1 Rack Configuration	1 Glide 1 Handle 1 Offset
Oven 1 Rack Positions	6 Positions
Oven 1 Window	Extra Large
Oven Cleaning System	Self-Clean

Dimensions: Exterior

Depth	26-6/8"
Depth (with Door 90° Open)	47"
Depth Including Handle	29"
Height	36-5/8"
Width	28-7/8"

Certifications & Approvals

ADA Compliant	Yes
Agency Approval	UL
Sabbath Mode	Yes
UL Listed	1-UL Listed

Cooking Controls

Bake	Yes
Broil	Yes
Cancel	Yes
Convection Bake	Yes
Convection Broil	Yes
Convection Roast	Yes
Delay Clean	Yes
Display Type	Glass Touch
Keep Warm	Yes
Quick Preheat	Yes

General Specifications

Adjustable Leveling Legs	Yes
Light Type	2 Halogen
Made In USA	Yes
Power Cord Included	No
Prop 65 Label	Yes
Reconditioned	No

Controls

Control Location	Front Control
------------------	---------------

Exterior

Cooktop Finish	Black Porcelain
Drawer Finish	Smudge-Proof Stainless Steel

Drawer

Drawer Functionality	Storage
Handle	Stainless Steel

Capacities

Total Capacity	5.4
----------------	-----

Electrical Specifications

Minimum Circuit Required (Amps)	15A
Power Supply Connection Location	Left Rear Bottom
Voltage Rating	120V 60Hz

Accessories

Probe	Black Probe Including
-------	-----------------------

Note: For planning purposes only. Always consult local and national electric, gas and plumbing codes. Refer to Product Installation Guide for detailed installation instructions on the web at frigidaire.com / frigidaire.ca. Specifications subject to change. Accessories information available on the web at frigidaire.com / frigidaire.ca

FRIGIDAIRE

USA • 10200 David Taylor Drive • Charlotte, NC 28262 • 1-800-FRIGIDAIRE • frigidaire.com
CANADA • 5855 Terry Fox Way • Mississauga, ON L5V 3E4 • 1-800-265-8352 • frigidaire.ca

FRIGIDAIRE

PROFESSIONAL

PCFE307CAF

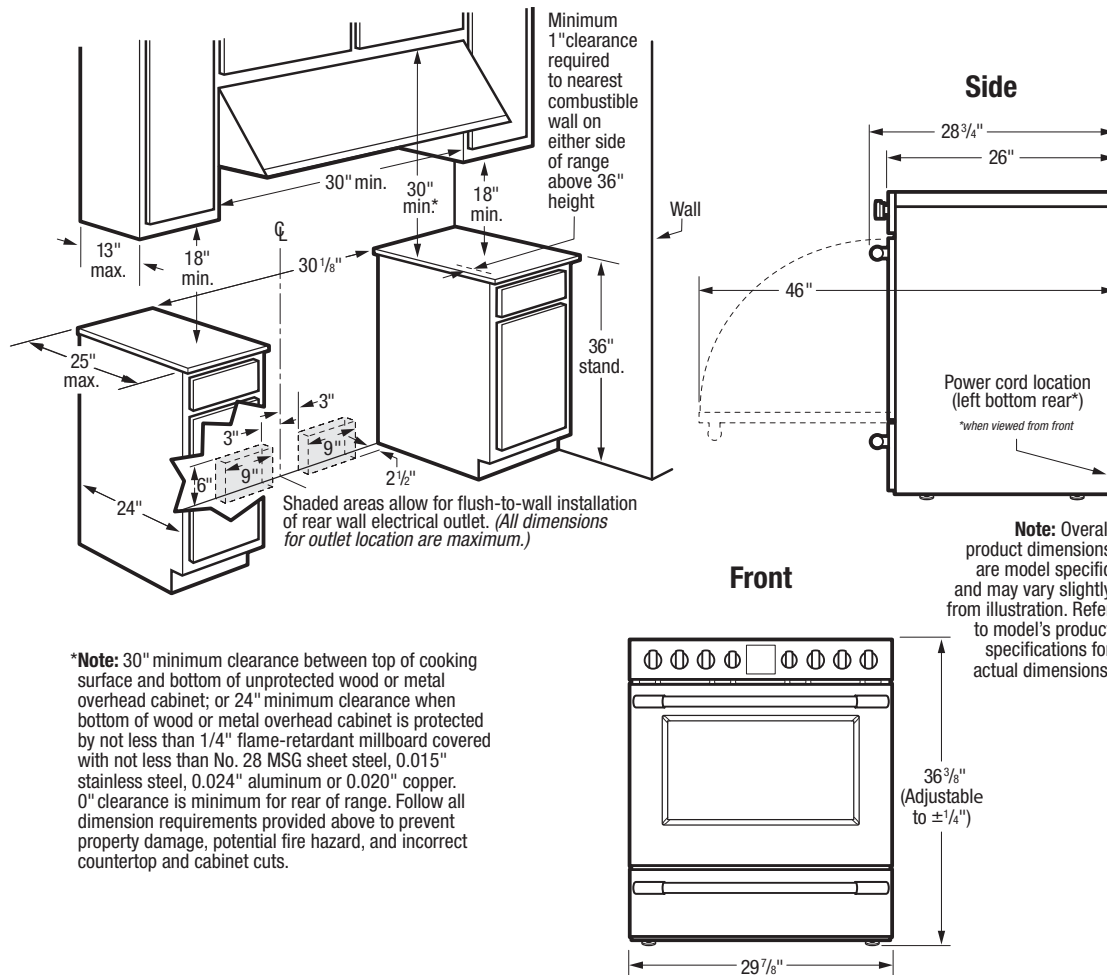
Available Colors : Stainless Steel

Version : 03/20

Electric Ranges

30" Front Control Freestanding Air Fry Range

Installation Drawing



*Note: 30" minimum clearance between top of cooking surface and bottom of unprotected wood or metal overhead cabinet; or 24" minimum clearance when bottom of wood or metal overhead cabinet is protected by not less than 1/4" flame-retardant millboard covered with not less than No. 28 MSG sheet steel, 0.015" stainless steel, 0.024" aluminum or 0.020" copper. 0" clearance is minimum for rear of range. Follow all dimension requirements provided above to prevent property damage, potential fire hazard, and incorrect countertop and cabinet cuts.

Note: For planning purposes only. Always consult local and national electric, gas and plumbing codes. Refer to Product Installation Guide for detailed installation instructions on the web at [frigidaire.com / frigidaire.ca](http://frigidaire.com/frigidaire.ca). Specifications subject to change. Accessories information available on the web at frigidaire.com / frigidaire.ca

FRIGIDAIRE

USA • 10200 David Taylor Drive • Charlotte, NC 28262 • 1-800-FRIGIDAIRE • frigidaire.com
CANADA • 5855 Terry Fox Way • Mississauga, ON L5V 3E4 • 1-800-265-8352 • frigidaire.ca