

# Frigidaire Professional



## Dual Fuel Range

36" Dual-Fuel Freestanding Range

PCFD3668AF

Available Colors : Stainless Steel

Version : 11/21

### Cooktop

Cooking Surface Type	Gas
Grate Material	Cast Iron
Grate Quantity	3
Grate Style	Continuous
Sealed Burners	Yes

### Cooktop Performance

Right Front Element Burner	18,000 / 750 BTU Dual
Right Rear Element Burner	12,000 / 750 BTU Dual
Left Front Element Burner	18,000 / 750 BTU Dual
Left Rear Element Burner	12,000 / 750 BTU Dual
Center Front Element Burner	12,000 / 750 BTU Dual
Center Rear Element Burner	12,000 / 750 BTU Dual

### Cooking Controls

Bake	Yes
Bread Proof	Yes
Broil	Yes
Child Lock	Yes
Convection Bake	Yes
Convection Roast	Yes
Cook Time	Yes
Delay Start	Yes
Keep Warm	Yes
Kitchen Timer	Yes
Probe	Yes
Steam Clean	Yes
Temperature Display	Yes

### Oven

Bake Element	3,300 Watts
Bake Element Type	Hidden
Broil Element	3,300 Watts
Convection Element	3,380 Watts
Convection Type	True Dual

Number of Convection Fans	2
Number of Rack Positions	5
Oven Interior Color	Gray
Oven Light Quantity	2
Oven Light Type	Halogen
Oven Light Watts	40 Watts
Rack Position Type	Ladder
Rack Type 1	Flat
Rack Type 1 Quantity	2
Rack Type 2	Glide
Rack Type 2 Quantity	1
Window Type	Extra Large Visual

### Controls

Sabbath Mode	Yes
--------------	-----

### Display

Control Location	Front
Display Type	LED

### Exterior

Backlit Knobs	Yes
---------------	-----

### Dimensions and Volume

Minimum Height	35.563"
Maximum Height	36.563"
Width	35.938"
Depth	25 7/8"
Depth With Door 90° Open	43 94/100"
Oven Interior Height	14 1/2"
Oven Interior Width	28 1/4"
Oven Interior Depth	16 1/2"
Oven Capacity	4.4 Cu. Ft.

### Electrical Specifications

Minimum Circuit Required	30 Amps
--------------------------	---------

Note: For planning purposes only. Always consult local and national electric, gas and plumbing codes.

Refer to Product Installation Guide for detailed installation instructions on the web at [frigidaire.com](http://frigidaire.com) / [frigidaire.ca](http://frigidaire.ca)

Specifications subject to change. Accessories information available on the web at [frigidaire.com](http://frigidaire.com) / [frigidaire.ca](http://frigidaire.ca)

USA • 10200 David Taylor Drive • Charlotte, NC 28262 • 1-800-FRIGIDAIRE • [frigidaire.com](http://frigidaire.com)

CANADA • 5855 Terry Fox Way • Mississauga, ON L5V 3E4 • 1-800-265-8352 • [frigidaire.ca](http://frigidaire.ca)

# Frigidaire Professional

36" Dual-Fuel Freestanding Range

PCFD3668AF

Version : 11/21

Voltage Rating	240 V
----------------	-------

## Installation

Adjustable Leveling Legs	Yes
LP Conversion Kit Included	Yes
Plinth	Yes
Power Cord Included	Yes
Included Power Cord Type	4-Prong Plug

## General Specifications

Prop 65 Label	Yes
Warranty - Labor	1 Year
Warranty - Parts	1 Year

## Safety Certifications and Approvals

CSA Listed	Yes
RoHS	Yes

Note: For planning purposes only. Always consult local and national electric, gas and plumbing codes.

Refer to Product Installation Guide for detailed installation instructions on the web at [frigidaire.com](http://frigidaire.com) / [frigidaire.ca](http://frigidaire.ca)

Specifications subject to change. Accessories information available on the web at [frigidaire.com](http://frigidaire.com) / [frigidaire.ca](http://frigidaire.ca)

USA • 10200 David Taylor Drive • Charlotte, NC 28262 • 1-800-FRIGIDAIRE • [frigidaire.com](http://frigidaire.com)

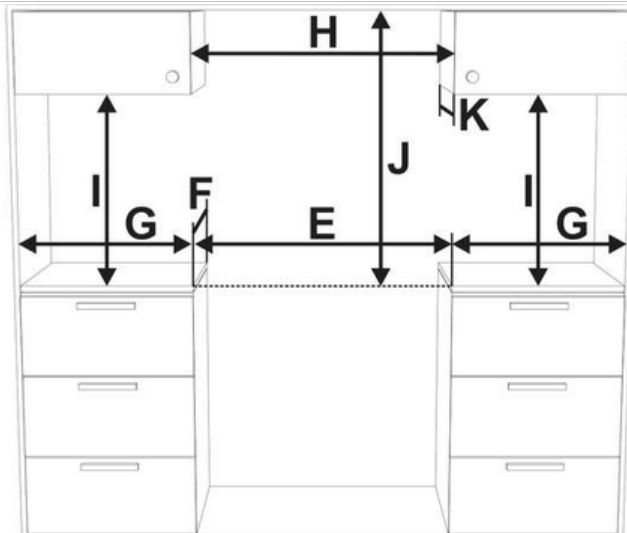
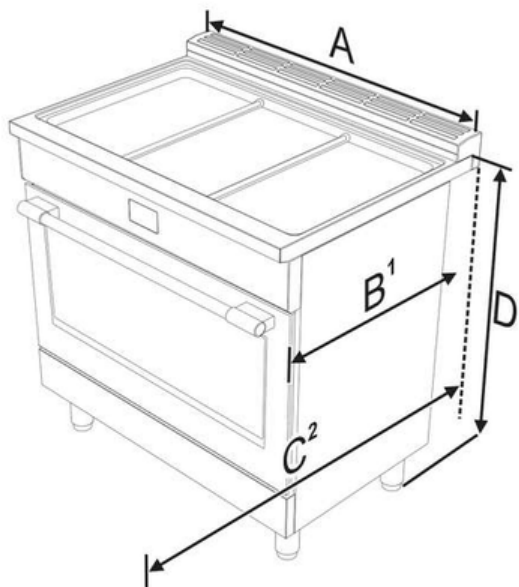
CANADA • 5855 Terry Fox Way • Mississauga, ON L5V 3E4 • 1-800-265-8352 • [frigidaire.ca](http://frigidaire.ca)

# Frigidaire Professional

36" Dual-Fuel Freestanding Range

PCFD3668AF

Version : 11/21



<b>A</b>	912.4 mm	35 15/16"
<b>B<sup>1</sup></b>	min: 654 mm max: 658 mm	min: 25 3/4" max: 25 7/8"
<b>C<sup>2</sup></b>	1116 mm	43 15/16"
<b>D</b>	min: 893.8 mm max: 944.6 mm	min: 35 3/16" max: 37 3/16"

<b>E</b>	min. 914 mm	min. 36"
<b>F</b>	628 mm	24" 5/8
<b>G</b>	min. 508 mm	min. 20"
<b>H</b>	min. 914 mm	min. 36"
<b>I</b>	min. 457 mm	min. 18"
<b>J</b>	see notes below	
<b>K</b>	max. 330 mm	max. 13"

1. Measurement **B** varies according to the model: the minimum is obtained without the rear spacers (see "Island installation") and the maximum is obtained for traditional installation (slot-in installation - with the rear spacers).
2. Measurement **C** refers to the open door.

Clearance **J** can have the following values:

- **J = 36" / 914 mm** minimum clearance between the top of the cooking surface and the bottom of an unprotected wood or metal cabinet.
- **J = 30" / 762 mm** minimum when the bottom of wood or metal cabinet is protected by not less than 1/4-inch-thick flame-retardant millboard covered with not less than No. 28 MSG sheet steel, 0.015-inch-thick stainless steel, 0.024-inch-thick aluminum, or 0.020-inch-thick copper. Clearances from non-combustible materials are not part of the ANSI Z21.1 scope and are not certified by CSA. Clearances of less than 30" should be approved by the local codes and/or by the local authority having jurisdiction.

Note: For planning purposes only. Always consult local and national electric, gas and plumbing codes.

Refer to Product Installation Guide for detailed installation instructions on the web at [frigidaire.com](http://frigidaire.com) / [frigidaire.ca](http://frigidaire.ca)

Specifications subject to change. Accessories information available on the web at [frigidaire.com](http://frigidaire.com) / [frigidaire.ca](http://frigidaire.ca)