

Frigidaire Gallery



French Door Refrigerator

27.8 Cu. Ft. French Door Refrigerator

GRFS2853AF, GRFS2853AD

Available Colors : Stainless Steel, Black Stainless Steel

Version : 11/21

Refrigerator

Adjustable Temperature Drawer	Yes
Air Filter	Yes
Crisper Color	Clear
Dairy Bin	No
Door Bin Color	Clear
Humidity Controls	Automatic
Interior Lighting	LED
Produce Keeper Ready	Yes
Produce Keeper Included	Yes
Shelf Material	Glass
Water Filter	Yes
Number of Adjustable Gallon Plus Door Bins	3
Number of Fixed Condiment Door Bins	3
Number of Fixed Gallon Door Bins	1
Number of Other Door Bins	2
Total Number of Door Bins	9
Number of Adjustable Shelves	2
Number of Fixed Shelves	1
Number of Crispers	2

Freezer

Auto Close Drawer	Yes
Automatic Defrost	Yes
Basket Divider	Yes
Baskets / Bins Color	White
Interior Lighting	LED
Shelf Material	Glass
Number of Baskets / Bins	1
Number of Pull Out Shelves	1
Total Number of Shelves	1

Ice Maker

Ice Maker	Yes
Ice Maker Location	Fresh Food Section
Ice Shape	Square

Second Ice Maker	Yes
------------------	-----

Controls

Air Filter Indicator	Yes
Control Location	Dispenser
Digital Display	Yes
Door Ajar Alarm	Yes
Control Lock	Yes
Ice Maker On/Off	Yes
Mute Sound Control	Yes
On/Off Display	Yes
Power Failure Alarm	Yes
Power On/Off	Yes
Sabbath Mode	Yes
Water Filter Indicator	Yes

Dispenser

Crushed Ice	Yes
Cube Ice	Yes
Dispenser	Yes
Dispenser Height	10 4/10"
Light Control	Yes
Water	Yes

Exterior

Counter-Depth	No
Door Finish	Smooth
Door Stops	Yes
Front Rollers	Yes
Rear Rollers	No

Dimensions and Volume

Height With Hinge	70"
Height Without Hinge	68 3/10"
Width	36"
Width of Cabinet	35 6/10"

Note: For planning purposes only. Always consult local and national electric, gas and plumbing codes.

Refer to Product Installation Guide for detailed installation instructions on the web at frigidaire.com / frigidaire.ca

Specifications subject to change. Accessories information available on the web at frigidaire.com / frigidaire.ca

USA • 10200 David Taylor Drive • Charlotte, NC 28262 • 1-800-FRIGIDAIRE • frigidaire.com

CANADA • 5855 Terry Fox Way • Mississauga, ON L5V 3E4 • 1-800-265-8352 • frigidaire.ca

Frigidaire Gallery

27.8 Cu. Ft. French Door Refrigerator

GRFS2853AF, GRFS2853AD

Version : 11/21

Depth of Cabinet	28 1/2"
Depth With Door	33 3/10"
Depth With Door 90° Open	47 4/10"
Depth With Door and Handle	35 7/10"
Freezer Capacity	9 Cu. Ft.
Fresh Food Capacity	18.8 Cu. Ft.
Total Capacity	27.8 Cu. Ft.

Electrical Specifications

Amps @ 120 Volts	3.3 Amps
Minimum Circuit Required	15 Amps

Connectivity

Annual Energy	725 kWh
Condenser Type	Dynamic
Cooling System	Single Evaporator
Leveling Legs	Yes
Prop 65 Label	Yes
Refrigerant Type	R-600A
Warranty - Labor	1 Year
Warranty - Parts	1 Year
Wi-Fi Enabled	No

Performance Certifications and Approvals

ENERGY STAR Certified	Yes
-----------------------	-----

Safety Certifications and Approvals

CSA Listed	Yes
------------	-----

Note: For planning purposes only. Always consult local and national electric, gas and plumbing codes.

Refer to Product Installation Guide for detailed installation instructions on the web at frigidaire.com / frigidaire.ca

Specifications subject to change. Accessories information available on the web at frigidaire.com / frigidaire.ca

USA • 10200 David Taylor Drive • Charlotte, NC 28262 • 1-800-FRIGIDAIRE • frigidaire.com

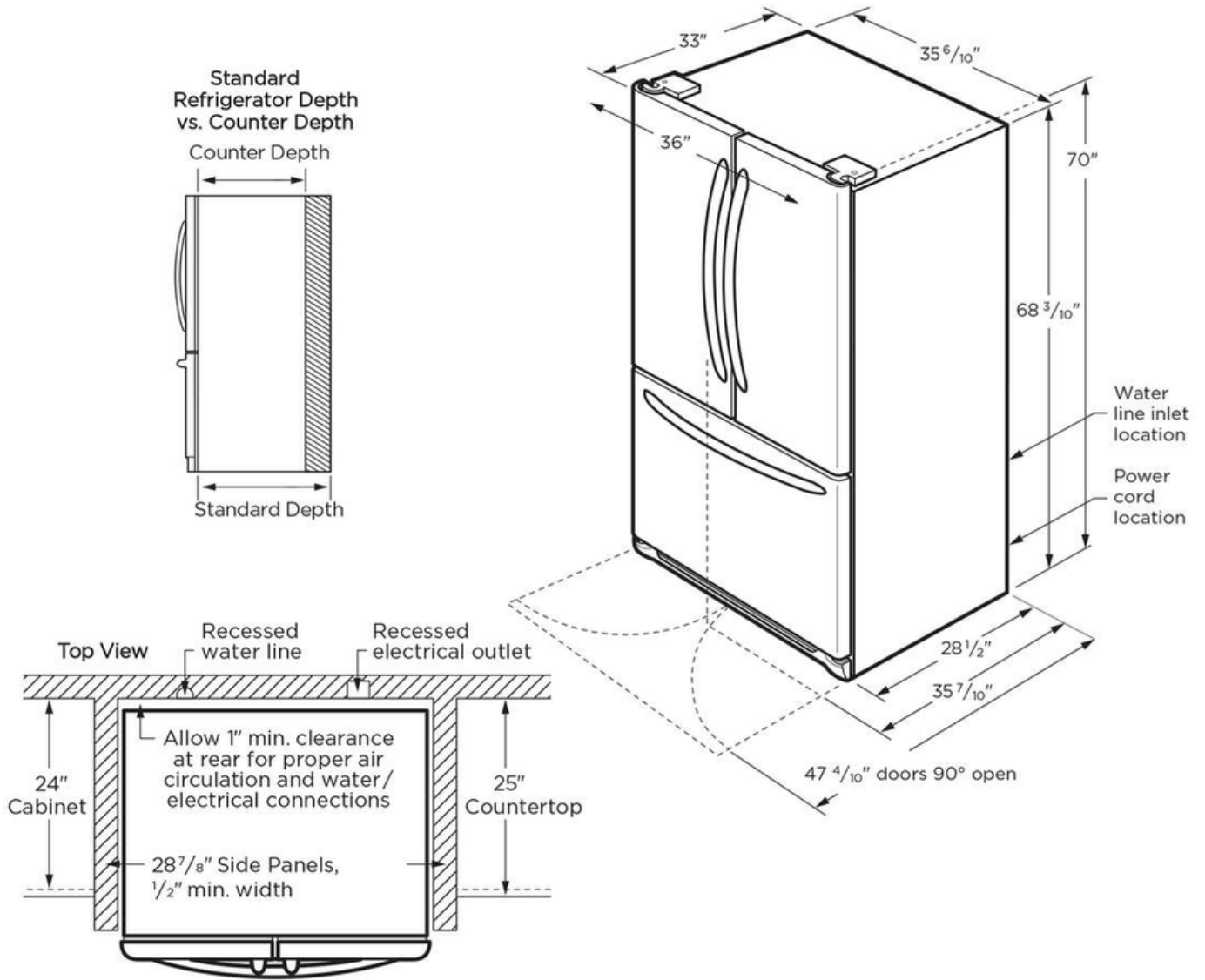
CANADA • 5855 Terry Fox Way • Mississauga, ON L5V 3E4 • 1-800-265-8352 • frigidaire.ca

Frigidaire Gallery

27.8 Cu. Ft. French Door Refrigerator

GRFS2853AF, GRFS2853AD

Version : 11/21



Note: For planning purposes only. Always consult local and national electric, gas and plumbing codes.

Refer to Product Installation Guide for detailed installation instructions on the web at frigidaire.com / frigidaire.ca

Specifications subject to change. Accessories information available on the web at frigidaire.com / frigidaire.ca

USA • 10200 David Taylor Drive • Charlotte, NC 28262 • 1-800-FRIGIDAIRE • frigidaire.com

CANADA • 5855 Terry Fox Way • Mississauga, ON L5V 3E4 • 1-800-265-8352 • frigidaire.ca