

# FRIGIDAIRE GALLERY

## FGGH3047V D/F

### FREESTANDING RANGE

30" GAS

**Smudge-Proof**  
STAINLESS STEEL

**Smudge-Proof**  
BLACK STAINLESS STEEL



#### AVAILABLE COLORS

**D**  
Black  
Stainless

**F**  
Stainless

#### SIGNATURE FEATURES

##### Make healthier and delicious meals with Air Fry.

Deliver all of the flavor and none of the guilt. Air Fry allows you to make healthier and delicious meals for the entire family – right in your oven.

##### Flexible Five Burner Cooktop.

Get the ultimate cooking flexibility. Cooktop features an 18,000-BTU power burner for faster boiling, a 5,000-BTU simmer burner for delicate foods and sauces and a 10,000-BTU oval burner, perfect for your griddle.

##### Faster, more even baking results with True Convection.

Get faster, more even multi-rack baking with a powerful convection fan and third heating element that evenly circulates hot air throughout the oven.

##### Quick Boil Burner

Get meals on the table faster with our powerful 18,000 BTU burner.

#### PRODUCT DIMENSIONS

Height (Max.) 36-5/8"

Width 29-7/8"

Depth (Incl. Handle) 29-3/16"

#### MORE EASY-TO-USE FEATURES

##### Fast Steam Cleaning Option

A 30-minute light oven cleaning that's chemical-free, odor-free, and fast.

##### Keep your cooktop looking beautiful.

Our gas burners are now easier to remove and clean.

##### Griddle Pan Included

Immediately begin making your family's favorite meals, like pancakes or quesadillas, on the center oval burner because the griddle pan comes included with the range.

##### Quick Preheat

Start baking in just a few minutes with Quick Preheat.

##### Upgrade your Kitchen with a Built-in Look

Get the look of a built-in range, without the remodel. This Front Control Range easily fits the space of your existing 30" range.

##### Rear Filler Kit Included

Our Rear Filler Kit will help fill any gap between the back of the range and your backsplash.

##### Frigidaire Fit Promise

We promise that your new 30" Frigidaire Gallery® front control range will fit your existing range cutout, or we will reimburse up to \$100 for professionally modifying the countertop.

##### Smudge-Proof® Stainless Steel

Resists fingerprints and cleans easily.

#### BURNERS

#### BTU

Right Front	18,000
Right Rear	5,000
Left Front	14,000
Left Rear	9,500
Center Oval	10,000

# FGGH3047V D/F FREESTANDING RANGE

30" GAS

FRIGIDAIRE  
GALLERY

## FEATURES

Oven Control/Timing System	Express-Select® Controls
Surface Type	Black Porcelain
Top Breather Burners	Yes
Grates	Edge 2 Edge Cast Iron Matte Finish
Window	Extra-Large
Exterior Door Finish	Smudge-Proof™ Stainless Steel (D/F)
Handle Design	Stainless Steel (D/F)
Exterior Finish (Side Panels)	Black
Convection System	True Convection
Oven Cleaning System	Self Clean
Drawer Functionality	Storage

## OVEN CONTROLS

Bake	Yes
Broil	Yes
Effortless™ Convection Conversion	Yes
Convection Bake / Broil	Yes
Convection Roast	Yes
Quick Preheat	Yes
Effortless™ Temperature Probe	Yes
Keep Warm	Yes
Delay Start	Yes
Self Clean	2, 3, 4 Hours
Steam Clean	Yes
Quick Clean Option	Yes
Delay Clean	Yes
Auto Oven Shut-Off	12 Hours
Oven Lockout	Yes

## COOKTOP FEATURES

Right Front Element (BTU)	18,000
Right Rear Element (BTU)	5,000
Left Front Element (BTU)	14,000
Left Rear Element (BTU)	9,500
Center Oval Burner (BTU)	10,000

## OVEN FEATURES

Capacity (Cu.Ft.)	5.6
Oven Light	1
Rack Configuration	3 Heavy-Duty Racks
Baking System	Even Baking Technology
Broiling System	Vari-Broil™ (Hi/Lo)
Bake Element / Broil Element (Watts)	18,000 / 13,500
Drawer Racks	

## SPECIFICATIONS

Oven Interior (H x W x D)	20-5/8" x 24-3/8" x 19-1/8"
Power Supply Connection Location	Left Bottom Rear
Gas Supply Connection Location	Right Bottom Rear
Voltage Rating	120V / 60 Hz / 5A
Amps @ 120 Volts	5
Shipping Weight (Approx.)	220 Lbs.

## OPTIONAL ACCESSORIES

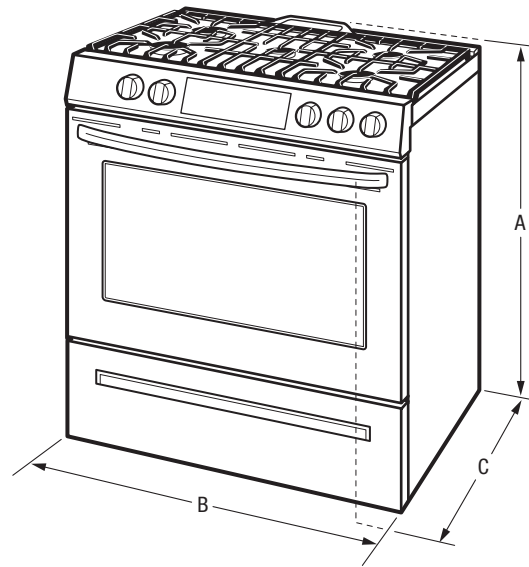
LP Gas Conversion Kit	PN# GRLP4
Griddle	Included

## PRODUCT DIMENSIONS

A - Height (Max.)	36-5/8"
B - Width	29-7/8"
C - Depth (Incl. Handle)	29-3/16"
Depth with Door Open 90°	47"

## CABINET CUTOUT DIMENSIONS

Height (Standard)	36"
Width (Min.)	30"



Note: For planning purposes only. Always consult local and national electric, gas and plumbing codes. Refer to Product Installation Guide for detailed installation instructions on the web at [frigidaire.ca](http://frigidaire.ca).

Specifications subject to change. Accessories information available on the web at [frigidaire.ca](http://frigidaire.ca)



FRIGIDAIRE

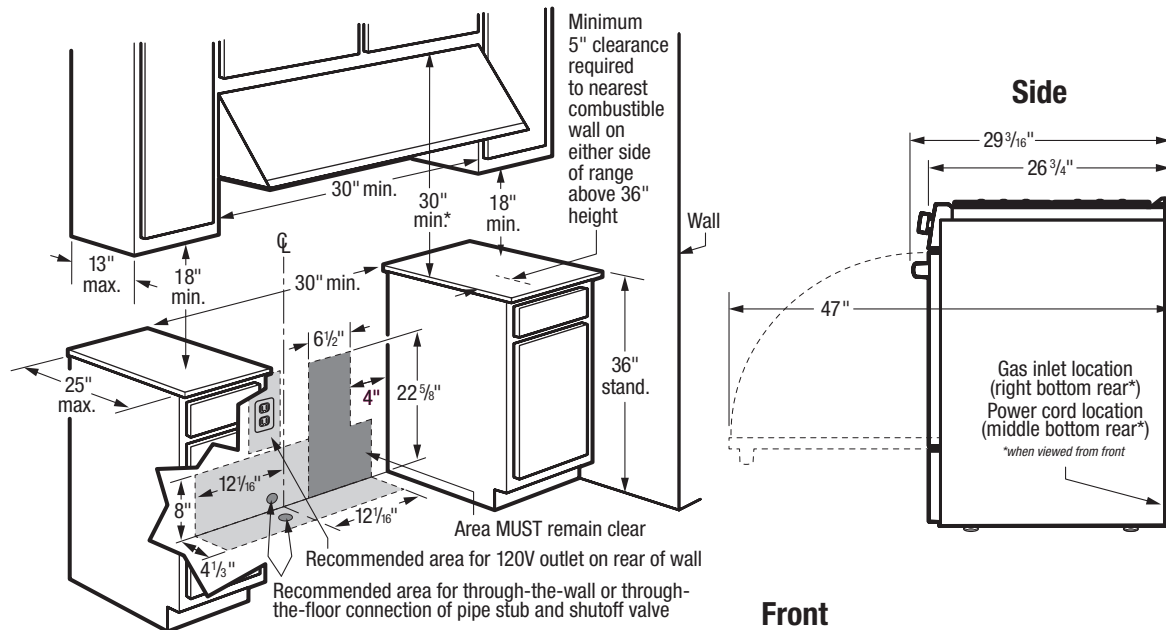
USA • 10200 David Taylor Drive • Charlotte, NC 28262 • 1-800-FRIGIDAIRE • [frigidaire.com](http://frigidaire.com)  
CANADA • 5855 Terry Fox Way • Mississauga, ON L5V 3E4 • 1-800-265-8352 • [frigidaire.ca](http://frigidaire.ca)

FGGH3047V 03/19  
©2019 Electrolux Home Products, Inc.

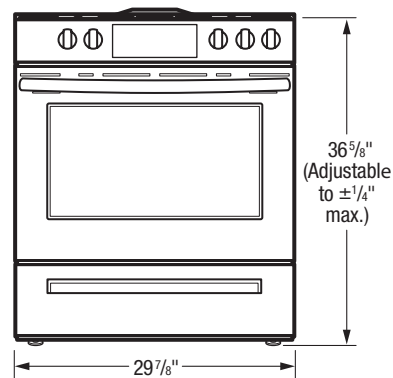
# FGGH3047V D/F FREESTANDING RANGE

30" GAS

FRIGIDAIRE  
GALLERY



**\*Note:** 30" minimum clearance between top of cooking surface and bottom of unprotected wood or metal overhead cabinet; or 24" minimum clearance when bottom of wood or metal overhead cabinet is protected by not less than 1/4" flame-retardant millboard covered with not less than No. 28 MSG sheet steel, 0.015" stainless steel, 0.024" aluminum or 0.020" copper. 0" clearance is minimum for rear of range. Follow all dimension requirements provided above to prevent property damage, potential fire hazard, and incorrect countertop and cabinet cuts.



## INSTALLATION SPECIFICATIONS

- Product Shipping Weight (approx.) - 220 Lbs.
- Voltage Rating - 120V/60 Hz/5 Amps
- Amps @ 120 Volts = 5 Amps
- Always consult local and national electric and gas codes.
- Make sure wall coverings around range can withstand heat generated by range.
- Linoleum or any other synthetic floor covering located beneath range, must be capable of withstanding minimum heat of 90°F above room temperature without shrinking, warping or discoloring. Insulating pad or 1/4"-thick plywood required between range and a carpeted floor.
- Do not obstruct flow of combustion air at oven vent nor around base or beneath lower front panel of range. Range requires fresh air for proper burner combustion.
- Do not install range beneath any downward-blowing, overhead vent hood or air curtain.
- Range ships with 3/4" factory regulator.
- Range is LP Gas convertible. (Optional LP Gas conversion kit available.)
- Floor beneath range MUST be solid and level.
- Overhead cabinetry should not exceed a 13" maximum depth.
- Absolute minimum horizontal distance between overhead cabinets installed to either side of appliance must be no less than maximum width of appliance.
- Range can be installed flush to wall with 0" minimum rear clearance.
- Minimum clearance required (from edge of rangetop to nearest combustible wall on either side of range above 36" height) is based on largest burner output rating on cooking surface.
- To reduce risk of fire when using overhead cabinetry, install range hood that projects horizontally a recommended minimum of 5" beyond bottom of cabinets.
- Follow all dimension requirements provided to prevent property damage, potential fire hazard, and incorrect countertop and cabinet cuts.

### OPTIONAL ACCESSORIES

- LP Gas Conversion Kit - (PN# GRLP4).
- Griddle - (Included).



FRIGIDAIRE

USA • 10200 David Taylor Drive • Charlotte, NC 28262 • 1-800-FRIGIDAIRE • frigidaire.com  
CANADA • 5855 Terry Fox Way • Mississauga, ON L5V 3E4 • 1-800-265-8352 • frigidaire.ca

*Note:* For planning purposes only. Always consult local and national electric, gas and plumbing codes. Refer to Product Installation Guide for detailed installation instructions on the web at frigidaire.ca. Specifications subject to change. Accessories information available on the web at frigidaire.ca

FGGH3047V 03/19  
©2019 Electrolux Home Products, Inc.