

# Single Wall Ovens

FGEW276SP F/B

27" Electric



## Product Dimensions

Height	29"
Width	27"
Depth	24-7/8"

## More Easy-To-Use Features

### One-Touch Self Clean

Your oven cleans itself — so you don't have to. Self clean options available in 2-, 3-, and 4-hour cycles.

### Power Broil

Added power means you can broil food faster.

### Delay Start

Set your oven to begin cooking on your schedule. It can be programmed from one to 24 hours.

### Express-Select® Controls

Easily set cooking temperature or choose one-touch cooking options.

## Reversible Door

Sabbath Mode (Star-K® Certified)

## Available in:



Stainless  
(F)

Black  
(B)

<sup>1</sup>Select models only.

## Signature Features



### True Convection

Single convection fan circulates hot air throughout the oven for faster and more even multi-rack baking.



### Vari-Broil™ Temperature Control

Select from six broil temperatures.



### Smudge-Proof™ Stainless Steel<sup>1</sup>

Resists fingerprints and cleans easily.

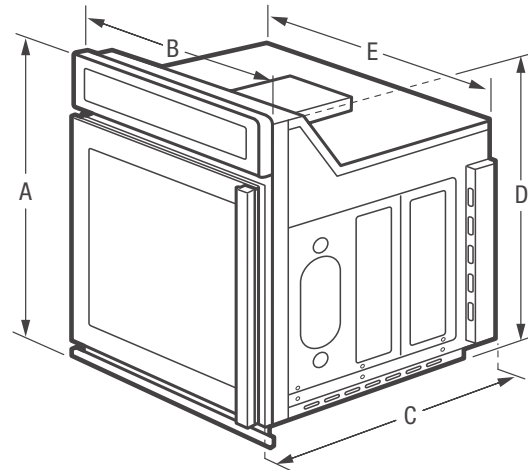


### One-Touch Keep Warm Setting

Just one touch of a button keeps food warm until everything — and everyone — is ready.

Features	
Oven Control/Timing System	Express-Select*
Window	Large
Exterior Door Finish	Smudge-Proof™ Stainless Steel (F), Colour-Coordinated (B)
Handle Design	Stainless Steel (F), Colour-Coordinated (B)
Reversible Door	Yes
Oven Cleaning System	Self-Clean w/ Steam Clean Option
Oven Controls	
Bake/Broil	Yes/ Variable (High-Low)
Effortless™ Convection Conversion	Yes
Convection Bake/Broil/Roast	Yes/ Yes/No
Quick Preheat	Yes
My Favourite	
Slow Cook	
Effortless™ Temperature Probe	Yes
Keep Warm	Yes
Add-a-Minute	
Delay Start	Yes
Self-Clean/Clean Options	Yes/ 2, 3, 4 Hours
Steam Clean	Yes
Delay Clean	Yes
Kitchen Timer	Yes
Timed Cook Option	Yes
Control Lock	Yes
Auto Oven Shut-Off	Yes
Oven Lock-Out	Yes
Oven Features	
Capacity (Cu. Ft.)	3.8
Convection System	True Convection
Oven Light	2 Halogen
Hidden Bake Element	Yes
Rack Configuration	2 Handle
Baking System	Radiant Baking Technology
Broiling System	Vari-Broil™
Bake/Broil Element (Watts)	1,450/3,400
Optional Accessories	
3"-High Bottom Trim - Stainless Steel (F)/Black (B)	(F) PN# 318903509 (B) PN# 318903507
10'-Long Armoured Power Cable	PN# 903056-9010
Certifications	
Sabbath Mode (Star-K® Certified)	Yes
Specifications	
Oven Interior (H x W x D)	17" x 20-1/2" x 18-3/4"
Power Supply Connection Location	Left Bottom Rear
Voltage Rating	240V / 208V / 60Hz
Connected Load (kW Rating) @ 240/208 Volts <sup>1</sup>	3.7/2.8
Amps @ 240/208 Volts	15.4/13.4
Minimum Circuit Required (Amps)	20
Approved for Under-Counter Installation	Yes
Shipping Weight (Approx.)	130 Lbs.

<sup>1</sup>Single phase 3- or 4-wire cable, 120/240 or 120/208 Volt, 60 Hertz AC only electrical supply with ground required on separate circuit fused on both sides of line.



**NOTE:** For planning purposes only. Always consult local and national electric codes. Refer to Product Installation Guide for detailed installation instructions on the web at [frigidaire.ca](http://frigidaire.ca).



Product Dimensions	
A - Height	29"
B - Width	27"
C - Depth	24-7/8"
D - Height (Wrapper)	27-1/4"
E - Width (Wrapper)	24-5/8"
Depth with Door Open 90°	50-3/4"

Cutout Dimensions	
Height (Min.)/(Max.)	27-1/4" / 28-1/4"
Width (Min.)/(Max.)	24-7/8" / 25-1/4"
Depth (Min.)	24"

Accessories information available on the web at [frigidaire.ca](http://frigidaire.ca)