



Slide-In Range

CGIS3065PF

30" Induction



Product Dimensions

Height (Max.)	36-5/8"
Width	30"
Depth	28-5/16"

More Easy-To-Use Features

Smudge-Proof™ Stainless Steel
Resists fingerprints and is easy to clean.

Effortless™ Convection
Takes the guesswork out of convection cooking — our oven automatically adjusts standard baking temperatures to convection temperatures for consistent results.

One-Touch Options
Our ovens feature easy-to-use one touch buttons so you can keep foods warm — with the touch of a button.

One-Touch Keep Warm Setting
Just one touch of a button keeps food warm until everything — and everyone — is ready.

Sabbath Mode (Star-K® Certified)

Available in:



Stainless
(F)

Elements	Size	Watts
Right Front	10"	2,500/3,800
Right Rear	6"	1,200/1400
Left Front	8"	2,300/3,200
Left Rear	7"	1,800/2000
Centre	Keep Warm Zone	100

Signature Features



Quick Preheat

Preheat in just a few minutes.¹



True Convection

A single fan and third heating element circulates heat evenly for more even, quicker multi-rack baking.



Quick Clean

Cleans easily with a 20-minute steam clean for light soil and 2-hour self-cleaning cycle.



Induction Cooktop

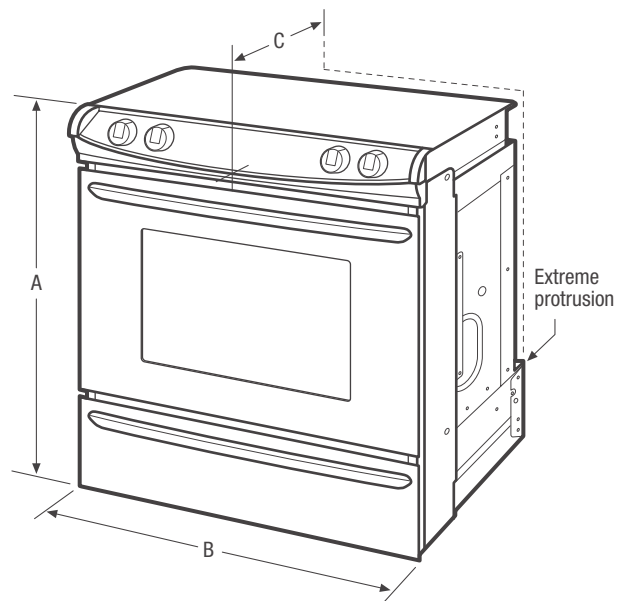
Get cooking faster with less than 2-minute boil time.² Clean up easily with cool cooktop surface. Induction heats the pan, not the cooktop, so spills won't burn on the surface. Adjust heat with greater accuracy than electric and gas cooktops especially at lower settings.

¹Based on single rack cooking performance, not set temperature, using Quick Preheat.

²10" induction burner with Power Boost, 6 qt./10" diameter pot, 1 qt. tepid water.

Features	
Oven Control/Timing System	Express-Select®
Surface Type	Black Ceramic Glass
Window	Extra-Large
Exterior Door Finish	Smudge-Proof™ Stainless Steel
Handle Design	Stainless Steel
Exterior Finish (Side Panels)	Black
Convection System	True Convection
Oven Cleaning System	Self-Clean
Drawer Functionality	Storage
Oven Controls	
Bake/Broil	Yes/Variable (400 - 550 °F)
Effortless™ Convection Conversion	Yes
Convection Bake/Broil/Roast	Yes/Yes/Yes
Quick Preheat	Yes
My Favourite	
Slow Cook	
Effortless™ Temperature Probe	Yes
Chicken Nugget Button	
Pizza Button	
Keep Warm	Yes
Add-a-Minute	
Delay Start	Yes
Self Clean/Clean Options	Yes/2, 3, 4 Hours
Steam Clean	Yes
Delay Clean	2, 3, 4 Hours
Kitchen Timer/Timed Cook Option	Yes/Yes
Auto Oven Shut-Off	6 Hours
Lower Drawer Control	
Cooktop Features	
Right Front Element (Watts)	10" - 2,500/3,800
Right Rear Element (Watts)	6" - 1,200/1,400
Left Front Element (Watts)	8" - 2,300/3,200
Left Rear Element (Watts)	7" - 1,800/2,000
Centre Element (Watts)	Keep Warm Zone - 100
Hot Surface Indicator Lights	
Oven Features	
Capacity (Cu.Ft.)	4.6
Oven Light	2
Hidden Bake Element	Yes
Rack Configuration	1 Heavy Duty, 1 Offset, 1 Effortless™
Baking System	Even Baking Technology
Broiling System	Vari-Broil™
Bake Element/Broil Element/ Convection Element (Watts)	2,500/3,400/2,500
Drawer Rack	
Certifications	
Sabbath Mode (Star-K® Certified)	Yes
Specifications	
Oven Interior (H x W x D)	17-1/2" x 24-1/8" x 18-3/4"
Power Supply Connection Location	Left Bottom Rear
Voltage Rating	240V/208V/60Hz
Connected Load (kW Rating) @ 240/208 Volts ¹	14.5/10.9 kW
Amps @ 240/208 Volts	60.4/52.4
Minimum Circuit Required (Amps)	40A
Shipping Weight (Approx.)	240 Lbs.

¹Single phase 3- or 4-wire cable, 120/240 or 120/208 Volt, 60 Hertz AC only electrical supply with ground required on separate circuit fused on both sides of line.



NOTE: For planning purposes only. Always consult local and national electric codes. Refer to Product Installation Guide for detailed installation instructions on the web at frigidaire.ca.



Product Dimensions		Cutout Dimensions	
A - Height (Max./Max.)	35-3/4" / 36-5/8"	Height (Min./Max.)	35-7/8" / 36-5/8"
B - Width	30"	Width (Min./Max.)*	29-15/16" / 30-1/16"
Width of Cooktop Surface	31-1/2"	Depth (Min./Max.)**	21-3/4" / 22-1/8"
C - Depth	28-5/16"		
Depth with Door Open 90°	47-9/16"		

*Cutout and countertop cutout width should match.
**24" with optional backguard installed.

Accessories information available on the web at frigidaire.ca