

Wall Range Hood, 24", Pyramid Chimney

Series 7 | Contemporary

Stainless Steel

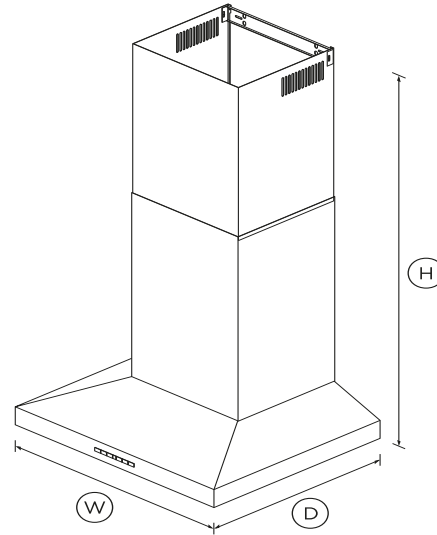


This wall chimney range hood has a contemporary styling, extracting steam, grease and cooking odors quietly and efficiently.

- With four fan speeds, select the perfect extraction rate for your cooking
- Edge-to-edge extraction for increased performance
- Powerful 600CFM maximum airflow

DIMENSIONS

Height	25 ¹³ / ₁₆ - 43 ¹ / ₁₆ "
Width	23 ⁹ / ₁₆ "
Depth	19 ¹¹ / ₁₆ "



FEATURES & BENEFITS

Quiet and effective

Odors can linger in the kitchen well after cooking is finished. This vent hood offers four fan speeds for powerful extraction to ensure steam and smells are quickly removed.

Easy installation

This wall chimney vent hood is the perfect partner to your Fisher & Paykel cooktop. It can be either externally ducted or internally recirculated, making it perfect for apartments.

Simple to clean

Two filters effectively trap grease particles during extraction. They are easy to remove and dishwasher safe, or can be cleaned by hand in hot soapy water.

Complementary Design

This wall chimney ventilation hood's sleek stainless steel finish will complement any contemporary kitchen and is designed to match the rest of Fisher & Paykel's kitchen appliance family.

SPECIFICATIONS

Accessories

- Ducting solution
- Recirculation carbon filter
- Recirculation diverter

Fan ratings

Maximum blower air flow	600cfm
Maximum sound rating	67dBA

Installation and cleaning

Air outlet size	6"
Dishwasher safe filters	2
Stainless steel filter cover	•
Two piece height adjustable	•

Power requirements

Supply voltage	120V
----------------	------

Product dimensions

Depth	19 ¹¹ / ₁₆ "
-------	------------------------------------

Height	25 ¹³ / ₁₆ - 43 ¹ / ₁₆ "
Width	23 ⁹ / ₁₆ "

Ventilation features

Light type	LED 2 x 5.5W
Timer function	•

Warranty

Parts and labor	2 years
-----------------	---------

SKU	50132
-----	-------

TEST The product dimensions and specifications in this page apply to the specific product and model. Under our policy of continuous improvement, these dimensions and specifications may change at any time. You should therefore check with Fisher & Paykel's Customer Care Centre to ensure this page correctly describes the model currently available. ? Fisher & Paykel Appliances Ltd 2020

Other product downloads available at fisherpaykel.com

- [↓](#) User Guide
- [↓](#) Service & Warranty Booklet
- [↓](#) Guide D'Utilisation
- [↓](#) Installation Guide
- [↓](#) Guide D'Installation
- [↓](#) Resources (zip)

**A PEACE OF MIND SALE****24 Hours 7 Days a Week Customer Support****T 1.888.936.7872 Wwww.fisherpaykel.com**