

Integrated Column Refrigerator, 30", Water

Series 9 | integrated

Panel Ready | Right Hinge

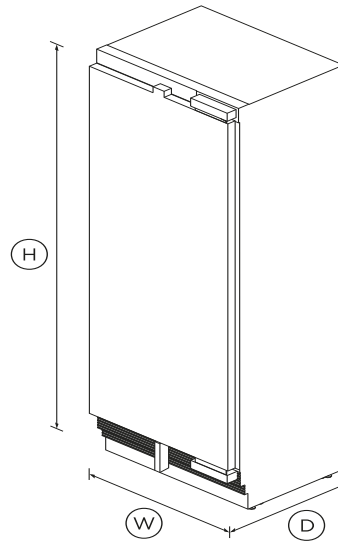


Install it separately or pair with another Column for seamless integration – this model is right hinge with white interior.

- ActiveSmart™ technology helps keep food fresher for longer by constantly maintaining the ideal temperature
- Two separate Variable Temperature Zones. Choose from Fridge, Pantry or Chill
- Internal water dispenser for convenient access to fresh, chilled water
- Customize with your own kitchen cabinetry or purchase our stainless steel door panel accessory

DIMENSIONS

Height	84 "
Width	29 ³ / ₄ "
Depth	24 "



FEATURES & BENEFITS

Variable temperature zones

Create the perfect climate by storing food at their optimal temperature. Change a compartment to Fridge, Pantry or Chill.

Internal water dispenser

This integrated model features a slimline water dispenser, located on the inside for an uninterrupted exterior. The flush-fit design of the water dispenser maximizes internal storage space, allowing the shelves to be adjusted to suit your needs. Enjoy a

continuous flow of temperature-controlled chilled water to fill almost any size or shape of vessel.

Mix & match

Integrated Column Refrigeration gives you the freedom to mix and match refrigerators and freezers based on your needs – or install separately. They can be customized with your kitchen cabinetry for a seamless look, or finished with one of our stainless steel door panels.

Clever energy

ActiveSmart™ makes your refrigerator more energy efficient – adapting to daily use and cooling and defrosting only when needed. This means it uses the energy it needs without compromising on food care.

Appealing illumination

Bright LEDs light up the ceiling, shelves, bins and trays in both refrigerator and freezer, creating a welcoming glow in your kitchen at night and using less power than comparable halogen lights.

Design quality

<>

Perfect fit

<>

SPECIFICATIONS

Accessories (sold separately)

18" Stainless steel toe kick	25388
24" Stainless steel toe kick	25390
30" Stainless steel toe kick	25392
42" Stainless steel toe kick	25394
48" Stainless steel toe kick	25396
54" Stainless steel toe kick	25398
60" Stainless steel toe kick	25400

66" Stainless Steel Toe Kick	26077
72" Stainless Steel Toe Kick	26078
78" Stainless Steel Toe Kick	26079
84" Stainless Steel Toe Kick	26080
Contemporary round handle	24981
Contemporary square handle	24979
Hinge change (from left hinge	848190
Hinge change (from right hinge	848189
Joiner kit	24985
Professional round flush handle	25921
Professional round handle kit	24982
Professional square handle kit	24980
Replacement water filter	847200
Square fine aluminium handle	25863
Square fine black handle kit	25908
Stainless steel door panel	24972 (right hinge); 24971

Capacity

Refrigerator	16.3 cu ft
--------------	-------------------

Consumption

Energy star rating	Yes
--------------------	------------

Performance

ActiveSmart™ Foodcare	•
Adaptive defrost	•
Dual evaporator	•
Frost free	•
Humidity control system	•
Inverter controlled compressor	•

Sabbath mode	•
Variable food modes	Pantry; Fridge; Chill
Variable temperature zones	2

Power Requirements

Rated current	10A
Supply frequency	60Hz
Supply voltage	115V

Product dimensions

Depth	24 "
Height	84 "
Width	29 ³/₄ "

Refrigerator features

Adjustable door shelves	4
Adjustable glass cantilevered	•
Covered door shelves	1
Door alarm	•
Gallon door shelves	1
Internal water dispenser	•
LED bin lighting	•
LED ceiling lighting	•
LED side lighting	•
SmartTouch interface at	•
Soft-close fruit and vegetable	4
Stackable bottle holders	4 x clip in; 4 x flexible
Wi-Fi capable	•

Warranty

Parts and labour	2 years
Sealed system parts only	5 years

SKU	26166
-----	-------

TEST The product dimensions and specifications in this page apply to the specific product and model. Under our policy of continuous improvement, these dimensions and specifications may change at any time. You should therefore check with Fisher & Paykel's Customer Care Centre to ensure this page correctly describes the model currently available. ? Fisher & Paykel Appliances Ltd 2020

Other product downloads available at fisherpaykel.com

- [↓](#) User Guide
- [↓](#) Guide D'Utilisation
- [↓](#) Service & Warranty Booklet
- [↓](#) Installation Guide
- [↓](#) Guide D'Installation
- [↓](#) Resources (zip)
- [↓](#) Resources (zip)



A PEACE OF MIND SALE

24 Hours 7 Days a Week Customer Support

T 1.888.936.7872 W www.fisherpaykel.com