

## INSTALLATION INSTRUCTIONS

### DishDrawer™ dishwasher

DD24S 7 & DD24ST 7 models



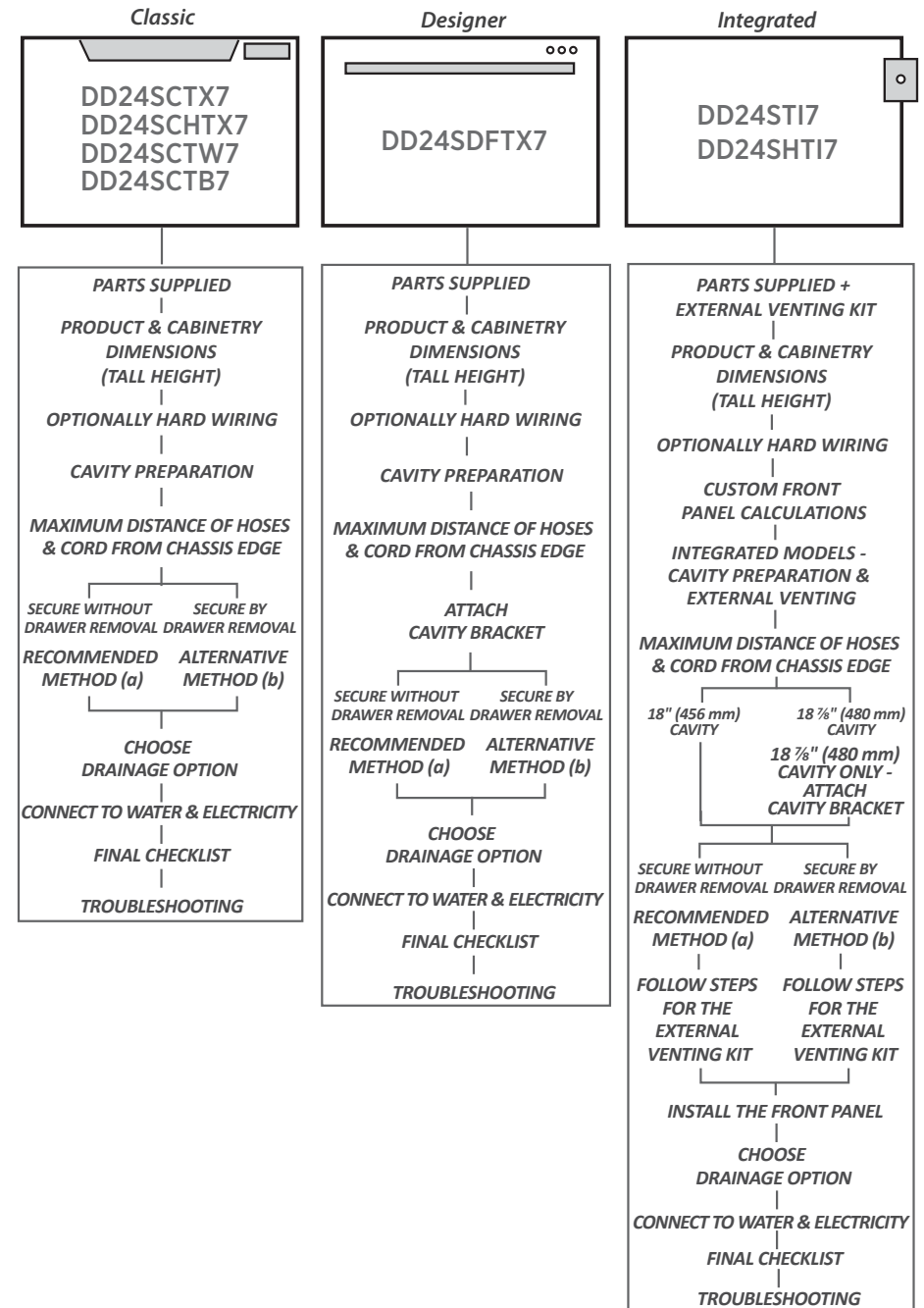
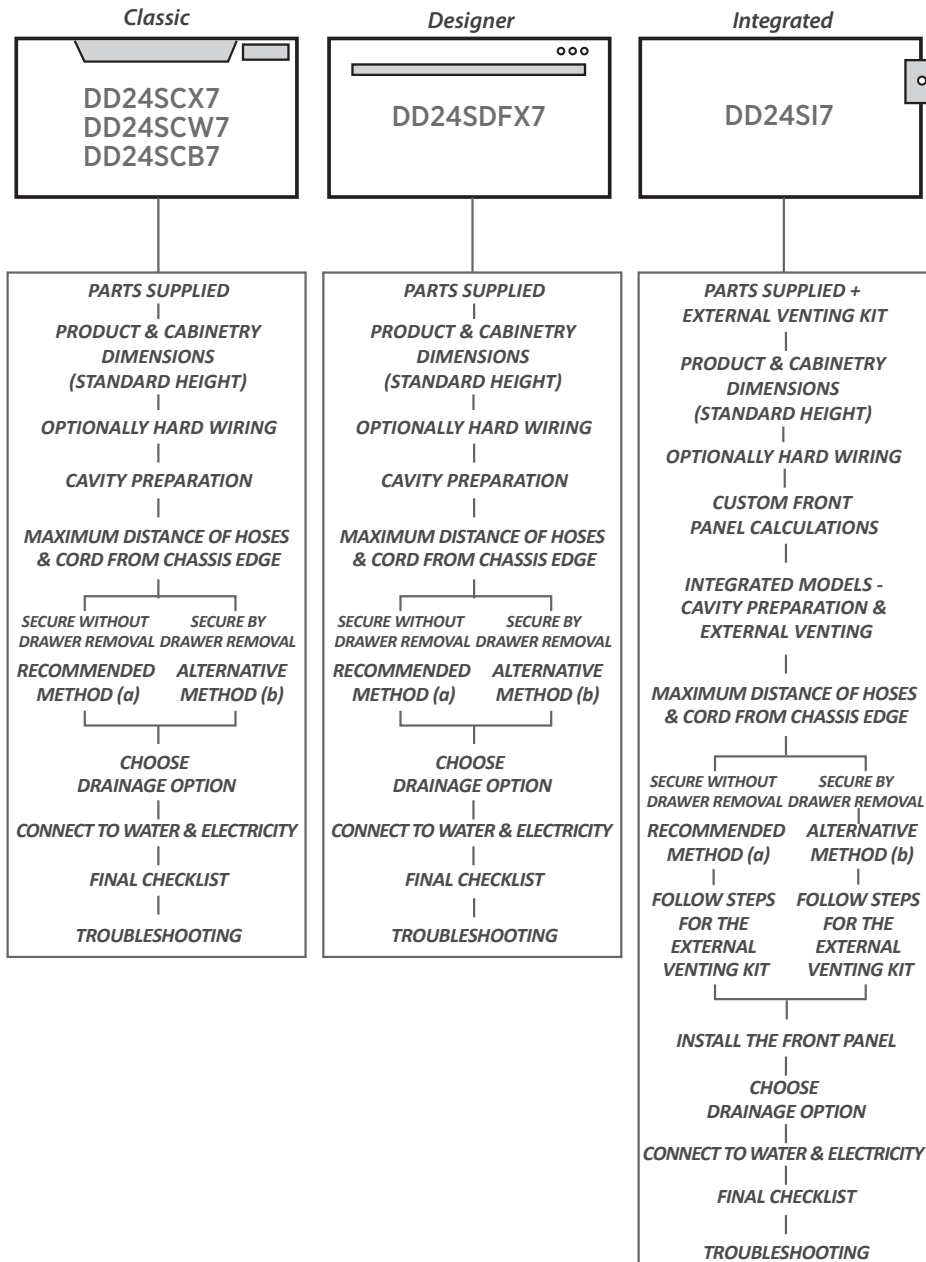
US CA

***Fisher & Paykel***

# 1 FOLLOW THE INSTALLATION SEQUENCE RELEVANT TO YOUR MODEL

## STANDARD HEIGHT SINGLE MODELS

## TALL HEIGHT SINGLE MODELS



## 2a) SAFETY AND WARNINGS - ALL MODELS

### ⚠ WARNING!

#### Electrical hazard

Before installing the dishwasher, remove the house fuse or open the circuit breaker. If permanently connecting the dishwasher, be sure the power is isolated and the dishwasher unplugged.

#### GROUNDING INSTRUCTIONS

This appliance must be grounded. In the event of a malfunction or breakdown, grounding will reduce the risk of electric shock by providing a path of least resistance for electric current. This appliance is equipped with a cord having an equipment-grounding conductor and a grounding plug. The plug must be plugged into an appropriate outlet that is installed and grounded in accordance with all local codes and ordinances. **WARNING** - Improper connection of the equipment-grounding conductor can result in a risk of electric shock. Check with a qualified electrician or service representative if you are in doubt as to whether the appliance is properly grounded.

If the dishwasher is installed as a permanently connected appliance: **GROUNDING INSTRUCTIONS** - This appliance must be connected to a grounded metal, permanent wiring system, or an equipment-grounding conductor must be run with the circuit conductors and connected to the equipment-grounding terminal or lead on the appliance. Do not modify the power supply plug provided with the appliance - if it will not fit the outlet, have a proper outlet installed by a qualified electrician. Do not use an extension cord, adapter plug or multiple outlet box.

Failure to follow this advice may result in electrical shock or death.



### ⚠ WARNING!

#### Cut hazard

Take care - panel edges are sharp.

Failure to use caution could result in injury or cuts.



## 2b) ADDITIONAL SAFETY AND WARNINGS - INTEGRATED MODELS ONLY

### ⚠ WARNING!

#### Electrical Shock Hazard

**WARNING:** To reduce the risk of electrical shock, fire, or injury to persons, the installer must ensure that the dishwasher is completely enclosed at the time of installation.

Before fitting the front panel, make sure that the dishwasher is disconnected from the power supply. After installing the front panel, the installer must ensure that the following components are electrically grounded: the panel bracket and any custom metal component (e.g. handle) that extends past the rubber seal.

Failure to follow these warnings may result in electrical shock, injury or fire.



## IMPORTANT SAFETY INSTRUCTIONS!

- Installation of this dishwasher requires basic mechanical and electrical skills.
- Be sure to leave these Instructions with the Customer.
- Installation must comply with your local building, electricity, and plumbing regulations.
- At the completion of the dishwasher installation, the Installer must perform the Final Checklist.
- Remove all packaging materials supplied with the dishwasher.
- This dishwasher is manufactured for indoor use only.
- Ensure all water connections are turned OFF. It is the responsibility of the plumber and electrician to ensure that each installation complies with all Codes and Regulations.
- The dishwasher **MUST** be installed to allow for future removal from the enclosure if service is required.
- The switched power outlet must be outside the dishwasher cavity, so that it is accessible after installation.
- Care should be taken when the appliance is installed or removed to reduce the likelihood of damage to the power supply cord and hoses.
- If the dishwasher is to be relocated from one installation to another it must be kept upright to avoid damage from water spillage.
- Make sure only new hoses are used for connection (supplied with the dishwasher). Old hoses should not be reused.
- Failure to install the dishwasher correctly could invalidate any warranty or liability claims.
- If the product is installed in a motor vehicle, boat or similar mobile facility, you must bring the vehicle, boat or mobile facility containing the product to the service shop at your expense or pay the service technician's travel to the location of the product.

SAVE THESE INSTRUCTIONS

## IMPORTANT SAFETY INSTRUCTIONS!

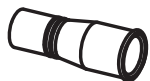
- Read these instructions completely and carefully.
- Ensure the product is not plugged in.
- Installation of custom panels requires basic mechanical and electrical skills.
- Installation must comply with your local building and electricity regulations.
- Failure to install the custom panels correctly could invalidate any warranty or liability claims.

SAVE THESE INSTRUCTIONS

### 3a) PARTS SUPPLIED - ALL MODELS



Drain hose support (1)



Drain hose joiner (1)



Wire clip (1)  
(for securing  
Drain hose joiner)



Side mounting  
bracket kit  
(A and B) (2)  
**OPTIONAL**



Clamp (1)  
(for securing  
Drain hose joiner)



Phillips  
 $\frac{5}{8}$ " (16 mm)  
screws (7)



1½" (38 mm)  
bottom fixing  
screws & metal  
washers (2)



Rubber  
washer for  
inlet hose (1)  
(comes already  
fitted)



Moisture protection  
tape (1)  
(to prevent moisture  
damage)



Cavity bracket kit (1)  
**supplied with Tall height  
Designer and  
Integrated models only**

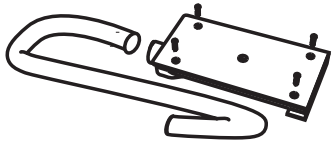


Edge Protector (1)  
*(If the services hole is through  
a metal partition the hole  
must be protected with the  
Edge protector supplied to  
prevent damage to the power  
cord or hoses.)*

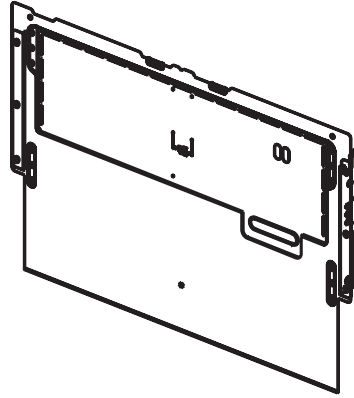
If the Drain hose supplied is not long enough to reach your services, you must use a Drain Hose Extension Kit P/N 525798 which will extend the drain hoses by 11' 10" (3.6m).

The kit is available from the nearest Fisher & Paykel Authorized Service Center, or Toll free 1.888.936.7872 or [www.fisherpaykel.com](http://www.fisherpaykel.com)

**3b) ADDITIONAL PARTS SUPPLIED WITH INTEGRATED MODELS**



External Venting kit (1)

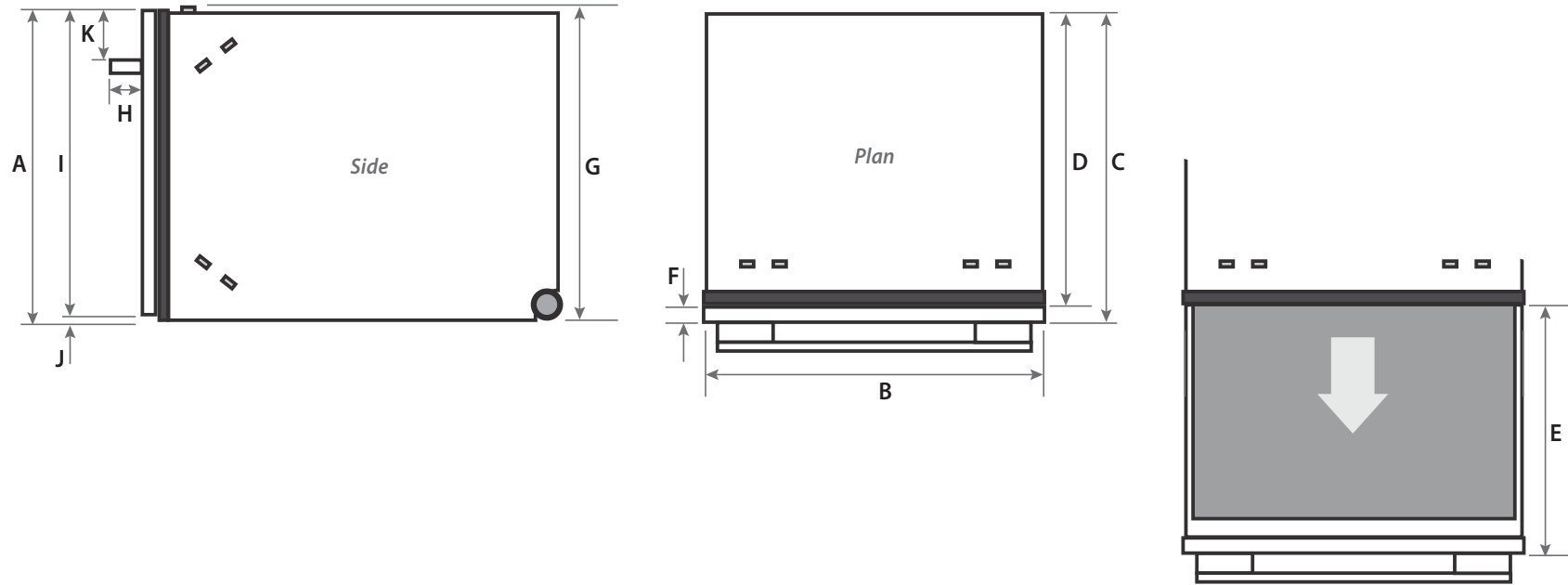


Panel bracket (1)  
*(attached to product)*



Panel mounting  
screws (6)

# ④ PRODUCT DIMENSIONS



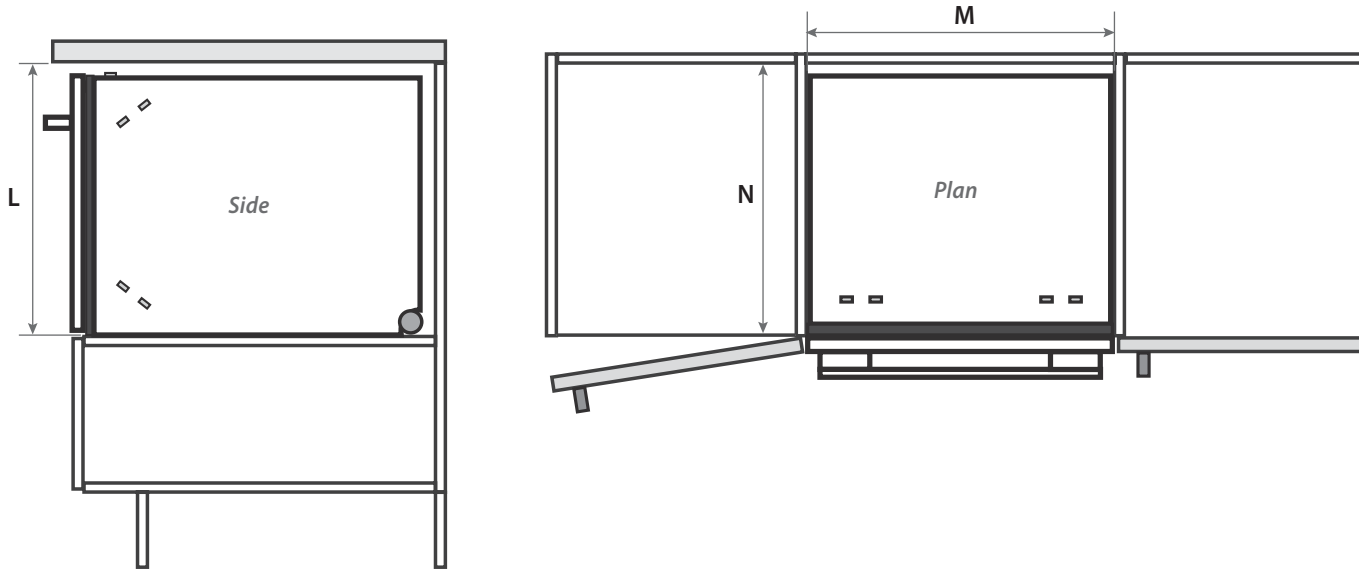
**Product dimensions inches (mm)**

	STANDARD HEIGHT MODELS			TALL HEIGHT MODELS			
	Classic	Designer	Integrated	Classic	Designer	Integrated (456 mm) 18" cavity	Integrated (480 mm) 18 7/8" cavity
A overall height <sup>1</sup> of product (incl. front panel height)	16 1/8"(410)	16 1/8"(410)	16 1/8"(410)	17 7/8"(454)	18 13/16"(478) <sup>2</sup>	17 7/8"(454)	18 13/16"(478) <sup>2</sup>
B overall width of product	23 9/16"(599)	23 9/16"(599)	23 9/16"(599)	23 9/16"(599)	23 9/16"(599)	23 9/16"(599)	23 9/16"(599)
C overall depth of product (excl. handle)	22 15/16"(582)	22 1/2"(571)	22 1/2"(571) <sup>3</sup>	22 15/16"(582)	22 1/2"(571)	22 1/2"(571) <sup>3</sup>	22 1/2"(571) <sup>3</sup>
D depth of chassis (to back of front panel)	21 3/4"(553)	21 3/4"(553)	21 3/4"(553)	21 3/4"(553)	21 3/4"(553)	21 3/4"(553)	21 3/4"(553)
E maximum extension of drawer (excl. handle)	21 7/8"(556)	21 7/16"(545)	21 7/16"(545) <sup>3</sup>	21 7/8"(556)	21 7/16"(545)	21 7/16"(545) <sup>3</sup>	21 7/16"(545) <sup>3</sup>
F depth of front panel (excl. handle)	1 1/8"(29)	1 1/16"(18)	5/8 - 13/16"(16-20)	1 1/8"(29)	1 1/16"(18)	5/8 - 13/16"(16-20)	5/8 - 13/16"(16-20)
G height <sup>1</sup> of chassis	16 1/8"(410)	16 1/8"(410)	16 1/8"(410)	17 7/8"(454)	17 7/8"(454)	17 7/8"(454)	17 7/8"(454)
H depth of handle	n/a	1 5/8"(41)	n/a	n/a	1 5/8"(41)	n/a	n/a
I height of front panel	15 1/2"(394)	15 11/16"(398)	16 1/16"(408) <sup>4</sup>	17 1/4"(438)	18 1/2"(470)	17 13/16"(452) <sup>5</sup>	18 3/4"(476) <sup>5</sup>
J height of ventilation gap below front panel	1/4"(7)	5/16"(8)	min. 1/16"(2)	1/4"(7)	5/16"(8)	min. 1/16"(2)	min. 1/16"(2)
K height from top of handle to top of front panel	n/a	2 1/2"(64)	n/a	n/a	2 1/2"(64)	n/a	n/a

<sup>1</sup>includes 1/16"(2 mm) high bracket slots    <sup>2</sup>Includes cavity bracket    <sup>3</sup>Assuming front panel thickness of 11/16"(18 mm)

<sup>4</sup>Recommended for a 1/16"(2 mm) ventilation gap below panel, if cavity height is 16 1/4"(412 mm)    <sup>5</sup>Recommended for a 1/16"(2 mm) ventilation gap below panel

# 5 CABINETS DIMENSIONS



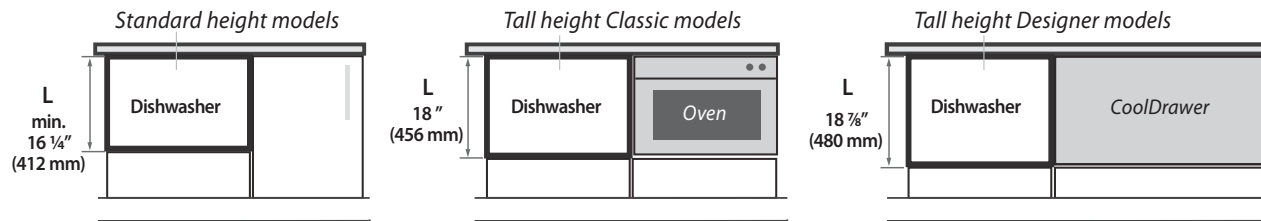
Cabinetry dimensions inches (mm)

STANDARD HEIGHT MODELS

TALL HEIGHT MODELS

	Classic	Designer	Integrated	Classic	Designer	Integrated 18" (456 mm) cavity	Integrated 18 7/8" (480 mm) cavity
L inside height of cavity	min. 16 1/4" (412)	min. 16 1/4" (412)	min. 16 1/4" (412)	18" (456)	18 7/8" (480)	18" (456)	18 7/8" (480)
M inside width of cavity	23 5/8" (600)	23 5/8" (600)	23 5/8" (600)	23 5/8" (600)	23 5/8" (600)	23 5/8" (600)	23 5/8" (600)
N inside depth of cavity	min. 22 1/16" (560)	min. 22 1/16" (560)	min. 22 1/16" (560)	min. 22 1/16" (560)	min. 22 1/16" (560)	min. 22 1/16" (560)	min. 22 1/16" (560)

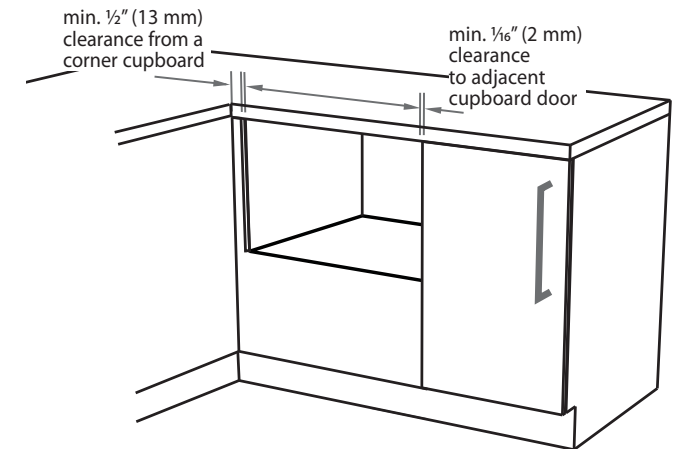
Cavity height options allow you to match dishwasher with your cabinetry or companion products



Tall height Integrated models

You may choose to install Tall height Integrated models into either a 18" (456 mm) or a 18 7/8" (480 mm) high cavity.  
 Note: the minimum height of the custom drawer front panel will also be different for these two options.

Minimum clearances from adjacent cabinetry



# 6 INTEGRATED MODELS ONLY - CUSTOM FRONT PANEL CALCULATIONS

## FRONT PANEL SPECIFICATIONS

- 5/8 - 13/16" (16-20 mm) panel thickness
- Maximum weight of panel: 20 lb (9 kg)
- Adequately sealed to withstand moisture (122°F/ 50°C @ 80% RH). Because of it being a hot and wet environment generally, the back and sides of the panel should be completely sealed with a waterproof vapour barrier (ie polyurethane) to prevent damage to the panel.
- The back of the panel (including any integrated handle) should be completely flush so that the seal between the panel and the rubber trim is maintained.

The following calculations assume the top of the panel is aligned with the top of the adjacent cabinetry:

### WIDTH OF THE PANEL

Measure **A** (the width between adjacent door/drawer fronts) and write it in the first box below, then complete the equation.

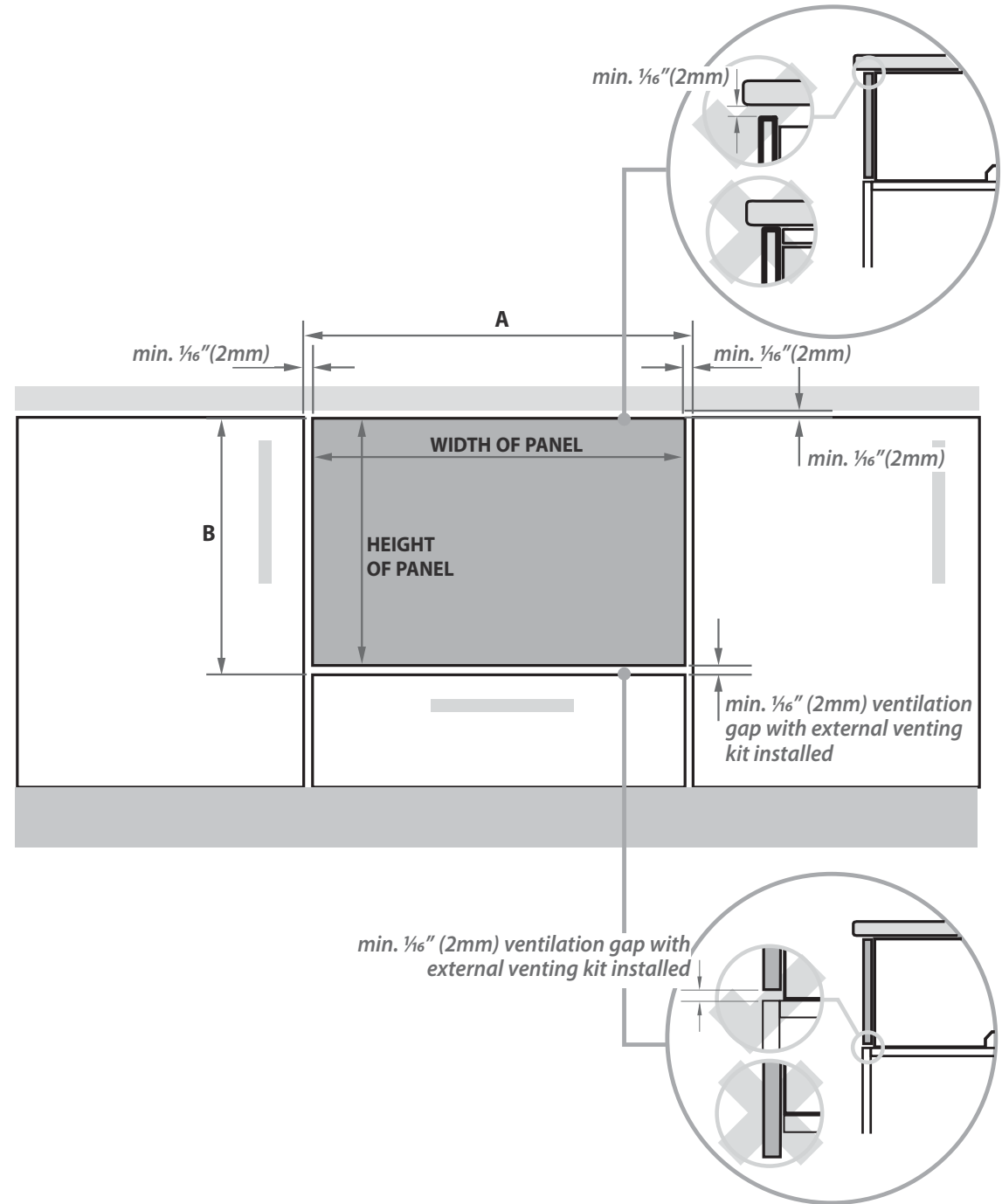
$$\begin{array}{c}
 \text{A} \\
 \boxed{\phantom{000}}
 \end{array}
 - 2 \times \begin{array}{c}
 \text{clearance to} \\
 \text{adjacent cabinet} \\
 \text{front} \\
 (\text{min. } \frac{1}{16}" (2 \text{ mm})) \\
 \boxed{\phantom{000}}
 \end{array}
 = \begin{array}{c}
 \text{WIDTH OF PANEL} \\
 (\text{min. } 23 \frac{3}{16}" (596 \text{ mm})) \\
 \boxed{\phantom{000}}
 \end{array}$$

### HEIGHT OF THE PANEL

Measure **B** and write it in the first box below, then complete the equation.

$$\begin{array}{c}
 \text{B} \\
 \boxed{\phantom{000}}
 \end{array}
 - \begin{array}{c}
 \text{ventilation gap} \\
 (\text{min. } \frac{1}{16}" (2 \text{ mm})) \\
 \boxed{\phantom{000}}
 \end{array}
 = \begin{array}{c}
 \text{HEIGHT OF PANEL} \\
 \boxed{\phantom{000}}
 \end{array}$$

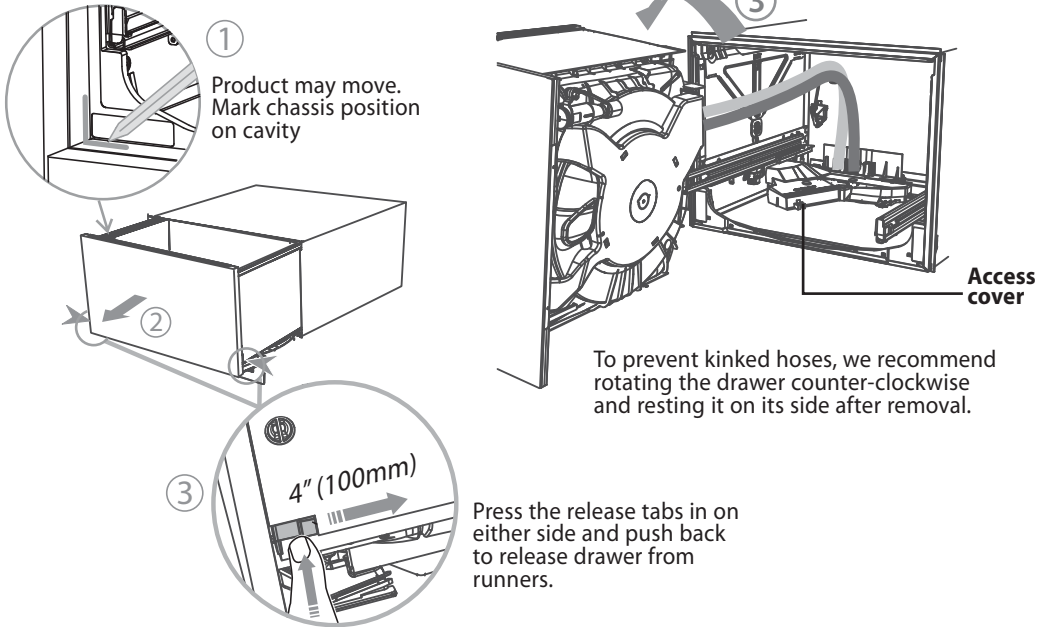
Note: when the top of the dishwasher has to be lower than the adjacent cabinetry, the panel can be increased in height.



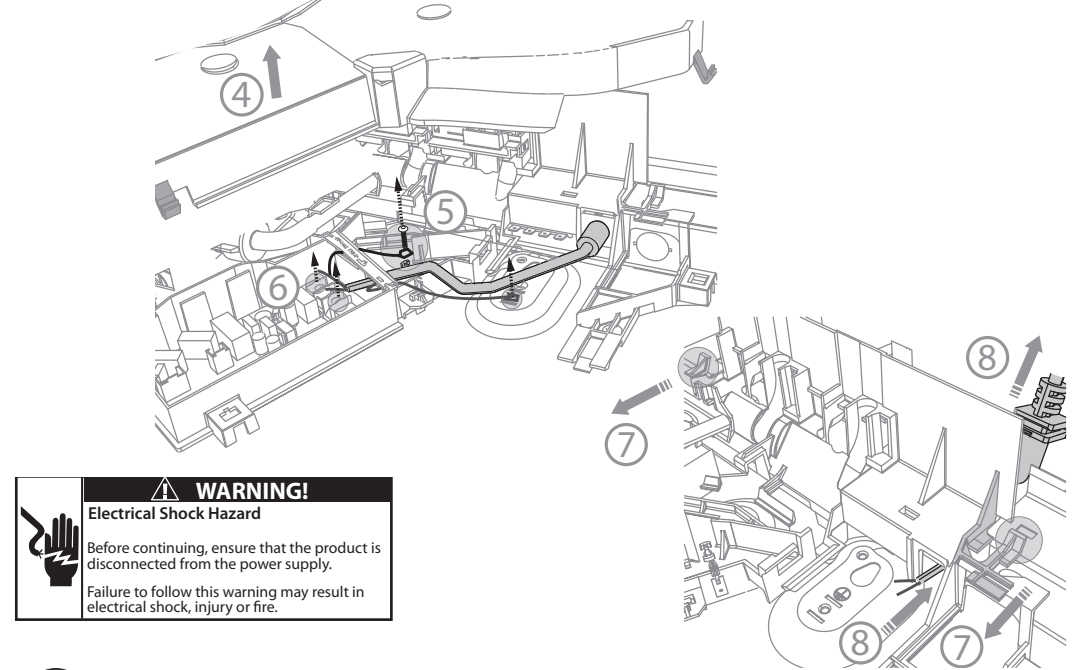


# 7) OPTIONALLY HARD WIRING PRIOR TO INSTALLATION

## 7a) REMOVE THE DRAWER

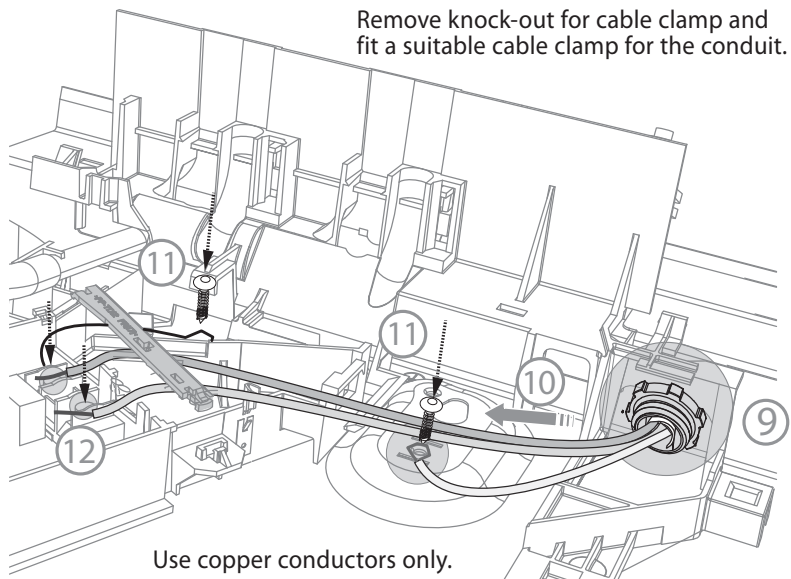


## 7b) REMOVE THE ACCESS COVER & POWER CORD

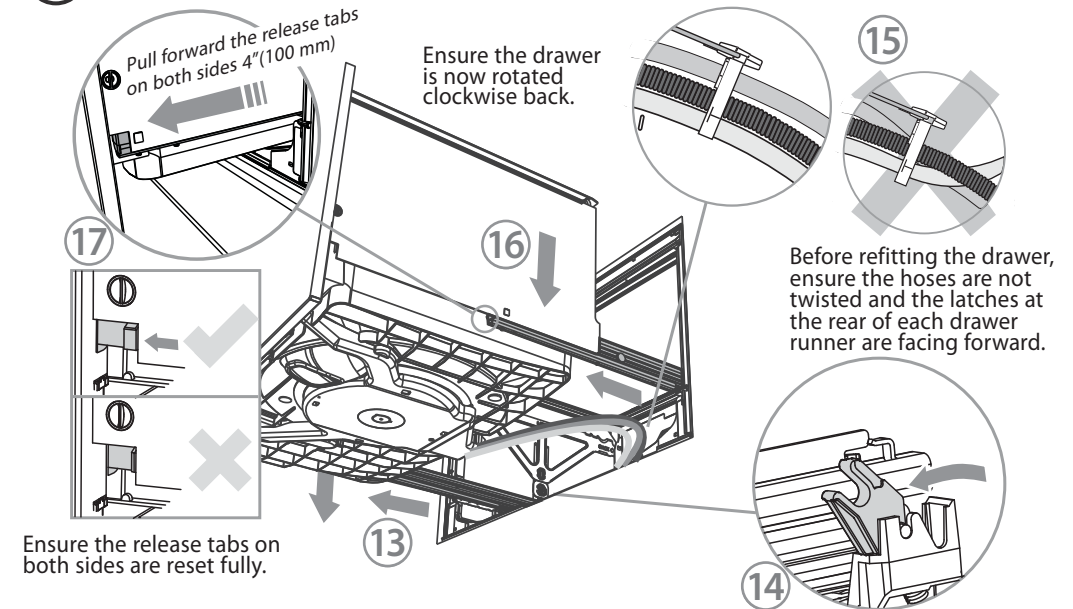


**WARNING!**  
**Electrical Shock Hazard**  
 Before continuing, ensure that the product is disconnected from the power supply.  
 Failure to follow this warning may result in electrical shock, injury or fire.

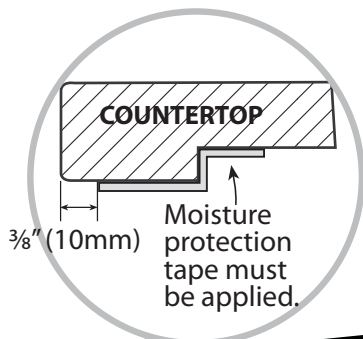
## 7c) TERMINATE THE WIRING AS SHOWN



## 7d) REFIT THE DRAWER ONTO THE RUNNERS & CLOSE



# 8 CAVITY PREPARATION



**Important!**  
The power outlet must be located in a cabinet adjacent to the dishwasher cavity.

110-120 VAC max. 15 A

These marks indicate formed bracket screw locations, if securing by drawer removal.

If there is no side partition, you can construct timber bracing as something to secure into.

**Important!**  
Adjacent cabinetry must not extend above cavity base

Services can be located either side of the dishwasher.

Ø max. 1 1/2" (38 mm) max. 17 1/16" (450 mm)

## Water Connection

Recommended **HOT** (Maximum 140°F/60°C).

Supplied hose to suit 3/8" (9 mm) male compression fitting.

## Water Pressure

*Water softener models*  
Max. 1 MPa (145 psi)  
Min. 0.1 MPa (14.5 psi)

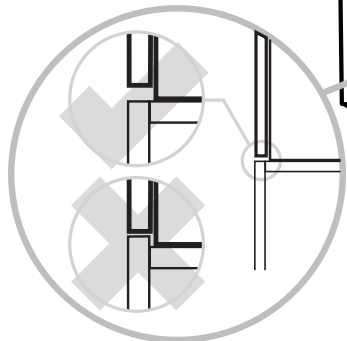
*Models without water softener*  
Max. 1 MPa (145 psi)  
Min. 0.03 MPa (4.3 psi)

min. 7 7/8" (200 mm)

## Services hole

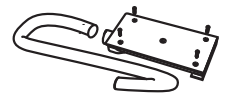
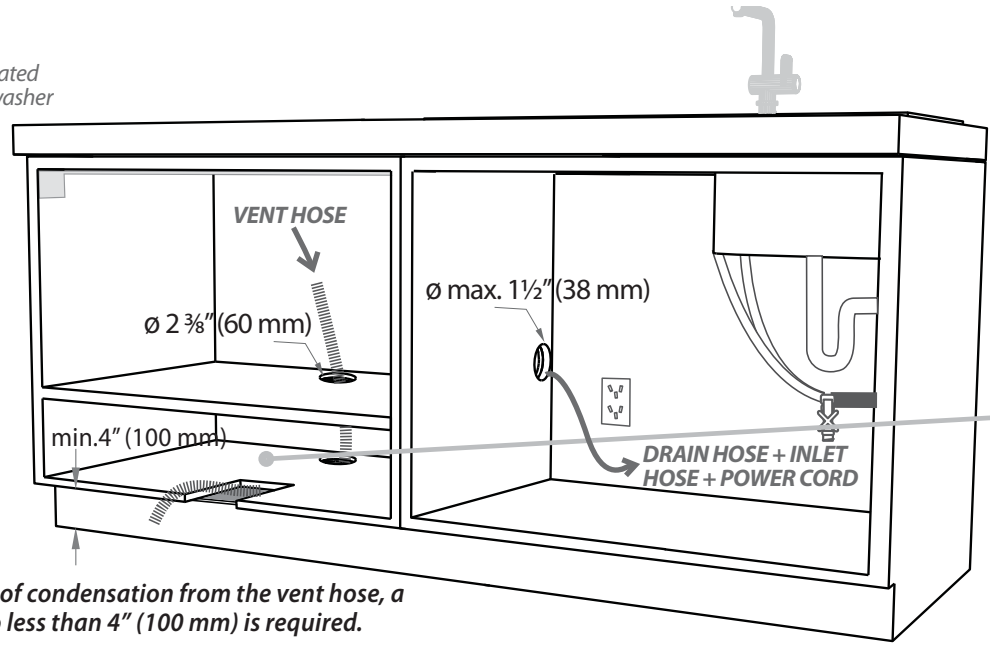
Can be located either side of dishwasher, preferably at the bottom of the cavity, as shown. If adequate clearance, services hole can be made higher to clear toekick space. If hole is higher, ensure drain hose(s) are routed straight into the waste connection.

- If the hole is through wood, make sure its edges are smooth and rounded.
- If the hole is through metal, ensure you fit the supplied Edge Protector to prevent damage to the power cord.



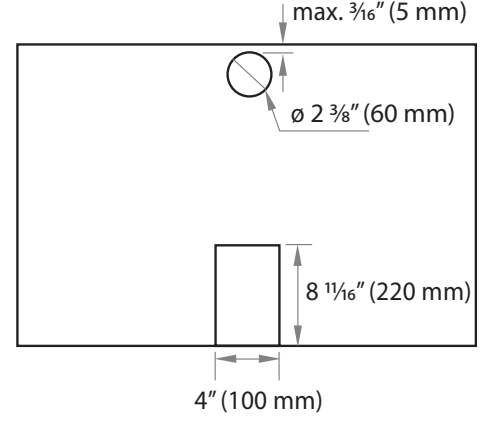
**9a) INTEGRATED MODELS ONLY - PREPARATION FOR EXTERNAL VENTING THROUGH SAME CABINET**

Services can be located either side of dishwasher



External Venting kit (1)

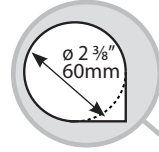
**Shelf cutouts**



**Important!**  
To prevent pooling of condensation from the vent hose, a toe-kick height of no less than 4" (100 mm) is required.

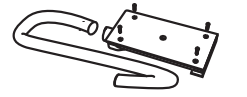
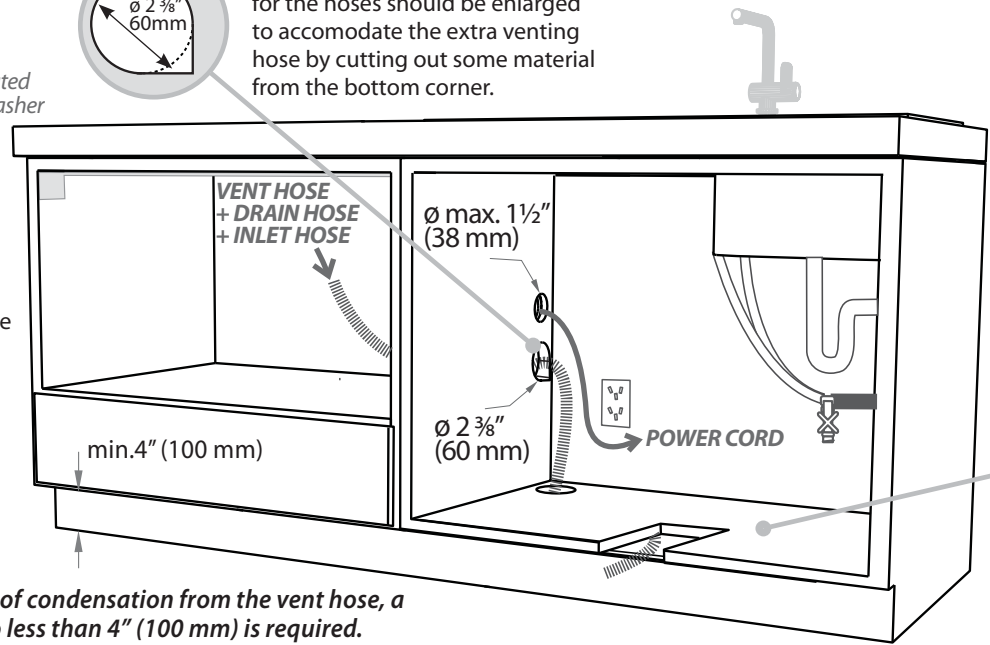
**9b) INTEGRATED MODELS ONLY - PREPARATION FOR EXTERNAL VENTING THROUGH ADJACENT CABINET**

Services can be located either side of dishwasher



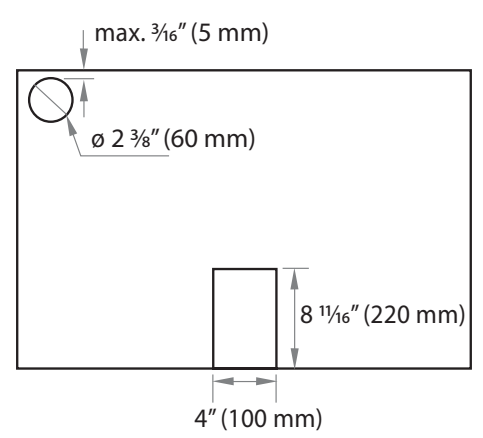
The ø 2 3/8" (60 mm) services hole for the hoses should be enlarged to accommodate the extra venting hose by cutting out some material from the bottom corner.

If the services holes are through metal, ensure you fit the supplied Edge Protector around the hole for the power cord.



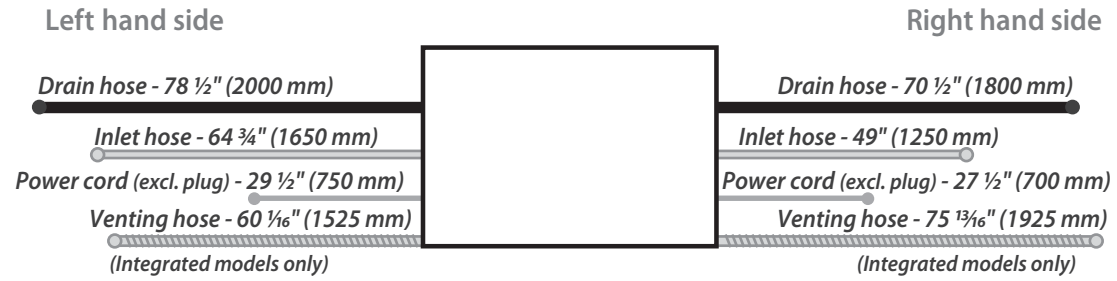
External Venting kit (1)

**Shelf cutouts**



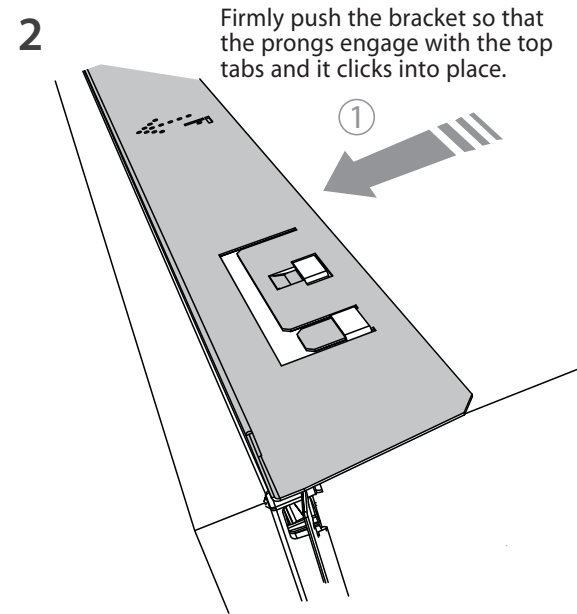
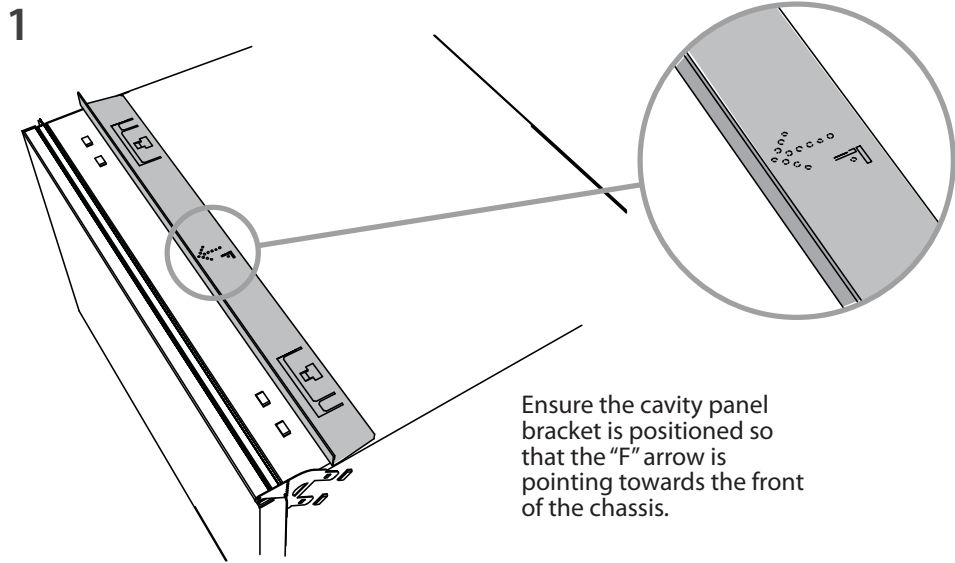
**Important!**  
To prevent pooling of condensation from the vent hose, a toe-kick height of no less than 4" (100 mm) is required.

**10** MAXIMUM DISTANCE OF HOSES & CORD FROM CHASSIS EDGE

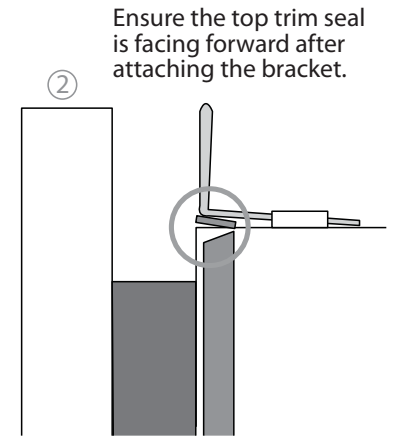


# 11 DESIGNER & INTEGRATED TALL MODELS FOR 18 7/8" (480 mm) CAVITY ONLY - ATTACH CAVITY BRACKET

The enclosed cavity bracket is fitted before installation in order to conceal the gap at the top of the cavity left after installation.

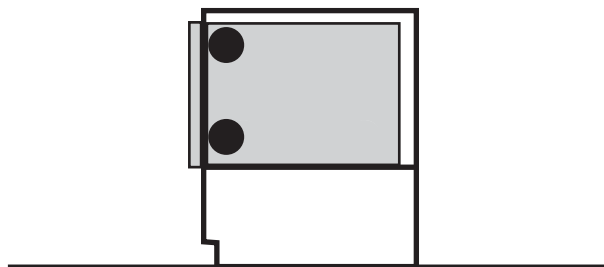


**Important!**  
Ensure the prongs have not been driven down into the chassis as this will damage the lid below.

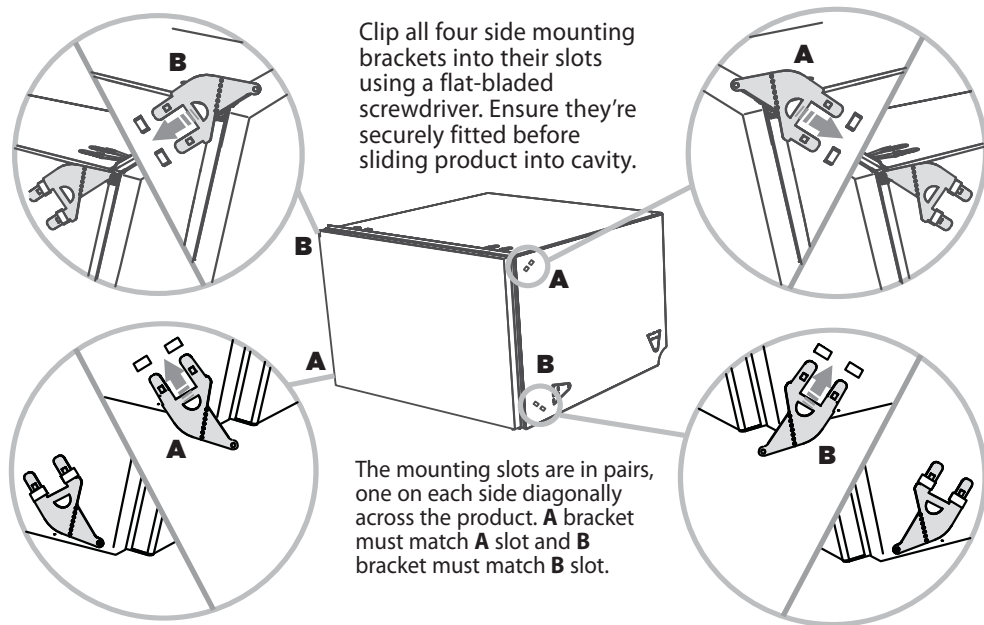


# NOW CHOOSE WHICH INSTALLATION METHOD (a) or (b) IS MORE SUITABLE FOR YOUR CABINETRY...

RECOMMENDED METHOD (a) - SECURE WITHOUT DRAWER REMOVAL (FRAMELESS CABINETRY ONLY)

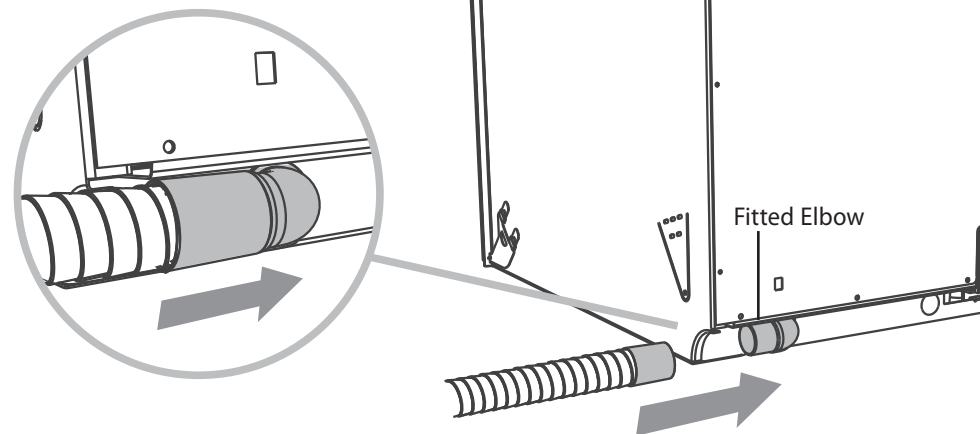


## 12a ATTACH SIDE MOUNTING BRACKETS

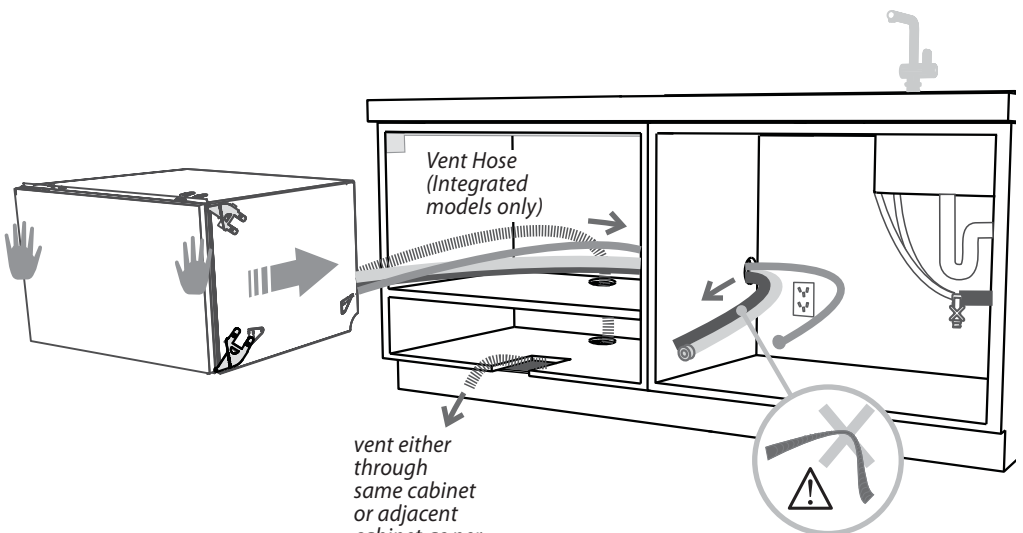


## 13a INTEGRATED ONLY - ATTACH VENTING HOSE

Check that the fitted elbow is rotated left or right (depending on the direction of the routing), then ensure the venting hose is securely attached to it.

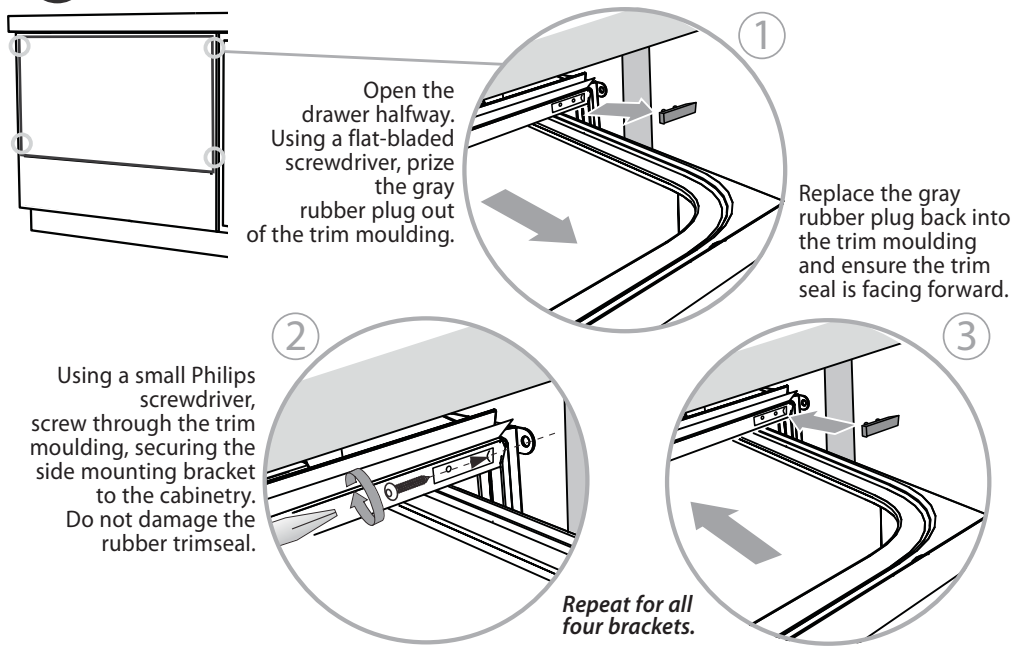


### 14a) PULL THROUGH HOSES & MOVE INTO THE CAVITY

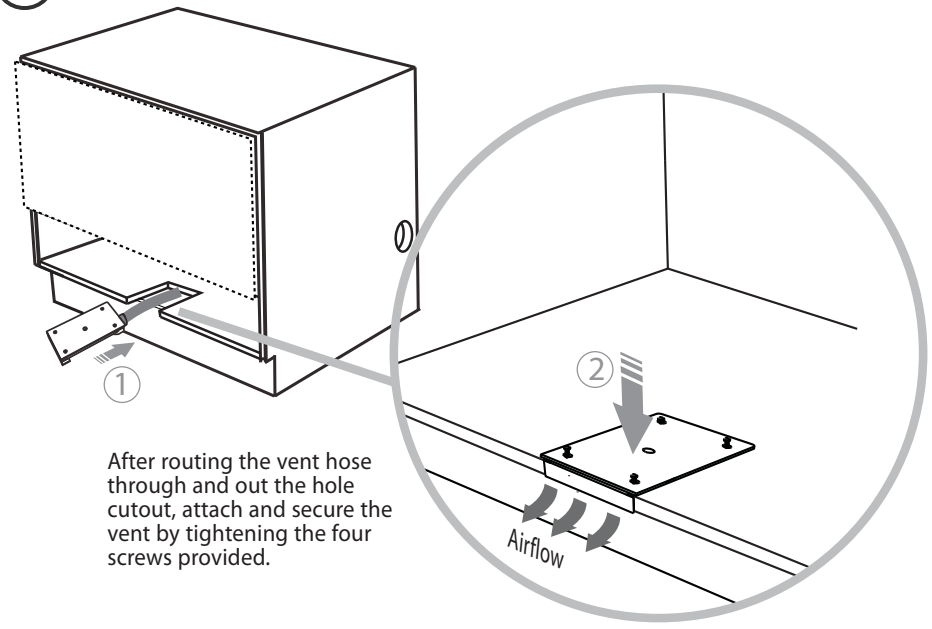


**Important!**  
 If product cannot be pushed in far enough, pull out again and rearrange hoses and cord. Do not use excessive force, as doing so may squash the hoses and lead to incorrect operation.

### 15a) SECURE THE DRAWER

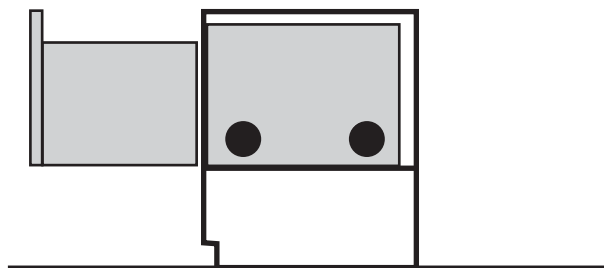


### 16a) INTEGRATED ONLY - SECURE THE EXTERNAL VENT



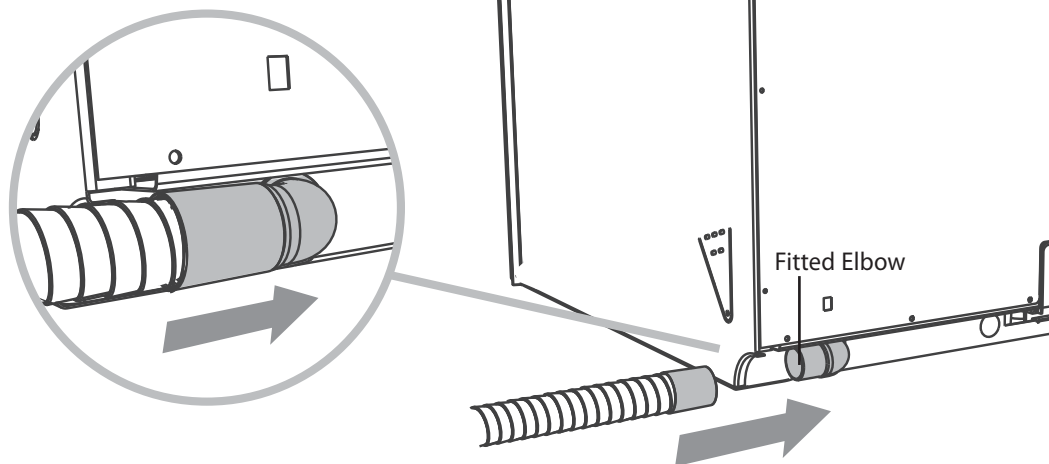
After routing the vent hose through and out the hole cutout, attach and secure the vent by tightening the four screws provided.

## ALTERNATIVE METHOD (b) - SECURE BY DRAWER REMOVAL

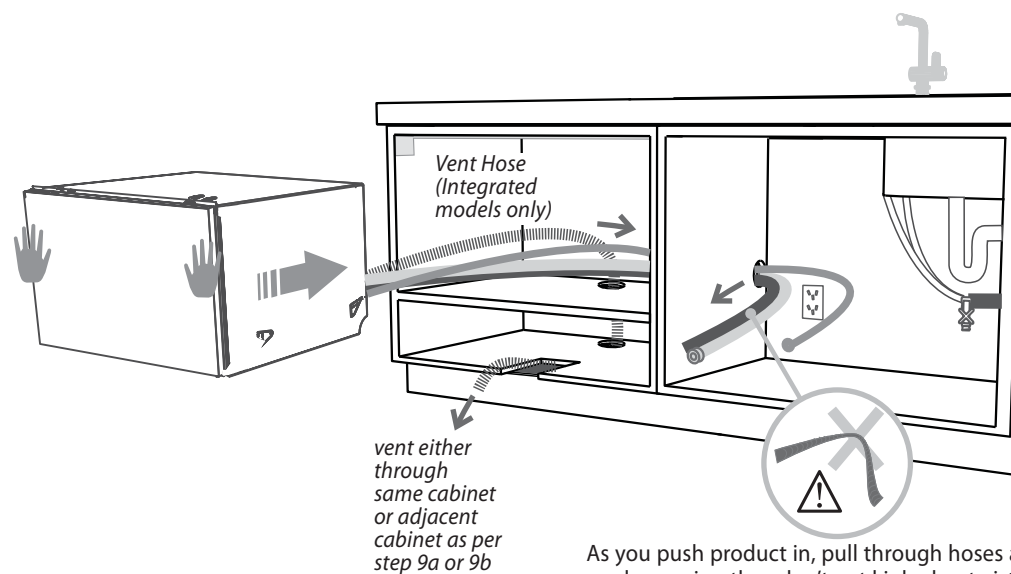


### 12b INTEGRATED ONLY - ATTACH VENTING HOSE

Check that the fitted elbow is rotated left or right (depending on the direction of the routing), then ensure the venting hose is securely attached to it.



### 13b PULL THROUGH HOSES & MOVE INTO THE CAVITY

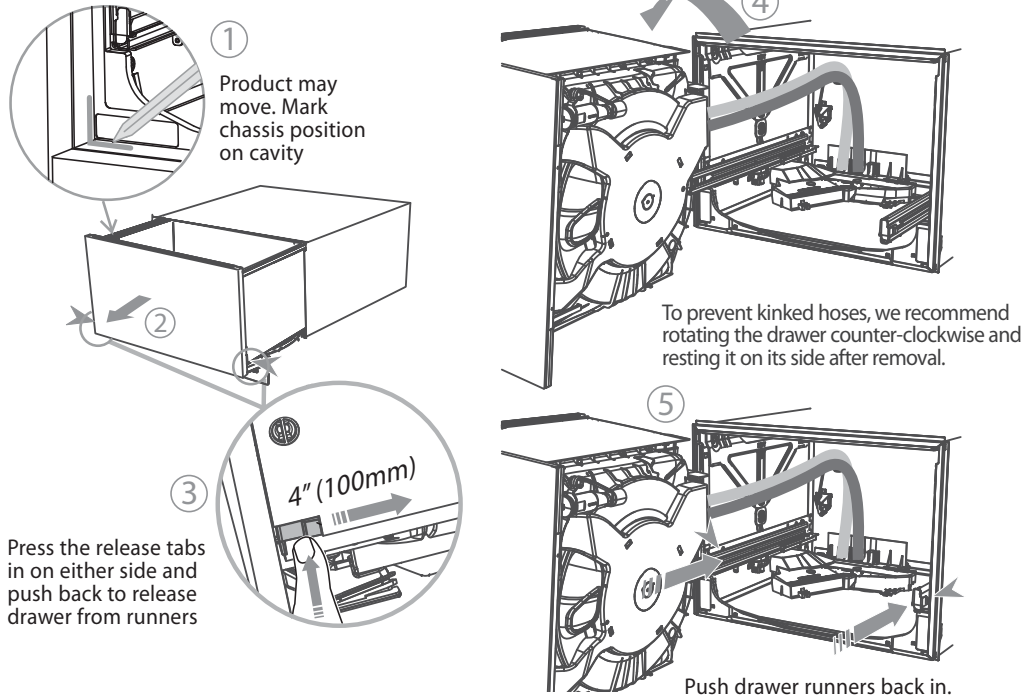


As you push product in, pull through hoses and cord, ensuring they don't get kinked or twisted.

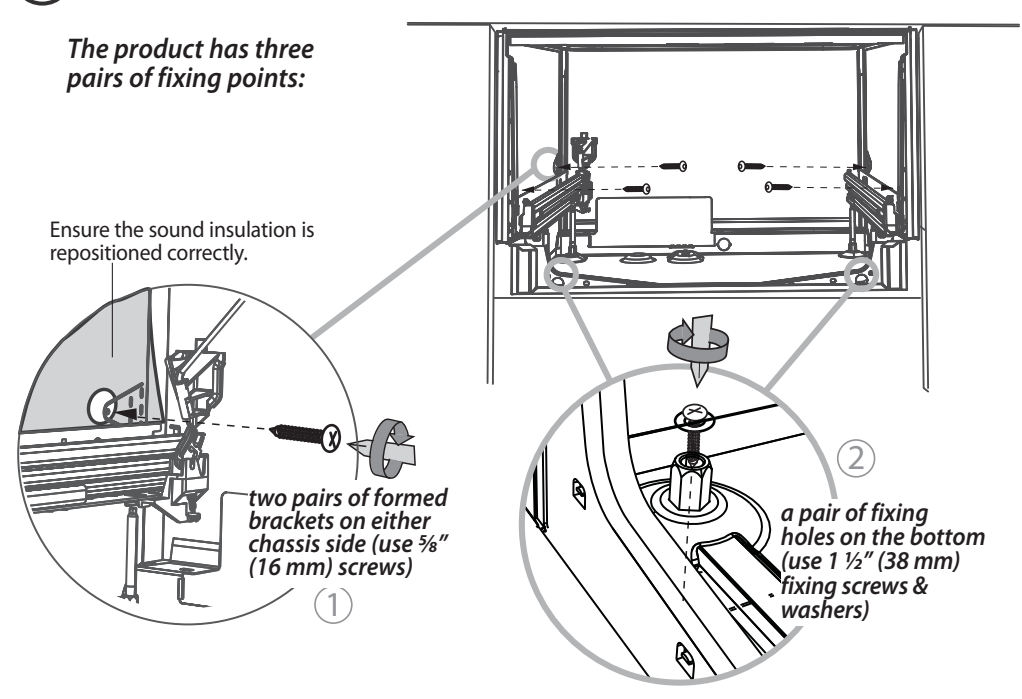
**Important!**  
If product cannot be pushed in far enough, pull out again and rearrange hoses and cord. Do not use excessive force, as doing so may squash the hoses and lead to incorrect operation.



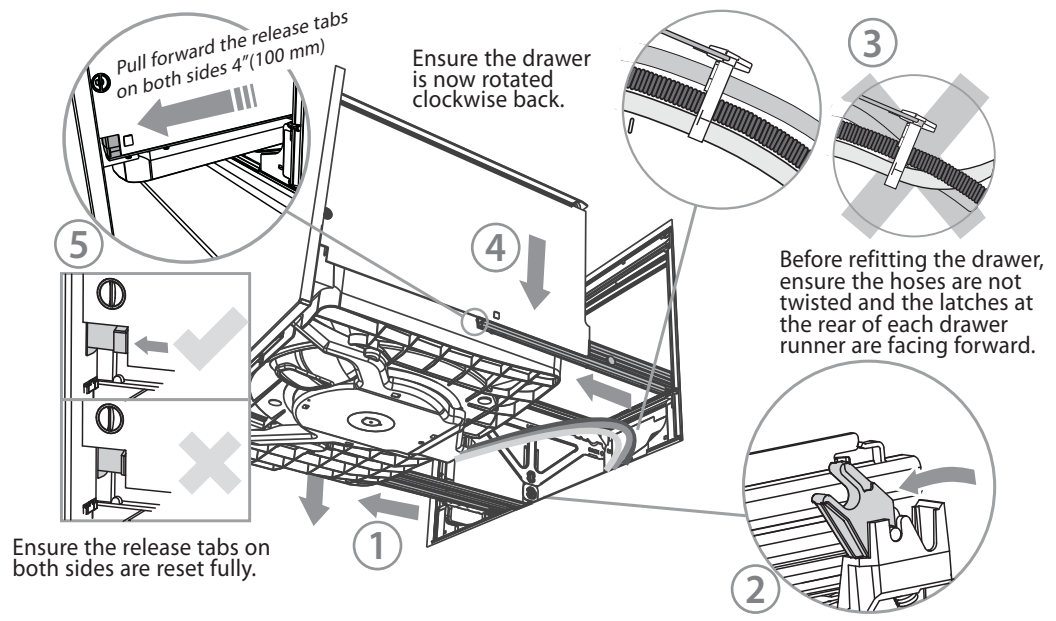
**14b REMOVE THE DRAWER**



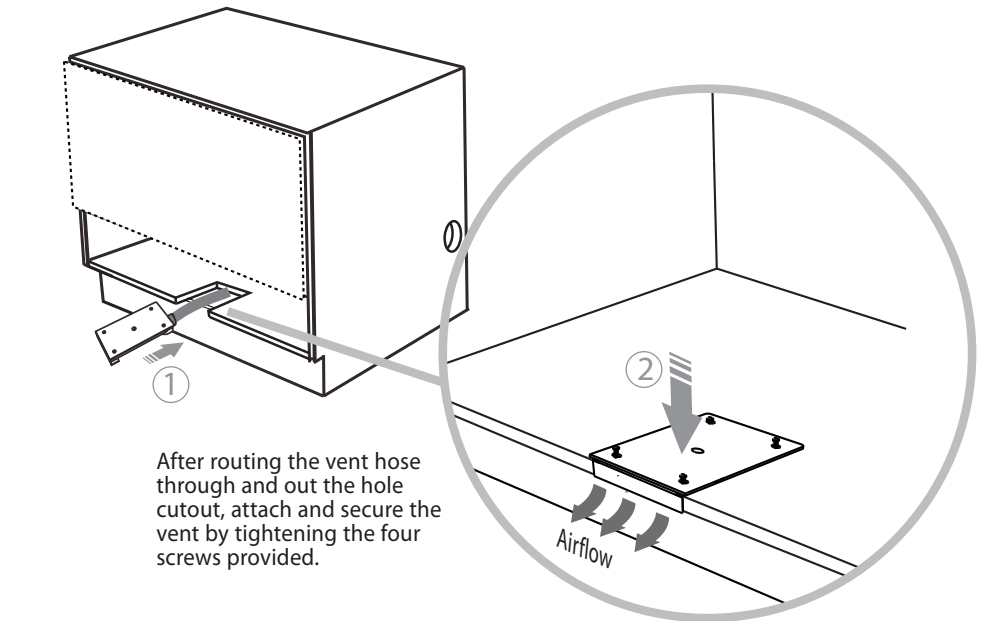
**15b SECURE THE DRAWER TO THE CABINETRY**



**16b REFIT THE DRAWER ONTO THE RUNNERS**

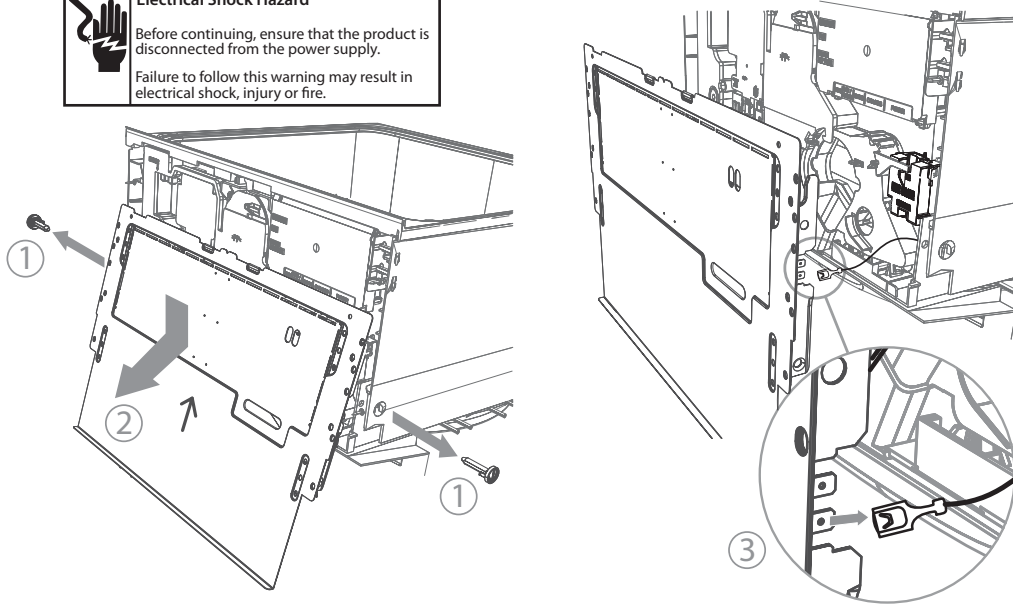


**17b INTEGRATED ONLY - SECURE THE EXTERNAL VENT**

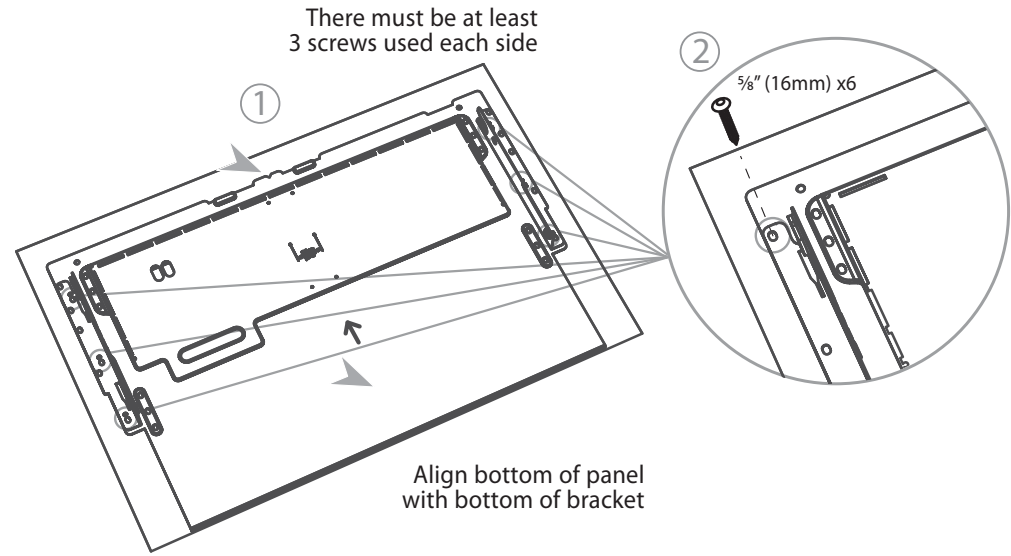


**18 REMOVE BRACKET FROM PRODUCT**

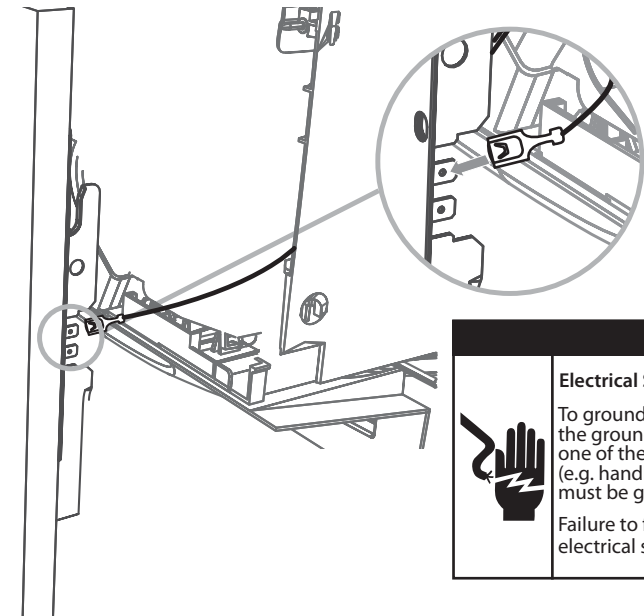
**WARNING!**  
**Electrical Shock Hazard**  
 Before continuing, ensure that the product is disconnected from the power supply.  
 Failure to follow this warning may result in electrical shock, injury or fire.



**19 ATTACH PANEL TO PANEL BRACKET**

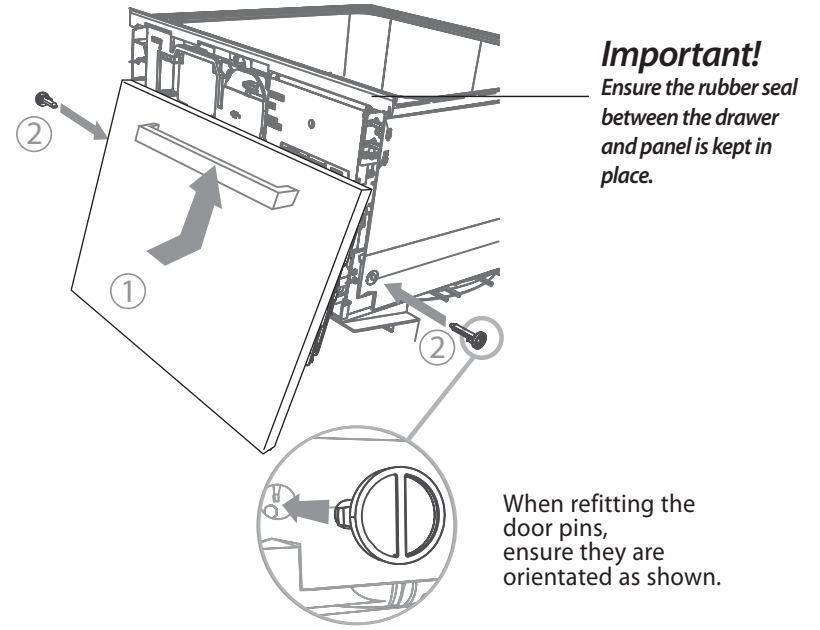


**20 GROUND THE PANEL**

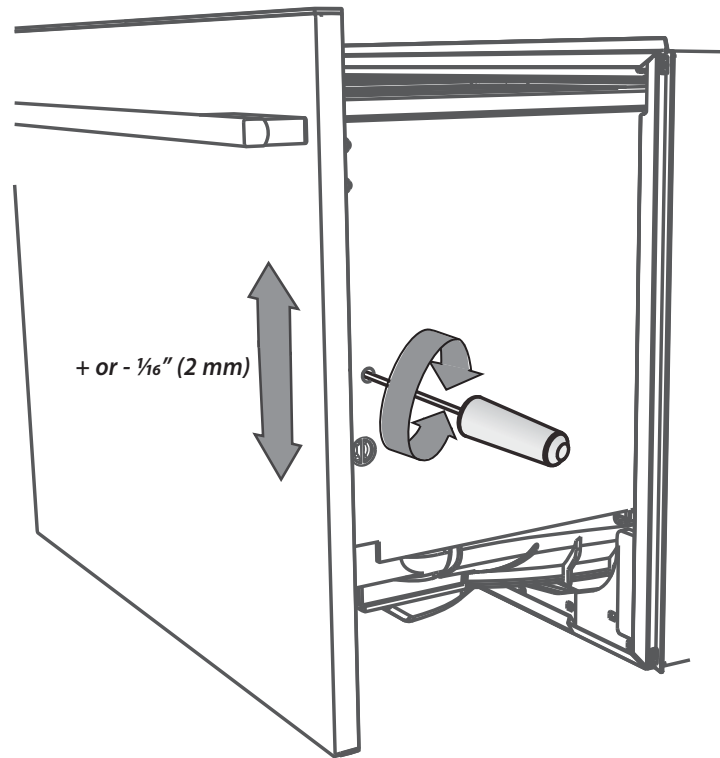


**WARNING!**  
**Electrical Shock Hazard**  
 To ground (earth) the panel bracket, connect the ground (earth) wire from the product to one of the tabs. Any custom metal component (e.g. handle) that extends past the rubber seal must be grounded (earthed) too.  
 Failure to follow these warnings may result in electrical shock, injury or fire.

**21 ATTACH PANEL TO PRODUCT**



22 ADJUST PANEL HEIGHT TO ALIGN THE CABINETRY GAPS



With the front panels fitted, insert an appropriately sized Philips screwdriver into the hole above the door pin and rotate the panels up or down to align the gaps in your cabinetry.

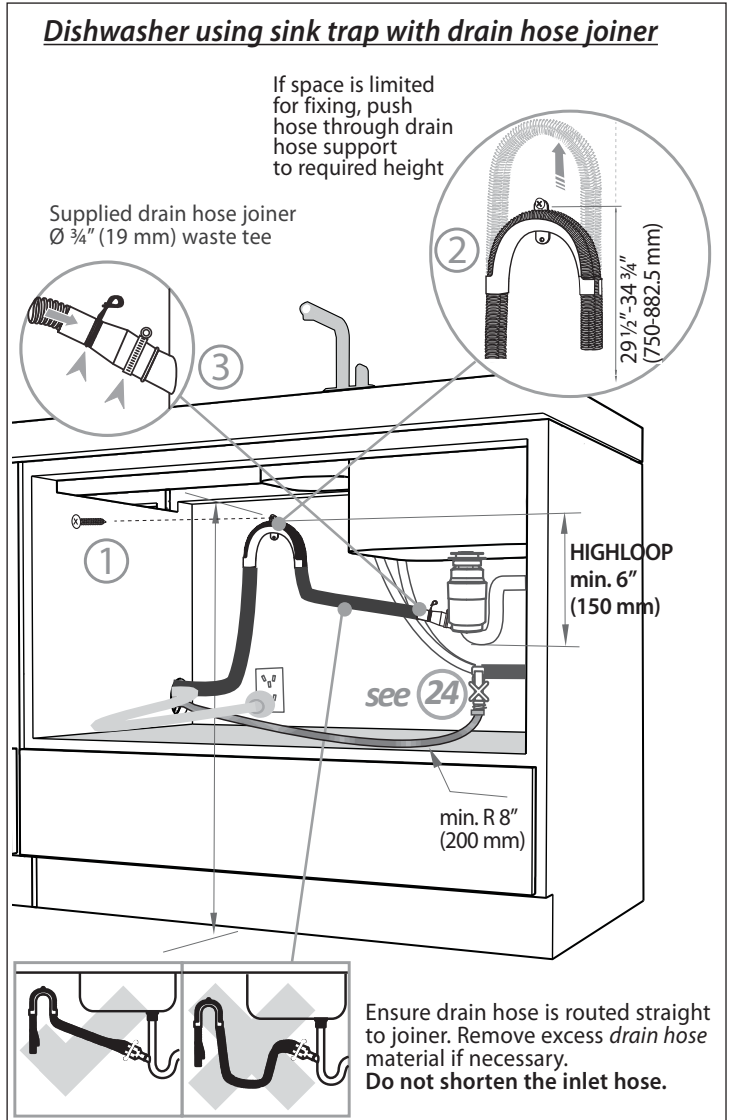
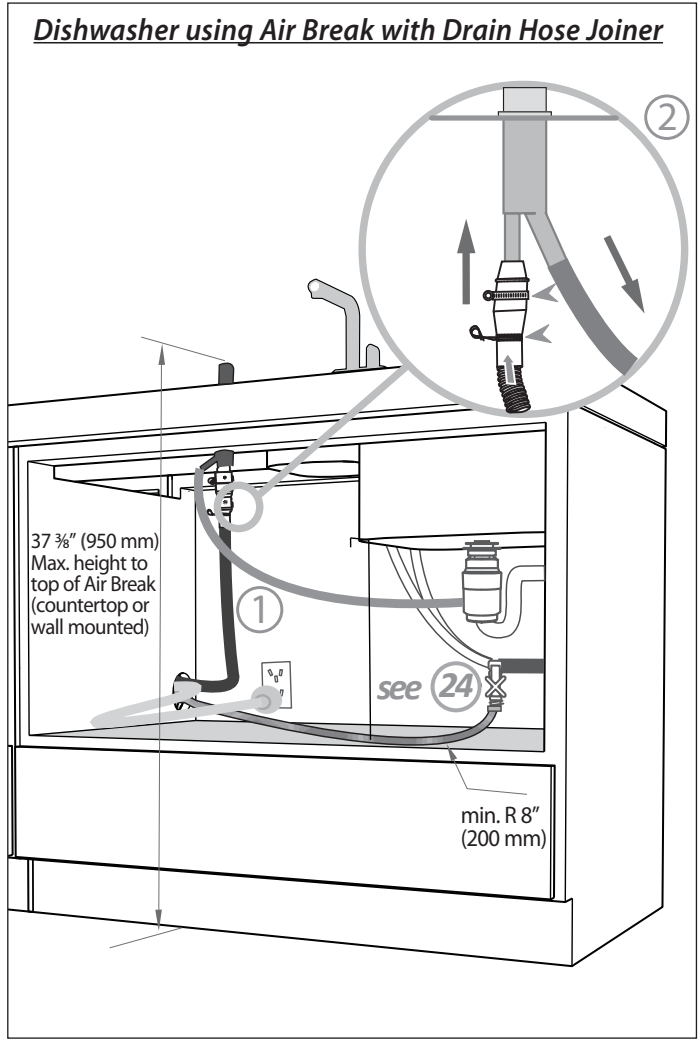
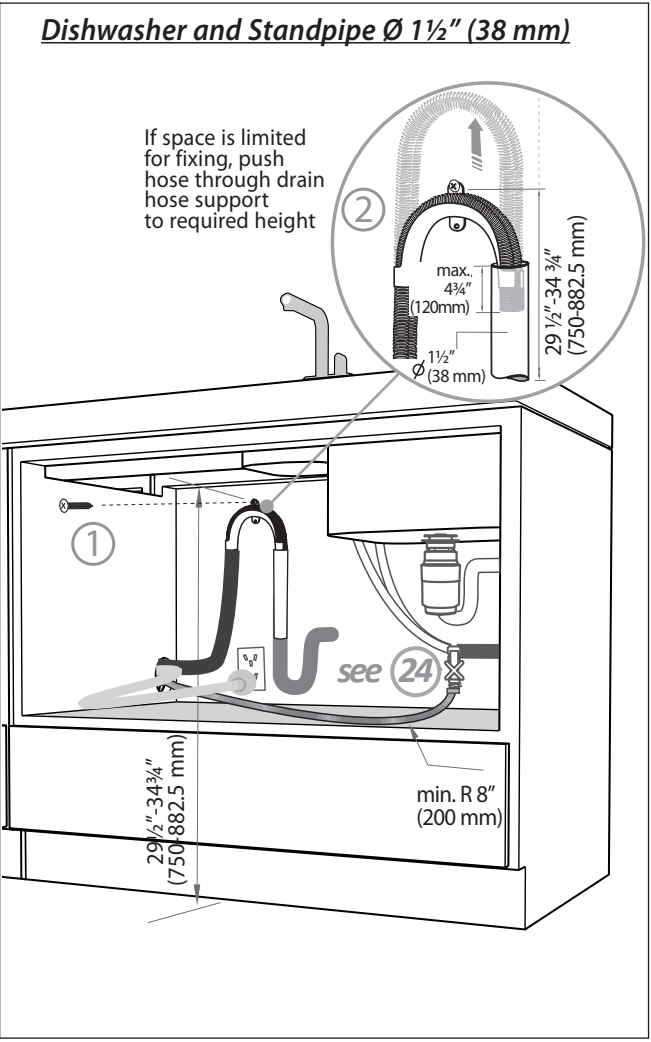
Repeat on the other side if necessary.

The panel has a maximum travel of 1/16" (2 mm) up or down.

**Important!**

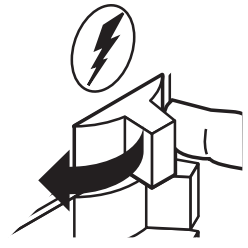
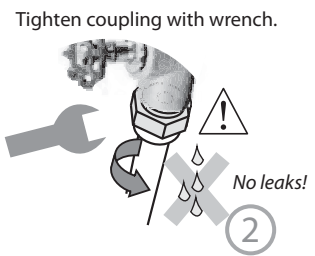
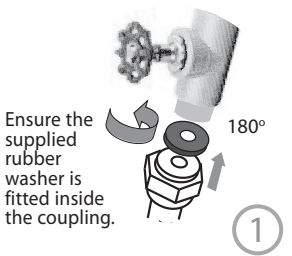
*Ensure that you maintain a minimum of 1/16" (2 mm) ventilation gap below the panel.*

**23) THERE ARE THREE DIFFERENT PLUMBING AND DRAINAGE OPTIONS. CHOOSE WHICH IS MORE SUITABLE.**



**24) CONNECT INLET HOSE TO HOT WATER**

**25) SWITCH PRODUCT ON**



**Important!**  
Ensure that drain connection will comply with local plumbing regulations.

## 26 FINAL CHECKLIST

- ✓
- Check all parts are installed.
- Ensure product is level, securely fastened to the cabinetry and opens and closes freely. The drawer must be free to fully close with no resistance from the cabinetry.
- Ensure inlet hose to water supply has supplied rubber washer fitted, and that it's tightened a further half turn after seal contact.
- Ensure any knockouts or plugs in drain connection have been drilled out and drain connection has been made.
- The drain hose joiner must not support the weight of excess hose material. Keep drain hose as fully extended as possible to prevent sagging. Any excess length of drain hose should be kept on the dishwasher side of the highloop.
- If connecting the drain hose to the sink trap, ensure the Highloop is a minimum 6" (150 mm) higher than the drain hose joiner.
- Ensure any packaging or tape securing the racks is removed from the drawer.
- Turn on the power and water supplies, then open the drawer. You should hear a beep and see a program indicator light up on the internal control panel.
- Check the spray arm is in place and free to rotate.



- Add three cups of water into the drawer. Press ► on the internal control panel until the indicator of the 'Rinse' program lights up. Close the drawer and press ► to start the program.
- After the Rinse program has finished, ensure the dishwasher has run and drained correctly.
- Check water supply and drainage connection for leakage.

## 27 TROUBLESHOOTING

- **Excessive water remaining above the filter plate, after the rinse cycle**  
Check for a kinked drain hose or blocked waste connection, highloop not properly installed or drain hose not routed correctly.
- **No water supply (This is displayed as a 'U1' fault -- see section 'If there is a fault' in the User guide for how to recognise this fault on models without a display.)**  
Check water is connected and turned on.
- **The dishwasher is beeping continuously**  
There is a fault. See section 'If there is a fault' in the User guide for further information and instructions.
- **No program indicator lights up when the drawer is opened**  
Ensure power is connected and is switched on. If it is and still no indicator lights up, see the 'Preference options' section of the 'Quick start guide'. An option called 'Open drawer auto power-on' may need to be turned on.
- **Water around water supply and drainage connections**  
Check connections, existing plumbing and hoses for leaks. Check rubber washer and hose clamp are correctly fitted.
- **If product is tipping**  
Ensure the product is secured to the cabinetry.
- **If front panels are misaligned**  
Check and relevel product. Check the cabinetry is square. For Integrated models, check and adjust front panel alignment if necessary.
- **Drawer doesn't close properly**  
Ensure nothing is obstructing the drawer from closing properly eg sound insulation, hoses or drawer latches.
- If a problem occurs, consult the 'Troubleshooting' section of the User guide.
- If after checking these points you still need assistance, please refer to the Service & Warranty book for warranty details and your nearest Authorized Service Center, or contact us through our website, listed below.

### **Important!** **SAVE THESE INSTRUCTIONS**

*The models shown in this document may not be available in all markets and are subject to change at any time. For current details about model and specification availability in your country, please visit our website listed at the end of this document or contact your local Fisher & Paykel dealer.*