

# QUICK START GUIDE

Wall oven

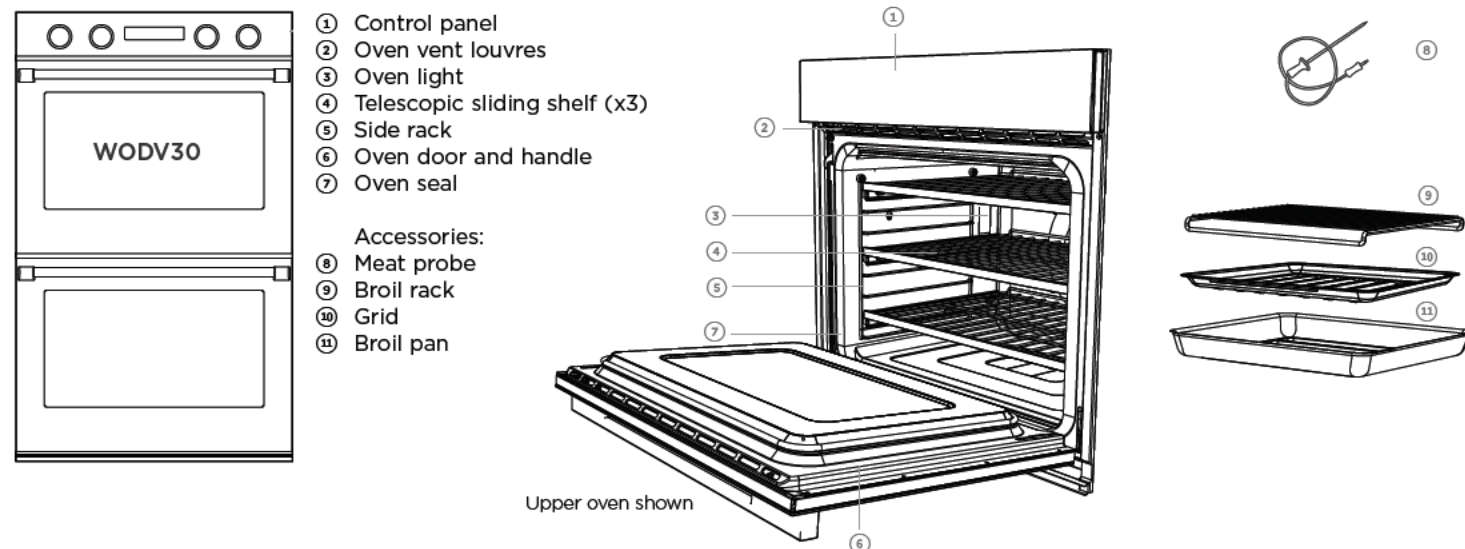
US CA

FISHER & PAYKEL

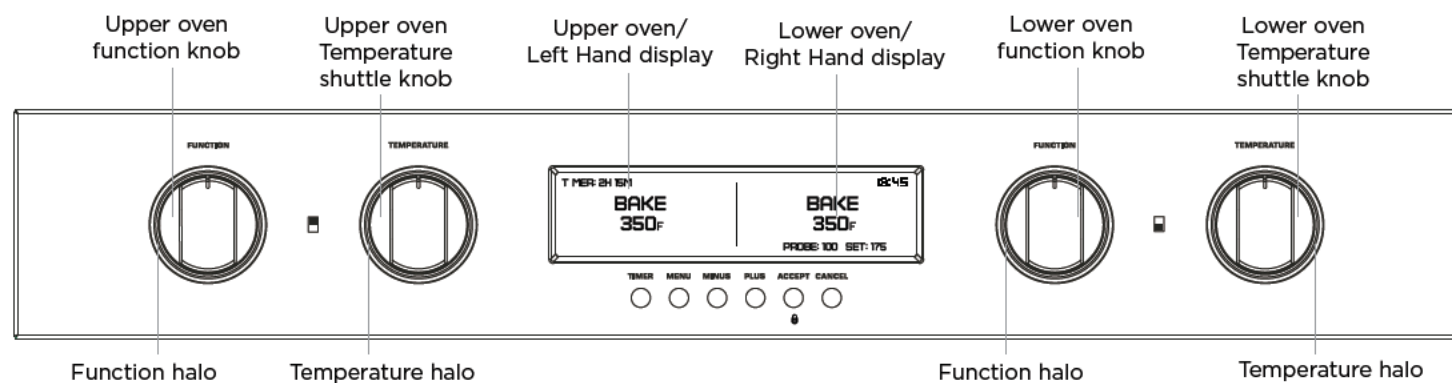
Keep this document handy for easy reference.

- For detailed information on the features of your oven, see your 'User guide'.
- Before using your oven, make sure you read the full 'User guide', with special attention to the 'Safety and warnings' section.
- For contact information or if you require service, assistance or replacement parts, see the end of this document or your 'Service & warranty' booklet.

## YOUR MODEL



## THE CONTROL PANEL



**Timer**  
 If a timer is set:  
 Displays the remaining time counting down as the oven heats up

**Upper oven display**

- Shows the selected oven function for the upper oven
- Shows the current temperature and the set temperature of the upper oven as it heats up

**Lower oven display**

- Shows the selected oven function for the lower oven
- Shows the current temperature and the set temperature of the lower oven as it heats up

**Clock**  
 If set:  
 Shows the current time of day

**Meat probe (shows in either display)**  
 (see 'Using the meat probe' in User guide)  
 If a meat probe is in use (either oven):  
 Shows the current temperature and the set temperature of the probe.

**Accept/Lock button**  
**Locking the control panel**

- To lock, press and hold ACCEPT for 1 sec. **LOCKED** will display in the Oven function display.
- To unlock, press and hold ACCEPT for 5 secs. **LOCKED** will disappear from the Oven function display.

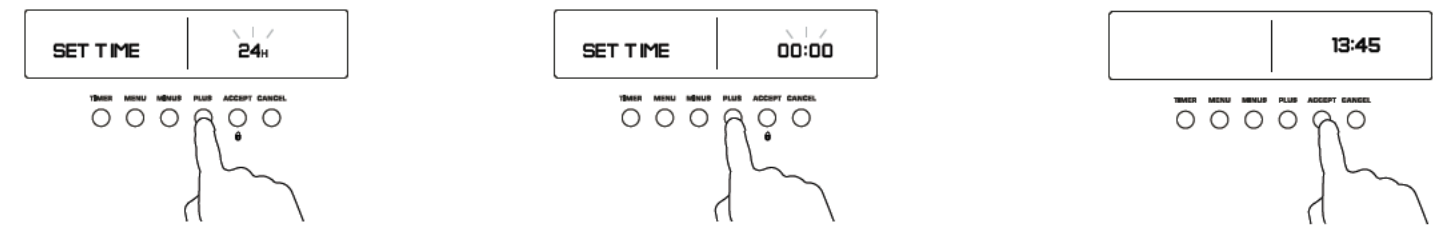
**Automatic cooking**  
 (see 'Automatic cooking' in User guide)  
 If Automatic cooking is set:  
 Shows the time until the cooking starts and the time until the cooking ends.

Timer button | Menu button | Setting selection buttons | Cancel button

## SETTING THE CLOCK

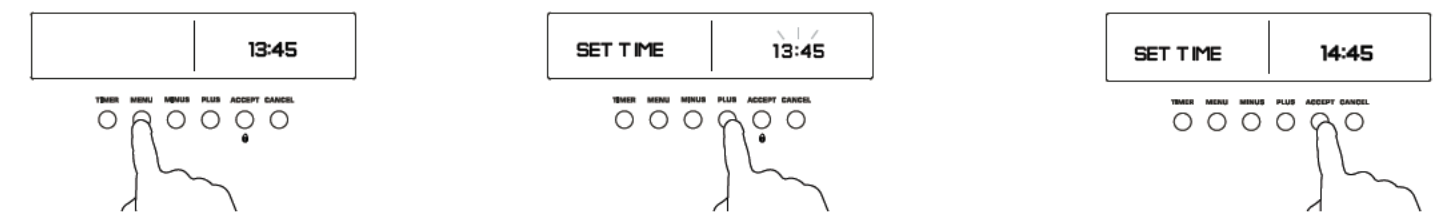
You set the clock within the user preference menu. To learn more about the user preference menu, refer to your User Guide.  
 Note: When you first switch your oven on at the wall you will initially be prompted to set the time. If you do not wish to set the time at this stage, press CANCEL to exit the clock setting. If you want to set the clock later, follow the steps under 'To change the time'.

### When the oven is first switched on at the wall



- ① The display will flash **24h**
- ② Press PLUS or MINUS to scroll between 24H and 12H. Press ACCEPT to confirm.
- ③ The display will flash either **0:00** (if 12H set) or **00:00** (if 24H set). Press PLUS or MINUS to adjust the time.
- ④ Press ACCEPT to confirm. The time is now set and will show in the display.

### To change the time (within the user preference menu)



- ① Press and hold MENU for a few seconds to enter the user preference menu.
- ② Press PLUS to select **SET TIME**. The current set time will flash.
- ③ Press PLUS or MINUS to adjust the time.
- ④ Press ACCEPT to confirm. The time is now set and will show in the display.

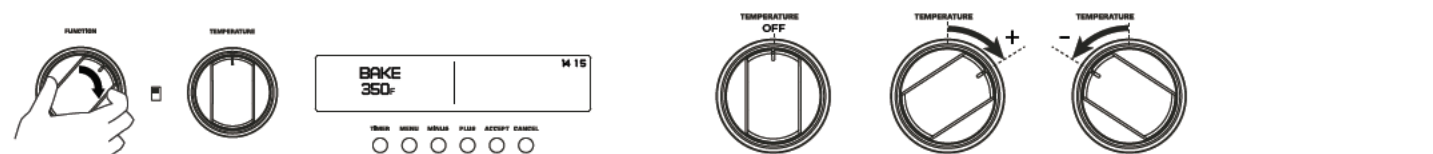
### To change the clock settings

In the user preference menu you can also change between 12H and 24H. Refer to your User guide to learn more about this feature.

## CONDITION THE OVEN

It is important to condition both ovens before using it for cooking and baking. Conditioning will burn off any manufacturing residues and ensure that you get the best results right from the start.  
 You can condition both ovens at the same time. Use the appropriate oven knobs.

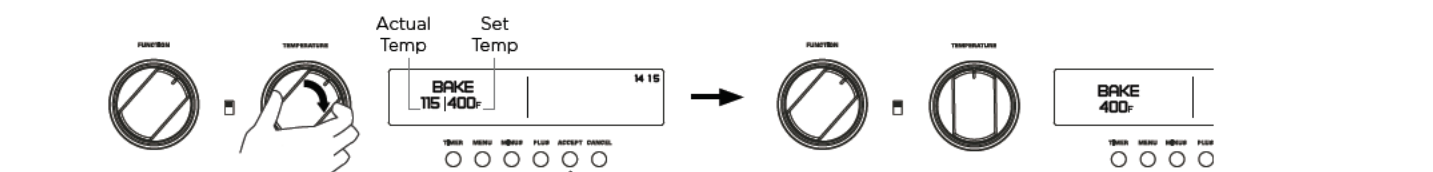
- ① Make sure you have removed any packaging and any cable ties used to secure the shelving during transit.
- ② Make sure you have set the clock.
- ③ Make sure all the shelves are fitted.



- ④ Rotate the upper oven function knob clockwise to select **BAKE** function.
  - The halo will glow orange.
  - Each function has a preset temperature. The oven will start heating at the **BAKE** preset temperature of **350 F**.

- Using the temperature shuttle knob:**
- Rotate the temperature knob to the right to increase the temperature.
  - Release the knob and it automatically returns to the OFF position.
  - Rotate the temperature knob to the left to decrease the temperature.
  - Release the knob and it automatically returns to the OFF position.
  - Holding the knob to the right or the left will speed up the increments that the temperature increases or decreases by.

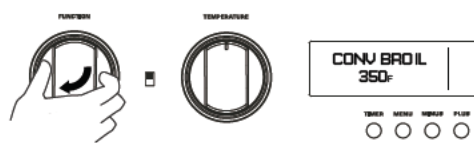
**IMPORTANT!**  
 The knob only rotates a certain amount in either direction. Do not force the knob to rotate further.



- ⑤ Rotate the upper oven temperature shuttle knob clockwise to increase the temperature to 400°F for 30 minutes.
  - The halo will glow white, while the oven is heating up.
  - The oven display will show the actual and set temperatures.
  - When the oven has reached set temperature, a tone will sound and the halo will turn orange.

continued >

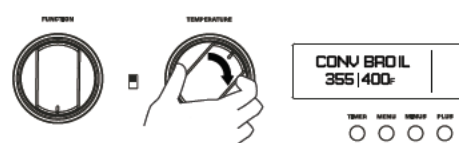
## CONDITION THE OVEN (CONTINUED)



- ⑥ After 30 minutes is up, select the **CONVE BROIL** function.

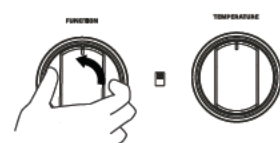
- The oven heats at the **CONVE BROIL** preset temperature of **350°F**.

- There will be a distinctive smell and a small amount of smoke during the conditioning of the oven. This is normal, but make sure the kitchen is well ventilated during the conditioning.
- Once cooled, wipe out the oven with a damp cloth and mild detergent, and dry thoroughly.



- ⑦ Set the temperature to **400°F** for 5 minutes.

- The halos will remain orange.
- The temperature display may show the actual and set temperatures.



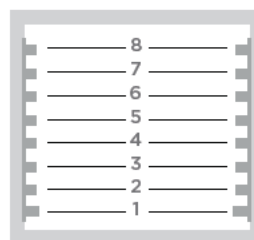
- ⑧ After 5 minutes is up, turn the upper oven function knob counter clockwise back to **OFF**.
- both halos will go out.

## REPOSITIONING THE SHELVES (EITHER OVEN)

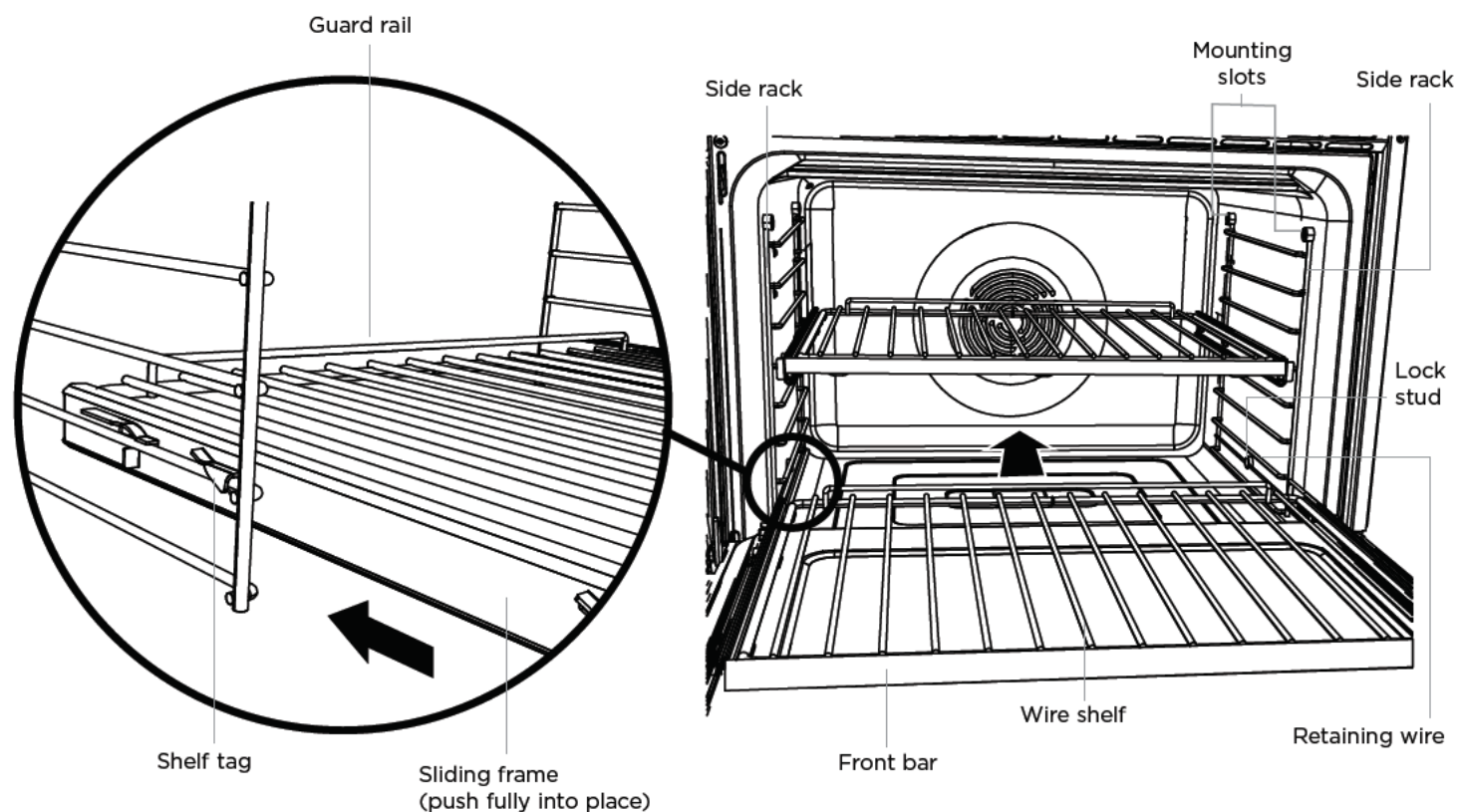
Placing the telescopic sliding shelves on the side racks provides **EIGHT** cooking positions to choose from. Refer to the User guide for suggested shelf positions.

Note: generally, the shelf positions in the top of the oven are suitable for broiling. Those in the middle or lower region of the oven are suitable for baking, roasting and casseroles.

- Always position oven shelves **BEFORE** heating the oven.
- To remove a sliding shelf, grip it by its two front corners (making sure you are gripping the wire shelf and the sliding frame together), tilt upwards and pull it out of the oven.
- To place a sliding shelf in the oven correctly, position it so that the front bar is toward you, as shown.
- Check that the sliding frame is not extended.
- Check the guard rail (as shown) to make sure the shelf is the right way up.
- Position the shelf so that it is level and the rear shelf tags on both sides of the sliding frame rest on the side racks (as shown).
- Then push the sliding shelf all the way to the back of the oven, until the front shelf tags drop into place.
- For your safety, the wire shelves and telescopic sliding frames are built together as one unit and are not separable. This means that when placed properly on the side racks, the slides will prevent the wire shelves from tilting when pulled towards you.
- To prevent the tags from lifting off the side racks, take care to slide the shelves forward horizontally.



Shelf positions



## USING THE TIMER

- You can use the timer at any time, even if you are not using the oven.
- The timer is set independently of the two ovens. Only one timer can be set at a time.
- If the time is more than an hour, the display will count down in minutes (H:M). If it is less than an hour, it will count down in seconds (M:S).
- You can set the timer for up to 23 hours 59 minutes.

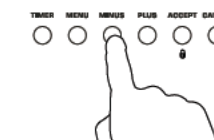
### IMPORTANT!

The timer does **NOT** turn the oven off.

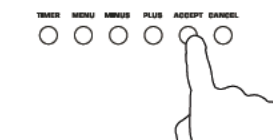
#### To set the timer



- ⑥ Press **TIMER**. **0h 00m** will flash in the display to indicate the timer is ready to be set.



- ⑥ Press **PLUS** or **MINUS** to adjust the length of the timer.
- Holding the buttons down will speed up the time adjustments.



- ⑥ Press **ACCEPT** to confirm. The timer is now set and will begin counting down.
- The display will revert automatically to the home screen, with the Timer setting in the top left screen.

#### To modify the timer setting

Adjusting the timer setting is the same process as setting a new timer.

- Press **TIMER**. The previous timer setting will flash in the display.
- Press **PLUS** or **MINUS** to modify the length of the timer.
- Press **ACCEPT** to confirm. The timer is now set and will begin counting down.

#### To cancel the timer setting

- Press **TIMER**.
- Press and hold **CANCEL** to clear the timer setting.

#### When the set time is up

- The timer will show **00h**. A tone will sound.
- Press **ACCEPT** or **CANCEL** to stop the tone sounding.

## FOR MORE INFORMATION

For detailed information on the features of your oven



see your 'User guide'

For warranty information



see your 'Service and warranty' booklet

If you...

- have any questions or comments
- need a Fisher & Paykel authorized technician to service your product
- need replacement parts or accessories
- want to register your product



see your 'Service and warranty' booklet or contact us

USA toll-free, 24/7 1 888 936 7872  
CA toll-free, 24/7 1 888 936 7872

[www.fisherpaykel.com](http://www.fisherpaykel.com)