

Dual Fuel Range, 48", 5 Burners with Griddle, Self-cleaning

Series 9 | Professional

Stainless Steel | Natural gas



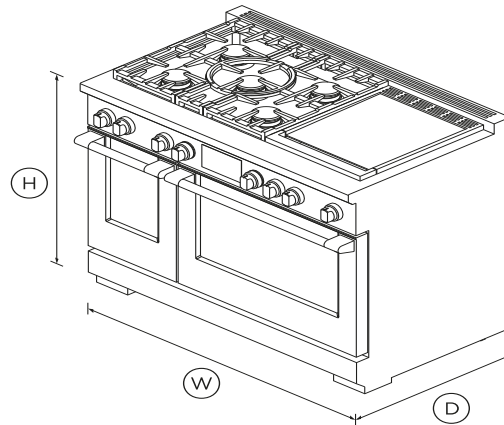
With intuitive touchscreen and specialized cooking functions across two ovens, this range is a stand-out addition to your kitchen.

- Guided cooking using your touchscreen makes it simple to cook by food, function or recipe.
- Gas cooktop with griddle and a top burner heat up to 23,500 BTU, for seriously fast boiling
- 6.9 cu ft total oven capacity across two oven cavities

- Ensure perfect results with the food probe, included

DIMENSIONS

Height	35 ³ / ₄ - 36 ³ / ₄ "
Width	47 ⁷ / ₈ "
Depth	29 ¹ / ₈ "



FEATURES & BENEFITS

Cook with confidence

Our touchscreen interface provides an intuitive guided cooking experience that helps deliver perfect results, whether you've been cooking all your life or just starting out. Cook with a favorite method, a hero ingredient, or a go-to cooking function or recipe. The screen tilts for improved ergonomics and optimal visibility while cooking.

Generous capacity

Two independently operating cavities provide a large total capacity of 4.8 cu. ft. in the main cavity and 2.1 cu. ft. in the secondary. That's enough room for a 32 lb turkey in one oven, and your sides in the other.

Cooking flexibility

No matter what you're cooking, you've got the right heat to get perfect results. Each of the 15 oven functions in the main cavity and 11 in the secondary have been extensively researched and carefully designed to cater to a broad range of dishes and cooking styles. The handy food probe helps you monitor your progress.

Cooktop power

Sealed dual flow burners deliver cooktop power up to 23,500 BTU for seriously fast boiling, and precise 140°F full surface, low temperature cooking with the gentlest of flames.

Design quality

This range has craftsmanship in every detail, with real stainless steel, cast-iron trivets, and beautifully weighted, halo illuminated dials. Each cavity features incandescent lights and full extension telescopic racks. From the robust legs to the powerful cooktop, this Range is built to last.

Easy to clean

The oven features a self-cleaning function and self-clean proof side racks, which don't need to be removed when using this function.

SPECIFICATIONS

Accessories

Square handle option

AH-R48

Cleaning

Pyrolytic self-clean

Controls

- Dial with illuminated halo
- High resolution display
- High resolution touch display
- Metal illuminated dials
- Multi-language interface
- Precise cooking with food
- Recipe and food based
- Sabbath mode
- Tilting touch screen interface
- Titanium coated, illuminated
- Wifi connectivity

Gas requirements

- Fitting and pipe ½ NPT, min. ⅝" Ø flex line
- Supply Pressure (natural gas) 6" to 9" W.C

Main oven features

- Capacity total (AHAM) 4.8 cu ft
- Capacity usable (AHAM) 3.8 cu ft
- Concealed Element
- Electronic oven control
- 2 Full extension telescopic racks
- Internal Light
- Large broil pan
- Self cleaning
- Self-clean proof side racks
- 5 Shelf positions
- True convection

Main oven functions

- Air fry
- Bake
- Classic bake
- Clean
- Convection bake
- Convection broil
- Dehydrate
- Maxi broil
- 15 Number of main oven
- Pastry bake
- Pizza bake
- Rapid proof
- Roast
- Slow cook
- True convection
- Warm

Oven features

- Pyrolytic self-clean

Oven performance

- Main oven - Bake power 4600W
- Main oven - Broil power 4000W
- Main oven - True convection 2500W
- Secondary oven - Bake power 2450W
- Secondary oven - Broil power 3600W

Power requirements

- Amperage 50A
- Supply frequency 60Hz
- Supply voltage 120 - 240V

Product dimensions

- Depth 29 1/8"
- Height 35 3/4" - 36 3/4"
- Width 47 7/8"

Rangetop features

- 5 Sealed Dual Flow Burners™
- Sealed range top
- 140°F Simmer on all burners
- Flat vent trim included Flat vent trim

Rangetop Performance

- Centre 23,500 BTU
- Max burner power 23,500 BTU
- Power back left 18,500 BTU
- Power back right 18,500 BTU
- Power centre 23,500 BTU
- Power front left 18,500 BTU
- Power front right 18,500 BTU
- Power griddle 24,000 BTU
- Total cooktop power 121,500 BTU

Recommended back guards and ventilation

- Combustible situation BGRV3-3048H
- Non combustible situation BGRV2-3048 / BGRV2-1248
- Recommended hood HCB48-12_N (48" Professional

Safety	
ADA compliant	•
Secondary oven features	
3/4 Extension racks	2
Capacity total (AHAM)	2.1 cu ft
Capacity usable (AHAM)	1.8 cu ft
Concealed element	•
Electronic oven control	•
Food probe	•
Internal light	•
Shelf positions	5
Secondary oven functions	
Air fry	•
Bake	•
Classic bake	•
Convection bake	•
Convection broil	•
Maxi broil	•
Number of secondary oven	11
Pastry bake	•
Pizza bake	•
Rapid proof	•
Roast	•
Warm	•

Parts and labour	2 years
SKU	81894

TEST The product dimensions and specifications in this page apply to the specific product and model. Under our policy of continuous improvement, these dimensions and specifications may change at any time. You should therefore check with Fisher & Paykel's Customer Care Centre to ensure this page correctly describes the model currently available. ? Fisher & Paykel Appliances Ltd 2020

Other product downloads available at fisherpaykel.com

- [↓](#) User Guide
- [↓](#) Guide D'Utilisation
- [↓](#) Service & Warranty Booklet
- [↓](#) Installation Guide
- [↓](#) Guide D'Installation
- [↓](#) Resources (zip)



A PEACE OF MIND SALE
 24 Hours 7 Days a Week Customer Support
 T 1.888.936.7872 W www.fisherpaykel.com

Warranty