

# Dual Fuel Range, 30", 4 Burners, Self-cleaning, LPG

Series 9 | Professional

Stainless Steel | LPG

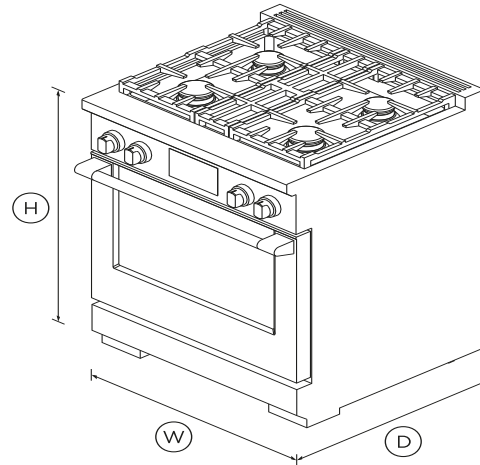


Get the best of gas and convection technology in this striking range with intuitive touchscreen and specialized cooking functions.

- Guided cooking using your touchscreen makes it simple to cook by food, function or recipe.
- Top burner heat of 19,000 BTU, for seriously fast boiling
- 4 cu ft total oven capacity
- Beautiful LED halo-illuminated dials provide information at a glance

## DIMENSIONS

Height	35 <sup>3</sup> / <sub>4</sub> - 36 <sup>3</sup> / <sub>4</sub> "
Width	29 <sup>7</sup> / <sub>8</sub> "
Depth	29 <sup>1</sup> / <sub>8</sub> "



## FEATURES & BENEFITS

### Cook with confidence

Our touchscreen interface provides an intuitive guided cooking experience that helps deliver perfect results, whether you've been cooking all your life or just starting out. Cook with a favorite method, a hero ingredient, or a go-to cooking function or recipe. The screen tilts for improved ergonomics and optimal visibility while cooking.

### Generous capacity

Featuring a generous total capacity of 4 cu ft, with enough room

to fit a 26 lb turkey, or to cook several dishes at once.

### Cooking flexibility

No matter what you're cooking, you've got the right heat to get perfect results. Each of the 15 oven functions have been extensively researched and carefully designed to cater to a broad range of dishes and cooking styles. The handy food probe helps you monitor your progress.

### Cooktop power

Sealed dual flow burners deliver cooktop power up to 19,000 BTU for seriously fast boiling, and precise 140°F full surface, low temperature cooking with the gentlest of flames.

### Design quality

This range has craftsmanship in every detail, with real stainless steel, cast-iron trivets, and beautifully weighted, halo illuminated dials. Each cavity features incandescent lights and full extension telescopic racks. From the robust legs to the powerful cooktop, this Range is built to last.

### Easy to clean

The oven features a self-cleaning function and self-clean proof side racks, which don't need to be removed when using this function.

## SPECIFICATIONS

### Accessories

Adjustable feet covers	•
Branded coin end cap	•
Square handle option	<b>AH-R30</b>

### Capacity

Shelf positions	<b>5</b>
Total capacity	<b>4 cu ft</b>
Usable capacity	<b>3.3 cu ft</b>

<b>Cleaning</b>	
Easy clean porcelain basepan	•
Pyrolytic self-clean	•
<b>Controls</b>	
Dial with illuminated halo	•
High resolution display	•
Metal illuminated dials	•
Multi-language interface	•
Sabbath mode	•
Titanium coated, illuminated	•
Wifi connectivity	•
<b>Gas requirements</b>	
Fitting and pipe	½ NPT, min. 5/8" Ø flex line
Supply Pressure (LPG)	11" to 14" W.C
<b>Main oven functions</b>	
Convection broil	•
<b>Oven features</b>	
Broil pan	•
Concealed element	•
Electronic oven control	•
Food probe	•
Full extension telescopic	2
Internal light	•
Pyrolytic self-clean	•
Self-cleaning	•

True convection	•
<b>Oven functions</b>	
Air fry	•
Bake	•
Classic bake	•
Clean	•
Convection Broil	•
Convection bake	•
Dehydrate	•
Maxi Broil	•
Number of functions	15
Pastry Bake	•
Pizza bake	•
Rapid proof	•
Roast	•
Slow cook	•
True convection	•
Warm	•
<b>Oven performance</b>	
Bake power	3500W
Broil power	4000W
Main oven - True convection	2500W
<b>Power requirements</b>	
Amperage	30A
Supply frequency	60Hz
Supply voltage	120 - 240V

**Product dimensions**

Depth	29 1/8"
Height	35 3/4" - 36 3/4"
Width	29 7/8"

**Rangetop features**

Sealed Dual Flow Burners™	4
Simmer on all burners	140°F
Vent trim included	Flat vent trim

**Rangetop Performance**

Max burner power	19000 BTU
Power back left	13000 BTU
Power back right	13000 BTU
Power front left	19000 BTU
Power front right	15000 BTU
Total cooktop power	60000 BTU

**Recommended back guards and ventilation**

Combustible situation	BGRV3-3030H
Non combustible situation	BGRV2-3030 / BGRV2-1230
Recommended hood	HCB30-6_N (Professional)

**Safety**

ADA compliant	•
Full extension telescopic	•

**Warranty**

Parts and labour	Limited 2 years
------------------	-----------------

SKU

81901

TEST The product dimensions and specifications in this page apply to the specific product and model. Under our policy of continuous improvement, these dimensions and specifications may change at any time. You should therefore check with Fisher & Paykel's Customer Care Centre to ensure this page correctly describes the model currently available. ? Fisher & Paykel Appliances Ltd 2020

---

**Other product downloads available at fisherpaykel.com**[User Guide](#)[Guide D'Utilisation](#)[Service & Warranty Booklet](#)[Installation Guide](#)[Guide D'Installation](#)[Resources \(zip\)](#)**A PEACE OF MIND SALE****24 Hours 7 Days a Week Customer Support****T 1.888.936.7872 W [www.fisherpaykel.com](http://www.fisherpaykel.com)**