

# Combination Steam Oven, 24", 9 Function

Series 9 | Contemporary

Stainless Steel

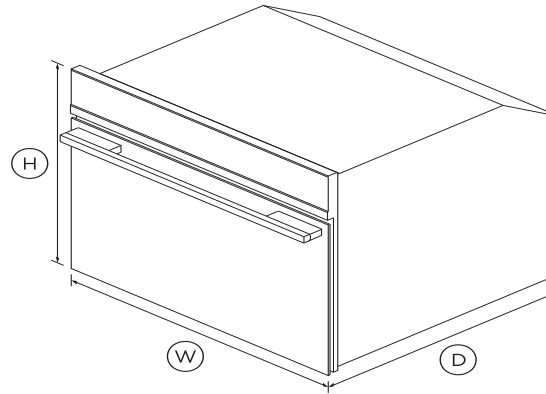


Reduce the need for oils and fats with steam cooking. Its compact size makes this perfect to pair with a warming drawer underneath.

- 1.3 cu ft total capacity
- Cooking flexibility with nine oven functions, including five Steam functions, Broil and Convection
- Steam cooking allows you to cook a food in its own juices, to retain nutrients and flavour
- Designed to match aesthetically with companion products such as warming drawers, for flexible cooking configurations

## DIMENSIONS

Height	18 <sup>1</sup> / <sub>16</sub> "
Width	23 <sup>7</sup> / <sub>16</sub> "
Depth	22 <sup>1</sup> / <sub>8</sub> "



## FEATURES & BENEFITS

### Sized to suit

This compact 24" Steam Oven can be placed almost anywhere. All Companion products can be installed at a convenient height to suit your kitchen design and preference.

### Simple to use

An easy to use, intuitive display shows the time and provides useful information about functions along with a refill alert.

### Easy cleaning

Cleaning and care of the Steam Oven is simple. After each use, just wipe the smooth stainless steel interior with a dry cloth.

### Safe & sound

The CoolTouch door is safe to touch from the outside, protecting your hands and the surrounding cabinetry.

### Easy installation

Plug in and cook straight away. The Steam Oven is easy to install, with no plumbing needed.

### Healthy eating

The Steam Oven allows you to cook food in its own juices to retain nutrients and flavor. With nine oven modes, it doesn't just steam, but also has Broil and Fan functions.

## SPECIFICATIONS

### Accessories

Baking pan	•
Food probe	•
Meat probe	•
Optional lower trim kit	<b>Part 81662</b>
Perforated tray and lid	•
Wire shelf	•

### Capacity

Shelf positions	<b>3</b>
Total capacity	<b>1.3cu ft</b>

### Cleaning

Easy clean stainless steel	•
Easy to clean formed side	•
Removable water tank	•

**Controls**

Audio feedback	•
Automatic cooking/minute	•
Celsius/Fahrenheit	•
High resolution touch display	•
Interior light	<b>25W halogen</b>
Intuitive information display	•
Multi-language interface	•
Precise electronic temperature	•

**Functions**

Broil	•
Convection Broil	•
Number of functions	<b>9</b>
Ring + broil	•
Steam + ring	•
Steam 100	•
Steam 130	•
Steam assist	•
Steam clean (oven)	•

**Performance**

Broil power	•
Fan Element Power	<b>1500W</b>
Grill power	<b>1500W</b>
Steam generator	<b>1800W</b>

**Power requirements**

Amperage	<b>15A</b>
----------	------------

Supply frequency	<b>60Hz</b>
Supply voltage	<b>208V</b>

**Product dimensions**

Depth	<b>22 1/8 "</b>
Height	<b>18 1/16 "</b>
Width	<b>23 7/16 "</b>

**Safety**

Control panel key lock	•
CoolTouch door	•

SKU	<b>81230</b>
-----	--------------

TEST The product dimensions and specifications in this page apply to the specific product and model. Under our policy of continuous improvement, these dimensions and specifications may change at any time. You should therefore check with Fisher & Paykel's Customer Care Centre to ensure this page correctly describes the model currently available. ? Fisher & Paykel Appliances Ltd 2020

**Other product downloads available at fisherpaykel.com**

- [↓](#) User Guide
- [↓](#) Service & Warranty Booklet
- [↓](#) Installation Guide
- [↓](#) Installation Guide (Cavity Trim Kit)
- [↓](#) Resources (zip)

**A PEACE OF MIND SALE****24 Hours 7 Days a Week Customer Support****T 1.888.936.7872 Wwww.fisherpaykel.com**