

Dual Fuel Range, 30", 4 Burners, Self-cleaning

Series 9 | Classic

Stainless Steel

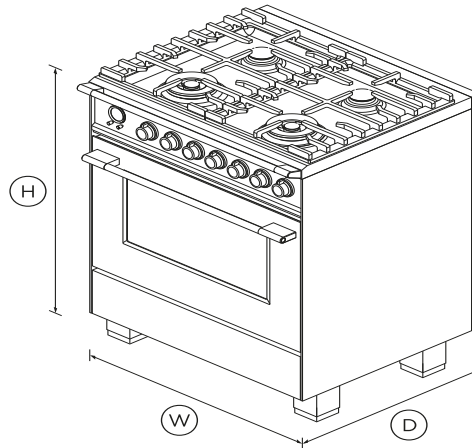


Get the best of both worlds with dual fuel. A gas cooktop with wok burner is paired with a convection oven with 9 functions.

- Four burner gas cooktop with two dual wok burners
- Convection oven with 3.5 cu.ft total capacity and nine oven functions including Roast, Aero Pastry™ with pizza mode and rapid proof for baking bread
- Non-tip full-extension shelves for safe removal of hot dishes
- High-temperature self-cleaning function breaks down food residue for an easy clean

DIMENSIONS

Height	35 ³ / ₄ - 37 ⁵ / ₈ "
Width	29 ⁷ / ₈ "
Depth	25 ¹ / ₄ "



FEATURES & BENEFITS

Multi-shelf cooking

Our AeroTech™ system circulates air evenly throughout the entire oven so dishes on the top shelf turn out just as perfect as food cooking on the bottom shelf.

Quality and durability

Every detail has been carefully crafted. The solid, perfectly balanced soft-close door, durable cooktop trivets and glowing halo dials all add up to an exceptional, premium range.

Easy to clean

Cleaning up spills is effortless. Your cooktop simply needs a quick wipe to keep it looking good as new. The self-clean function breaks down food residue at a very high temperature, leaving a light ash that's easily removed with a damp cloth.

Burner power & control

Instant and immediate control from the highest to the gentlest heat. The finely tuned cooktop controls let you sear, stir fry or simmer a delicate sauce to perfection.

Large capacity oven

The generous 3.5 cu.ft total capacity oven gives you plenty of space to cook multiple dishes at once, with enough room to fit a 26 lb turkey.

Even heat

Accurate, electronically-controlled oven heat ensures a great result every time.

SPECIFICATIONS

Accessories

2-pc grill system (Broil pan and	•
Broil pan	•
Hob rear trim (optional)	3 1/8" (part 84656)
Kick strip, stainless steel	Part 81660
Small pot support	1 (part 533981 cast)
Wok stand	1 (part 534678)

Capacity

Total capacity	3.5 cu ft
----------------	-----------

Cleaning

Acid resistant graphite enamel	•
Drop down grill element	•

- Flat easy clean glass surface •
- Pyrolytic proof shelf runners •
- Pyrolytic self-clean •
- Removable oven door •
- Removable shelf runners •

Controls

- Audio feedback •
- Automatic cooking/minute •
- Automatic pre-set •
- Bright chromed, cast zinc dials •
- Celsius/Fahrenheit •
- Electronic clock •
- High resolution display •
- Interior light •
- Laser etched graphics •
- Precise electronic temperature •
- Sabbath mode •
- Turned stainless steel clock •

Gas requirements

- Supply Pressure (LPG) 11" W.C.P
- Supply Pressure (natural gas) 4" W.C.P

Main oven functions

- Number of main oven 9

Oven features

- AeroTech™ technology •

- Automatic rapid pre-heat •
- Concealed element •
- Electronic oven control •
- Full extension telescopic 2 sets (part 578776)
- Internal light 2 x 25W halogen (rear)
- Pyrolytic proof shelf runners •
- Pyrolytic self-clean •
- Self-cleaning •
- Soft open/close door •
- True convection •

Oven functions

- Aero Bake •
- Aero™ Pastry with Pizza mode •
- Maxi Broil •
- Number of functions 9
- Rapid proof •
- Roast •

Oven performance

- Combined warming/Storage 220W
- CoolTouch door Triple glazed
- Warming drawer power 220W

Power requirements

- Amperage 30A
- Supply frequency 60Hz
- Supply voltage 208 - 240V

Product dimensions

- Depth 25 1/4"
- Height 35 3/4 - 37 5/8"
- Installation cutout dimensions 25 1/4"
- Installation cutout dimensions 30"
- Width 29 7/8"

Rangetop features

- Brass burner spreader (power) •
- Dishwasher safe trivets •
- Embossed brass burner cap •
- Hob rail •
- LPG/Natural gas compatible •
- Sealed range top •

Rangetop Performance

- Dual wok burner inner/outer 18000BTU
- Dual wok burner inner/outer 18000BTU
- Max burner power 18000BTU
- Number of burner elements 4
- Semi-rapid burner (LPG) x2 1500 - 8000BTU
- Semi-rapid burner (natural) 1500 - 8000BTU
- Total cooktop power 52000BTU

Safety

- Advanced cooling system •
- Anti-tilt bracket •
- Balanced oven door •
- Catalytic venting system •
- Full extension telescopic •
- Non-tip shelves •

Spill containment **1/2 gallon**

Warranty

Parts and labor **2 years**

SKU **81717**

TEST The product dimensions and specifications in this page apply to the specific product and model. Under our policy of continuous improvement, these dimensions and specifications may change at any time. You should therefore check with Fisher & Paykel's Customer Care Centre to ensure this page correctly describes the model currently available. ? Fisher & Paykel Appliances Ltd 2020

Other product downloads available at fisherpaykel.com

- [↓](#) User Guide
- [↓](#) Service & Warranty Booklet
- [↓](#) Guide D'Utilisation
- [↓](#) Installation Guide
- [↓](#) Resources (zip)

**A PEACE OF MIND SALE****24 Hours 7 Days a Week Customer Support****T 1.888.936.7872 W www.fisherpaykel.com**