

# Convection Speed Oven 24"

Series 9 | Contemporary

Stainless Steel

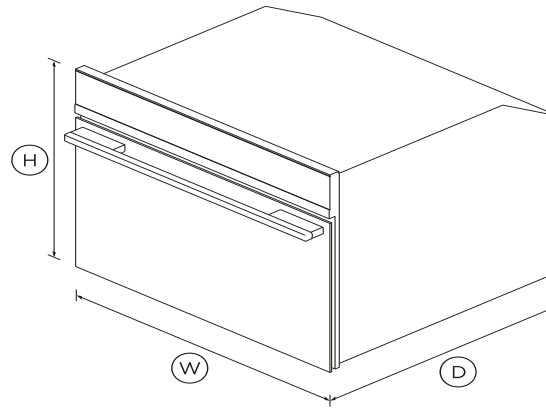


The perfect addition to the kitchen, this Convection Speed Oven provides a variety of fast cooking options including True Convection and Broil.

- 1.3 cu ft total capacity
- Intuitive display with nine oven functions
- Full width grill function
- Easy clean interior

## DIMENSIONS

Height	18 1/16 "
Width	23 1/2 "
Depth	22 1/8 "



## FEATURES & BENEFITS

### Sized to suit

This compact 24" Convection Speed Oven can be placed almost anywhere. Companion products share the same dimensions and can be installed in multiple configurations to suit your kitchen design and preference.

### Cooking flexibility

Choose from nine cooking modes including True Convection and Broil. With both microwave and convection oven technology in the same oven, you have more flexibility for your culinary creations.

### Easy to use

The intuitive touch display shows you all the information you

need, allowing you to easily program in your desired cooking mode and duration.

### Beauty of choice

With the choice of a stylish stainless steel or elegant black trim, our Companion products help you achieve a coherent kitchen aesthetic that suits your design style.

### Easy cleaning

This Convection Speed Oven has formed side racks and a stainless steel interior that are easy to clean.

### Safe and sound

The CoolTouch door is safe to touch from the outside, protecting your hands and the surrounding cabinetry.

## SPECIFICATIONS

### Accessories

Baking pan	•
Contemporary round handle	Part 81671
Glass turntable	•
Optional 30" trim kit	Part 81226
Optional lower trim kit	Part 81662
Turntable wire stand	•
Wire shelf	•

### Capacity

Shelf positions	3
Total capacity	1.3 cu ft
Usable capacity	1.2 cu ft

### Cleaning

Easy clean stainless steel	•
Easy to clean formed side	•

**Consumption**

Microwave energy	1.65kWh
------------------	---------

**Controls**

Audio feedback	•
Automatic cooking/minute	•
Celsius/Fahrenheit	•
Electronic capacitive touch	•
High resolution touch display	•
Interior light	25W halogen
Intuitive information display	•
Multi-language interface	•
Precise electronic temperature	•
Recipe and food based	•

**Functions**

Broil	•
Convection Broil	•
Defrost by time	•
Defrost by weight	•
Microwave + broil	•
Microwave + ring	•
Microwave cooking	•
Number of functions	9
Ring + broil	•
True convection	•

**Performance**

Broil power	1500W
Fan Element Power	1500W
Microwave power	900W
Microwave power levels	6

**Power requirements**

Amperage	15A
Supply frequency	60Hz
Supply voltage	208 - 240V

**Product dimensions**

Depth	22 1/8 "
Height	18 1/16 "
Width	23 1/2 "

**Safety**

Control panel key lock	•
CoolTouch door	•

SKU	81231
-----	-------

TEST The product dimensions and specifications in this page apply to the specific product and model. Under our policy of continuous improvement, these dimensions and specifications may change at any time. You should therefore check with Fisher & Paykel's Customer Care Centre to ensure this page correctly describes the model currently available. ? Fisher & Paykel Appliances Ltd 2020

**Other product downloads available at fisherpaykel.com**

- [↓](#) User Guide
- [↓](#) Guide D'Utilisation
- [↓](#) Service & Warranty Booklet
- [↓](#) Installation Guide
- [↓](#) Installation Guide (Cavity Trim Kit)
- [↓](#) Resources (zip)

**A PEACE OF MIND SALE****24 Hours 7 Days a Week Customer Support**T 1.888.936.7872 **W**www.fisherpaykel.com