

# Integrated French Door Refrigerator Freezer, 36", Ice

Series 7 | integrated

Panel Ready

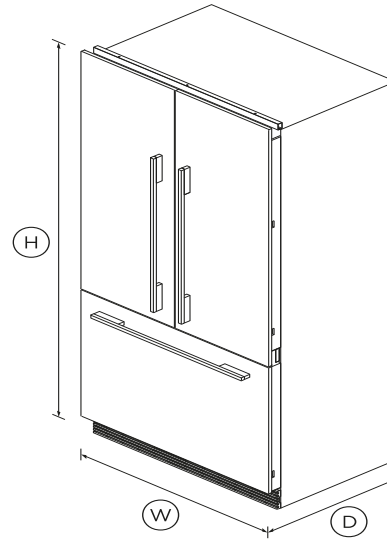


This large capacity refrigerator with bottom freezer seamlessly integrates into your kitchen, fitting flush into your cabinetry.

- ActiveSmart™ technology helps keep food fresher for longer by constantly maintaining the ideal temperature
- Customize with your own kitchen cabinetry or purchase our stainless steel door panel accessory
- Internal ice maker with boost for busy times
- Spacious bottom freezer with full extension drawer gives easy access to frozen goods

## DIMENSIONS

|        |                                    |
|--------|------------------------------------|
| Height | 71 <sup>13</sup> / <sub>16</sub> " |
| Width  | 35 <sup>21</sup> / <sub>32</sub> " |
| Depth  | 23 <sup>3</sup> / <sub>4</sub> "   |



## FEATURES & BENEFITS

### ActiveSmart™ Foodcare

ActiveSmart™ Foodcare learns how you live. It's technology which understands how you use your fridge and adjusts temperature, airflow and humidity inside to help keep food fresher for longer.

### Clever energy

Your refrigerator adapts to daily use by cooling and defrosting only when needed. This means your refrigerator uses the energy it needs without compromising on food care.

### Ice maker

Fresh ice is always available for you in a dedicated freezer bin. Simply turn it off to free up freezer space or during busy times, you can boost ice production by up to 30%.

### Design quality

Our refrigerators are designed and built using quality materials. We use real stainless steel on our refrigerators and solid glass for shelving.

### Easy installation

Our integrated products are easy to install, whether you are renovating your kitchen or designing a new one. Our refrigerators are designed for minimal gaps with adjustable front and rear feet to allow for uneven floors alongside adjustable door panels that can be customized to match your kitchen.

### Easy cleaning

No more permanent dirty marks with our EZKleen feature for stainless steel refrigerators. Anti-fingerprint coating means you simply wipe clean any marks. Spill-safe secure glass shelves easily capture any drips or leaks.

### Simple Storage

This refrigerator is designed to make it simple for you to store, access and remove food. Storage bins give you full access inside when they're pulled open and can be easily removed to clean. Our flexible shelving also gives you more storage options.

## SPECIFICATIONS

### Accessories

|                                 |                              |
|---------------------------------|------------------------------|
| Contemporary round handle kit   | 25374 sold separately        |
| Contemporary square handle      | 24624 (for custom made door) |
| Matching Replacement Water      | Part number 842802           |
| Stainless steel door panel set  | RD3672                       |
| Stainless steel door panel set, | RD3672                       |

| Capacity     |           |
|--------------|-----------|
| Freezer      | 5.1cu ft  |
| Refrigerator | 11.7cu ft |

| Consumption  |             |
|--------------|-------------|
| Energy usage | 561kWh/year |

| Freezer features        |   |
|-------------------------|---|
| Adjustable door shelves | 6 |
| Bottle chill            | • |
| Built-in ice maker      | • |
| Fast freeze             | • |
| Small plastic bins      | 1 |

| Performance             |   |
|-------------------------|---|
| ActiveSmart™ Foodcare   | • |
| ActiveSmart™ technology | • |
| Adaptive defrost        | • |
| Frost free freezer      | • |
| Humidity control system | • |
| Sabbath mode            | • |

| Product dimensions |                                    |
|--------------------|------------------------------------|
| Depth              | 23 <sup>3</sup> / <sub>4</sub> "   |
| Height             | 71 <sup>13</sup> / <sub>16</sub> " |
| Width              | 35 <sup>21</sup> / <sub>32</sub> " |

| Refrigerator features    |   |
|--------------------------|---|
| Adjustable door shelves  | 6 |
| Adjustable glass shelves | 3 |

|                          |   |
|--------------------------|---|
| Cantilevered Shelves     | • |
| Covered door shelves     | 2 |
| Deli storage bins        | 1 |
| Door alarm               | • |
| Fruit and vegetable bins | 2 |
| LED lighting             | • |
| SmartTouch control panel | • |
| Soft close doors         | • |
| Stackable bottle holders | 4 |

| Warranty                 |         |
|--------------------------|---------|
| Parts and labor          | 2 years |
| Sealed system parts only | 5 years |

SKU 25075

The product dimensions and specifications in this page apply to the specific product and model. Under our policy of continuous improvement, these dimensions and specifications may change at any time. You should therefore check with Fisher & Paykel's Customer Care Centre to ensure this page correctly describes the model currently available. © Fisher & Paykel Appliances Ltd 2019.

Other product downloads available at [fisherpaykel.com](http://fisherpaykel.com)



User Guide



Service & Warranty Booklet



Installation Guide



Resources (zip)



**A PEACE OF MIND SALE**

**24 Hours 7 Days a Week Customer Support**

**T 1300 650 590 W [www.fisherpaykel.com](http://www.fisherpaykel.com)**