

Freestanding Refrigerator Freezer, 32", 17.5 cu ft

Series 5 | Contemporary

Stainless Steel | Left Hinge

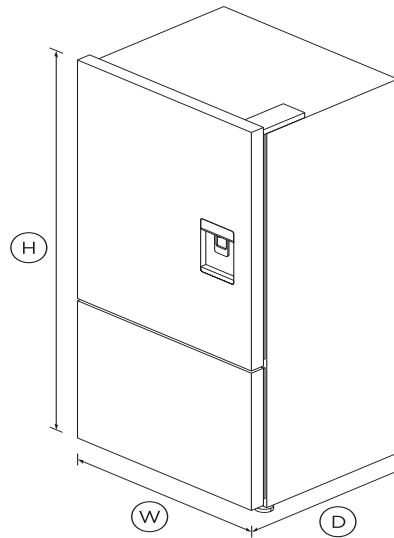


This stylish right hinge refrigerator comes in timeless stainless steel with concealed handles for a more streamlined look.

- ActiveSmart™ technology helps keep food fresher for longer by constantly maintaining the ideal temperature
- Spacious bottom freezer with easy-slide internal drawers to separate storage

DIMENSIONS

Height	67 ³ / ₄ "
Width	31 ¹ / ₈ "
Depth	27 ³ / ₈ "
Total net volume	17.5 cu ft "



FEATURES & BENEFITS

ActiveSmart™ Foodcare

Every time you open your refrigerator, the temperature around your food changes. ActiveSmart™ foodcare adjusts airflow to create a stable temperature, helping your food stay fresher for longer.

Clever energy

Your refrigerator adapts to daily use by cooling and defrosting

only when needed. This means your refrigerator uses the energy it needs without compromising on food care.

Humidity control

Your fruit and veges need different environments. The humidity control slides in each storage bin create a microclimate that helps keep food fresher for longer.

Easy cleaning

No more permanent dirty marks with our EZKleen feature for stainless steel refrigerators. Anti-fingerprint coating means you simply wipe clean any marks. Spill-safe secure glass shelves easily capture any drips or leaks.

Design quality

Our refrigerators are designed and built using quality materials. We use real stainless steel on our refrigerators and solid glass for shelving.

SPECIFICATIONS

Capacity

Freezer	5.2 cu ft
Refrigerator	12.3 cu ft
Total	17.5cu ft
Total net volume	17.5 cu ft"

Consumption

Energy star certified	Yes
Energy usage	454kWh/year

Freezer features

Bottle chill	•
Door alarm	•
Fast freeze	•

Freezer bins	2
Frost free freezer	•
Ice tray	2
Large plastic bin	•
Large plastic bins	•
Slide Out Pastry Tray	•

Performance

ActiveSmart™ Foodcare	•
ActiveSmart™ technology	•
Adaptive defrost	•
Frost free freezer	•
Inverter controlled compressor	•
Sabbath mode	•

Product dimensions

Depth	27 ³ / ₈ "
Depth (Excluding handles)	27 - ³ / ₈ "
Height	67 ³ / ₄ "
Height to top of cabinet	67 - ³ / ₄ "
Minimum air clearance - at rear	1 - ³ / ₁₆ "
Minimum air clearance - each	¹³ / ₁₆ "
Minimum air clearance - on top	2 "
Width	31 ¹ / ₈ "

Refrigerator features

Adjustable door shelves	4
Adjustable glass shelves	4
Covered door shelves	2
Door alarm	•

Front levelling feet	•
Fruit and vegetable bins	2
Full extension runners	•
Full width door shelves	2
Humidity control crispers	•
LED lighting	•
Rear rollers	•
SmartTouch control panel	•
Stackable bottle holders	2






Warranty

Parts and labor	2 years
Sealed system parts only	5 years

SKU 25101

The product dimensions and specifications in this page apply to the specific product and model. Under our policy of continuous improvement, these dimensions and specifications may change at any time. You should therefore check with Fisher & Paykel's Customer Care Centre to ensure this page correctly describes the model currently available. © Fisher & Paykel Appliances Ltd 2019.

Other product downloads available at fisherpaykel.com

-  [User Guide](#)
-  [Service & Warranty Booklet](#)
-  [Installation Guide](#)
-  [Installation Guide \(Quick Reference\)](#)
-  [Resources \(zip\)](#)



A PEACE OF MIND SALE
24 Hours 7 Days a Week Customer Support
T 1300 650 590 W www.fisherpaykel.com