

# Freestanding Refrigerator Freezer, 32", 17.5 cu ft, Ice & Water

Series 5 | Contemporary

Stainless Steel | Left hinge

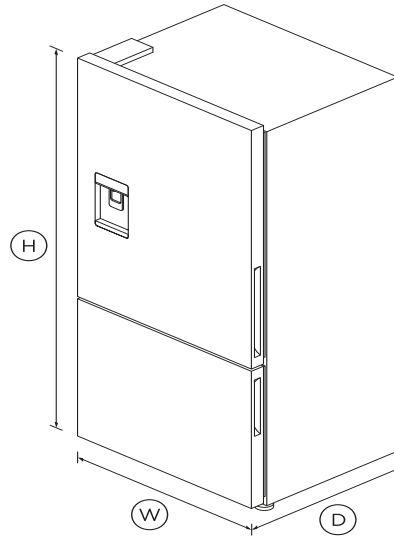


This stylish left hinge refrigerator comes in timeless stainless steel with concealed handles for a more streamlined look.

- ActiveSmart™ technology helps keep food fresher for longer by constantly maintaining the ideal temperature
- Door water dispenser and internal ice maker
- Spacious bottom freezer with easy-slide internal drawers to separate storage

## DIMENSIONS

Height	67 <sup>3</sup> / <sub>4</sub> "
Width	31 <sup>1</sup> / <sub>8</sub> "
Depth	27 <sup>7</sup> / <sub>8</sub> "
Total net volume	17.5 cu ft "



## FEATURES & BENEFITS

### ActiveSmart™ Foodcare

Every time you open your refrigerator, the temperature around your food changes. ActiveSmart™ foodcare adjusts airflow to create a stable temperature, helping your food stay fresher for longer.

### Clever energy

Your refrigerator adapts to daily use by cooling and defrosting

only when needed. This means your refrigerator uses the energy it needs without compromising on food care.

### Humidity control

Your fruit and veges need different environments. Each storage bin creates a microclimate, which helps keep them fresher for longer.

### Easy cleaning

No more permanent dirty marks with our EZKleen feature for stainless steel refrigerators. Anti-fingerprint coating means you simply wipe clean any marks. Spill-safe secure glass shelves easily capture any drips or leaks.

### Ice maker

Fresh ice is always available for you in a dedicated freezer bin. Simply turn it off to free up freezer space or during busy times, you can boost ice production by up to 30%.

### Design quality

Our refrigerators are designed and built using quality materials. We use real stainless steel on our refrigerators and solid glass for shelving.

### Water on tap

The slimline dispenser makes it easy to fill almost any sized jug or vessel with cool filtered water and doesn't take up any storage space in your refrigerator.

## SPECIFICATIONS

### Capacity

Freezer	5.2 cu ft
Refrigerator	12.3 cu ft

### Consumption

Energy usage	538kWh/year
--------------	-------------

**Freezer features**

Bottle chill	•
Built-in ice maker	•
Door alarm	•
Fast freeze	•
Freezer bins	<b>2</b>
Ice Boost	•
Ice bin and scoop	•
Large plastic bin	•
Large plastic bins	•
Slide Out Pastry Tray	•

**Performance**

ActiveSmart™ Foodcare	•
ActiveSmart™ technology	•
Adaptive defrost	•
External water dispenser	•
Frost free	•
Inverter controlled compressor	•
Sabbath mode	•

**Product dimensions**

Depth	<b>27 7/8 "</b>
Height	<b>67 3/4 "</b>
Height to top of cabinet	<b>67 - 3/4 "</b>
Minimum air clearance - at rear	<b>1 - 3/16 "</b>
Minimum air clearance - each	<b>13/16 "</b>
Minimum air clearance - on top	<b>2 "</b>
Width	<b>31 1/8 "</b>

**Refrigerator features**

Adjustable door shelves	<b>4</b>
Adjustable glass shelves	<b>4</b>
Covered door shelves	<b>2</b>
Door alarm	•
Front levelling feet	•
Fruit and vegetable bins	<b>2</b>
Full extension runners	•
Full width door shelves	<b>2</b>
Humidity control crispers	•
LED lighting	•
Rear rollers	•
SmartTouch control panel	•
Spill proof removable bins	•
Stackable bottle holders	<b>2</b>
Ultra slim water dispenser	•

**Warranty**

Parts and labor	<b>2 years</b>
Sealed system parts only	<b>5 years</b>

SKU 25104

The product dimensions and specifications in this page apply to the specific product and model. Under our policy of continuous improvement, these dimensions and specifications may change at any time. You should therefore check with Fisher & Paykel's Customer Care Centre to ensure this page correctly describes the model currently available. Â© Fisher & Paykel Appliances Ltd 2019.

**Other product downloads available at fisherpaykel.com**

- [!\[\]\(5a0d662075632df1b39c9e3427a70093\_img.jpg\) User Guide](#)
- [!\[\]\(b9aaeddcca3b0cfd727d0e19f8b22e6b\_img.jpg\) Service & Warranty Booklet](#)
- [!\[\]\(7985cfc9ac20c5a67d1a49b8edd9370c\_img.jpg\) Installation Guide](#)
- [!\[\]\(c3dc9c5d8504b4ff44583fa2a53f68d3\_img.jpg\) Installation Guide \(Quick Reference\)](#)
- [!\[\]\(dcc90d5dff4daebc8e015e38f89e1f01\_img.jpg\) Resources \(zip\)](#)



**A PEACE OF MIND SALE**

**24 Hours 7 Days a Week Customer Support**

**T 1300 650 590 W www.fisherpaykel.com**