

# Freestanding French Door Refrigerator, 31", 17.5 cu ft, Ice & Water

Series 7 | Contemporary

Black Stainless Steel | French hinge

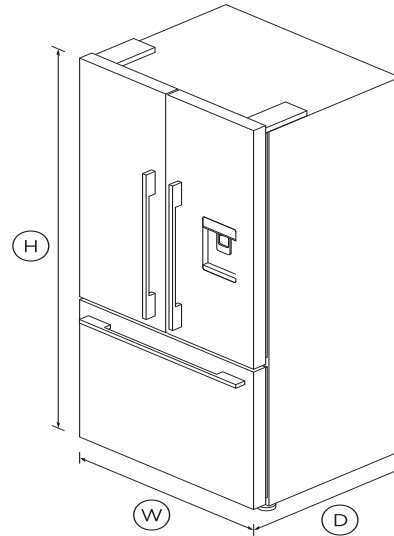


Make a statement in black. With large capacity and flexible storage, water dispenser and ice maker, this model has style and substance.

- ActiveSmart™ technology helps keep food fresher for longer by constantly maintaining the ideal temperature
- Spacious bottom freezer with full extension drawer gives easy access to frozen goods

## DIMENSIONS

Height	67 <sup>33</sup> / <sub>64</sub> "
Width	31 <sup>3</sup> / <sub>32</sub> "
Depth	27 <sup>3</sup> / <sub>8</sub> "



## FEATURES & BENEFITS

### ActiveSmart™ Foodcare

ActiveSmart™ technology understands that the refrigerator door is the most opened in the house. It constantly adjust temperature, airflow and humidity, maintaining an optimum environment and helping keep food fresher for longer.

### Clever energy

Your refrigerator adapts to daily use by cooling and defrosting only when needed. This means your refrigerator uses the energy it needs without compromising on food care.

### Easy to clean

No more dirty marks with our EZKleen feature for stainless steel refrigerators. Anti-fingerprint coating lets you simply wipe clean any finger marks. Spill-safe secure glass shelves easily capture any drips or leaks.

### <<Missing Feature Title>>

Our refrigerators are designed and built using robust, quality materials, with stainless steel exteriors and solid glass for the interior shelving.

### Humidity control

Your fruit and veges need different environments. The humidity control slides in each storage bin create a microclimate that helps keep food fresher for longer.

### Ice maker

The internal ice maker delivers fresh ice to a dedicated freezer bin. Simply turn it off to free up freezer space or during busy times boost ice production by up to 30%.

### Ultra slim water dispenser

The slimline water dispenser is easy to use. The angled water delivery means that almost any size or shape of vessel can be filled, while taking up no storage space in your refrigerator door.

## SPECIFICATIONS

### Accessories

Contemporary round handle kit	25376
Matching Replacement Water	847200

### Capacity

Freezer	4.8cu ft
Refrigerator	12.1cu ft
Total gross capacity	16.9cu ft

**Consumption**

Energy usage **585kWh/year**

**Freezer features**

- Automatic ice maker •
- Bottle chill •
- Door alarm •
- Fast freeze •
- Ice Boost •
- Ice bin and scoop •
- LED lighting •
- Large plastic bin •
- Small plastic bins **2**

**Performance**

- ActiveSmart™ technology •
- Adaptive defrost •
- Frost free freezer •
- Humidity control system •
- Inverter controlled compressor •
- Sabbath mode •

**Product dimensions**

Depth **27 <sup>3</sup>/<sub>8</sub> "**  
 Height **67 <sup>33</sup>/<sub>64</sub> "**  
 Width **31 <sup>3</sup>/<sub>32</sub> "**

**Refrigerator features**

Adjustable door shelves **6**  
 Adjustable glass shelves **3**

Covered door shelves **2**  
 Deli storage bins **2**  
 Door alarm •  
 Fruit and vegetable bins **2**  
 LED lighting •  
 SmartTouch control panel •  
 Soft close doors •  
 Stackable bottle holders **4**  
 Ultra slim water dispenser •

**Warranty**


Parts and labor **2 years**  
 Sealed system parts only **5 years**

SKU **25606**

The product dimensions and specifications in this page apply to the specific product and model. Under our policy of continuous improvement, these dimensions and specifications may change at any time. You should therefore check with Fisher & Paykel's Customer Care Centre to ensure this page correctly describes the model currently available. © Fisher & Paykel Appliances Ltd 2019.

**Other product downloads available at fisherpaykel.com**

 [User Guide](#)

 [Service & Warranty Booklet](#)

 [Installation Guide](#)



**A PEACE OF MIND SALE**

**24 Hours 7 Days a Week Customer Support**

**T 1300 650 590 W www.fisherpaykel.com**