

# INSTALLATION INSTRUCTIONS



## Refrigerator Surround Kit

RF135B, RF170B, RF170W, RF170A and RF201A models

US CA

### IMPORTANT!

#### SAVE THESE INSTRUCTIONS

The models shown in this document may not be available in all markets and are subject to change at any time. For current details about model and specification availability in your country, please go to our website [www.fisherpaykel.com](http://www.fisherpaykel.com) or contact your local Fisher & Paykel dealer.

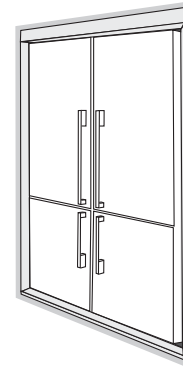
## 1 REFRIGERATOR SURROUND KIT

This kit is designed to be used with models with a refrigerator height of between: 66 3/4 - 71 1/8" (1695 - 1806mm) with curved or flat door styling. You can find the part number for each installation in Section 2.

To give the most integrated look, the kitchen cabinetry should be flush with the front of the refrigerator door.

#### Tools required (not included)

- No. 2 drill bit - long.
- Electric drill.
- Phillips screwdriver.
- 1 x 5/8" (16mm) piece of MDF the same size as the base of the cavity (optional). Not needed if refrigerator is sitting directly on the floor and not on raised toe kick area.
- Joiner kit (part number 819264) required if joining two refrigerators side by side.

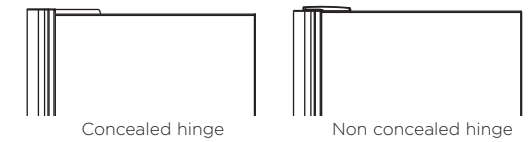


## 3 BEFORE INSTALLATION

All dimensions are internal or cavity dimensions.

The refrigerator can be installed:

- 1 In a cavity with 5/8" (16mm) panel (bottom trim attached), or in a cavity where the product is at floor level (no bottom trim). (Diagram 1a).
- 2 In a cavity with a toe kick under the product with the bottom trim fitted to the base (Diagram 1b).
- 3 Check whether your fridge has hinges concealed by the front of the fridge door. For refrigerators/freezers where the hinge is not concealed by the door refer to spare parts for the correct kit number. 820413 D should list non concealed number kit.



## 4 GETTING STARTED

- 1 Check that the internal cabinetry dimensions are correct (see Diagram 1a/b).
- 2 Unpack the refrigerator as per instructions on carton.

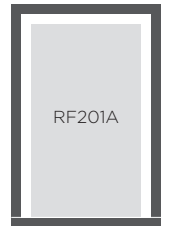
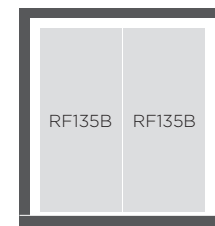
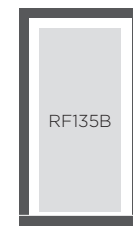
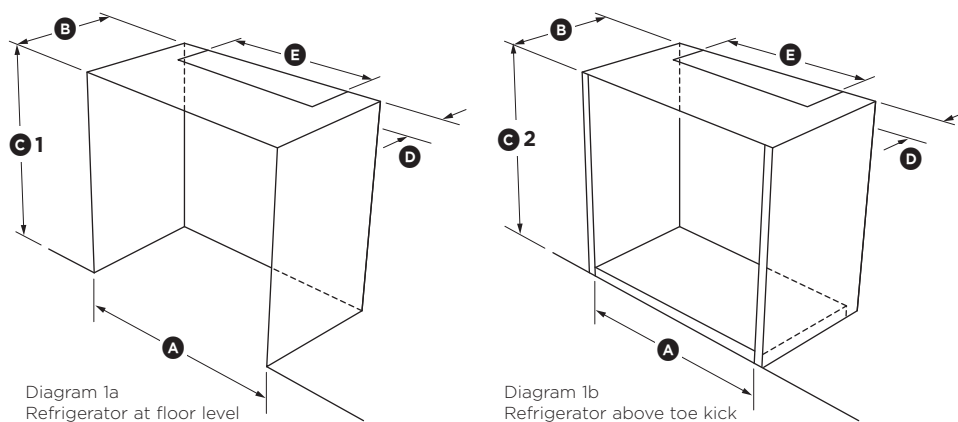
### IMPORTANT!

- Due to the size of the refrigerator(s), it is essential that assembly of the surround kit be undertaken with a minimum of two able-bodied persons.
- It is important to include adequate venting to the top of the refrigerator, to ensure efficient operation.
- The installation of the refrigerator(s) can be at floor level as shown in Diagram 1a or installed above the toe kick board as in Diagram 1b.
- Rollers and feet must be fitted.
- Refrigerators installed above the toe kit should have a floor base constructed to support the total weight of the loaded refrigerator(s) placed on it.

The placement of the 5/8" (16mm) MDF or plywood under the refrigerator(s) on either installation type is to allow the fitment of the bottom trim that covers it. It is optional.

## 2 KIT PART NUMBERS AND CAVITY DIMENSIONS TABLE

Diagram 1



REFRIGERATOR MODEL	1 X RF135B		2 X RF135B		1 X RF170W 1 X RF170B		2 X RF170W 2 X RF170B		1 X RF170A (French door model)		1 X RF201A (French door model)	
CAVITY DIMENSIONS (Flush to edge of door)	inches (mm)		inches (mm)		inches (mm)		inches (mm)		inches (mm)		inches (mm)	
(A) Width	31 13/16" (807)		57 3/4" (1467)		37 7/8" (962)		70" (1777)		37 7/8" (962)		42 1/4" (1072)	
(B) Depth*	27 9/16" (700)		27 9/16" (700)		27 9/16" (700)		27 9/16" (700)		27 9/16" (700)		27 9/16" (700)	
(C1) Height**	70 1/2" (1790)		70 1/2" (1790)		70 1/2" (1790)		70 1/2" (1790)		70 1/2" (1790)		73 13/16" (1875)	
(C2) Height***	71 1/8" (1806)		71 1/8" (1806)		71 1/8" (1806)		71 1/8" (1806)		71 1/8" (1806)		74 1/2" (1891)	
(D) Air vent depth	8" (200)		8" (200)		8" (200)		8" (200)		8" (200)		8" (200)	
(E) Air vent width	19 13/16" (502)		45 3/4" (1162)		25 7/8" (657)		58" (1472)		25 7/8" (657)		30 1/4" (767)	
KIT PART NUMBERS	LH		RH		LH		RH		LH		RH	
Brushed Stainless	24468		24469		24474		24475		24476		24477	
Plus Joiner Kit			819264				819264				819264	

\* Depth is a minimum requirement.

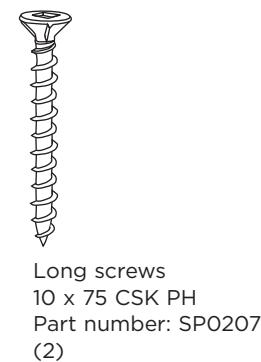
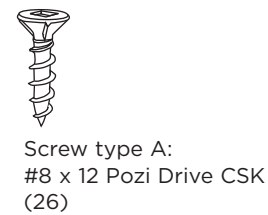
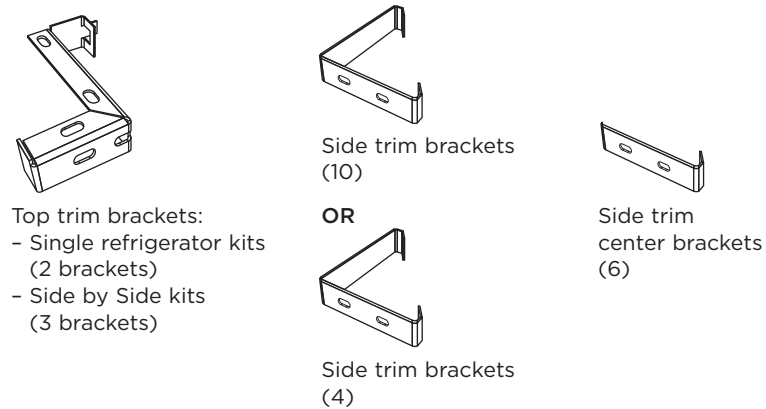
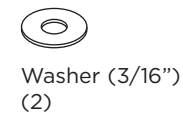
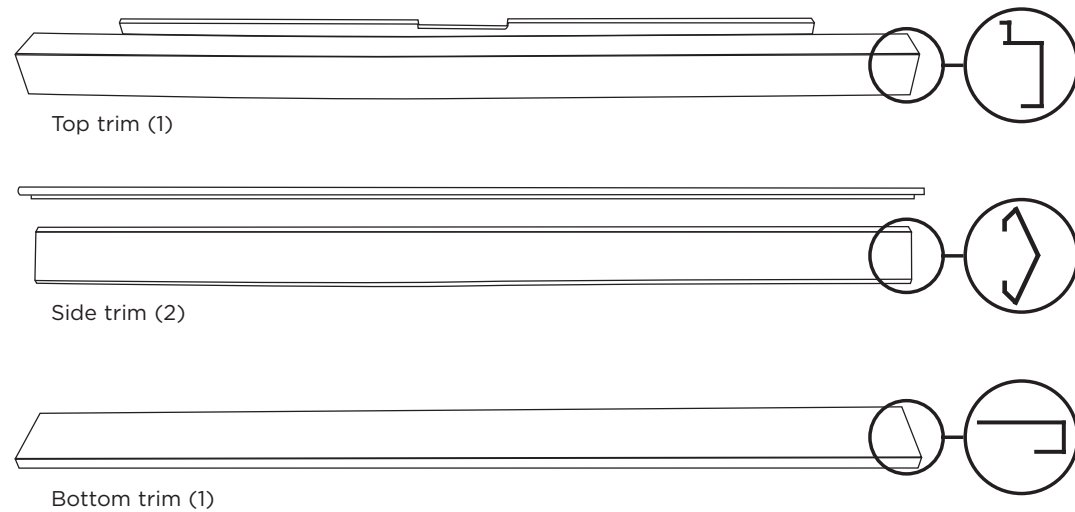
\*\* Height is without 5/8" (16mm) MDF packer.

\*\*\* Height is with 5/8" (16mm) MDF packer.

Cavity dimensions above are to be used as **minimum** dimensions.

continued >

## 5 PARTS SUPPLIED



## 6 SECURE TOP TRIM BRACKETS

- Locate the two/three top trim brackets.
- For the side by side refrigerator kits, one bracket is to be screwed in the top center of the cabinetry, secure the top bracket with two of the screws (Type A, #8 x 12 Pozi Drive CSK) (see Diagram 2a).
- For all other kits, the two brackets are to be secured on either side, by two screws which are mounted from the side (see Diagram 2b).
- Looking at the front of the refrigerator, place the top brackets on top of the wooden cabinetry.
- Care must be taken to line up the top front edge of the brackets with the leading edge of the cabinetry.

Hint: holes should be drilled in the center of the slot in the brackets to allow for adjustment.

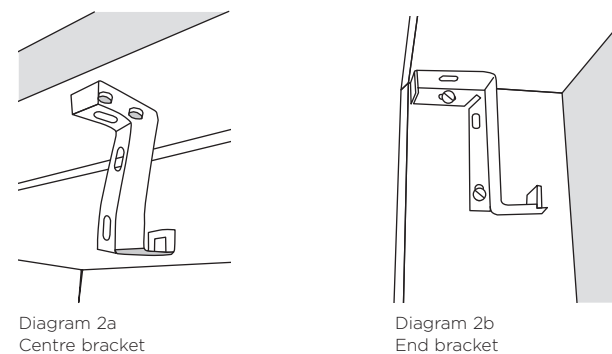


Diagram 2

## 7 SECURE SIDE TRIM BRACKETS

- Locate the ten side trim brackets.
- Position five brackets to the left hand side of the cabinetry and the remaining five brackets to the right hand side of the cabinetry.
- Brackets should be evenly spaced down each side (see Diagram 3a/b). Secure each of these brackets with the two screws provided.
- Care must be taken to line up the front edge of the brackets with the leading edges of the cabinetry.

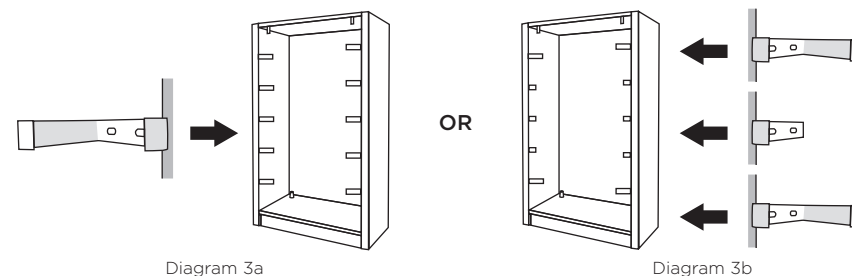
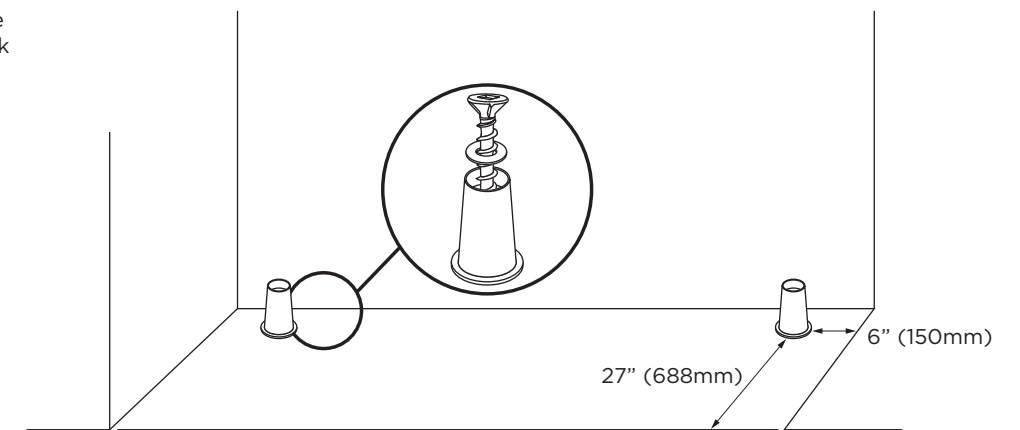


Diagram 3a

Diagram 3b

## 8 SECURE FLOOR STOPS

Two floor stops are supplied to prevent the refrigerator from being pushed too far back into the cavity. These are mounted on the base or floor at a distance of 27" (688mm) from the face front edge of the trim kit.



## 9 TRIM INSTALLATION

The bottom trim is designed to cover the front edge of the floor base panel of the refrigerator. This trim can be installed on a raised toe kick (Diagram 1a) or toe kick below the refrigerator (Diagram 1b).

Remembering that if this trim is to be used with the refrigerator at floor level the cavity dimensions will need to have 5/8" (16mm) added to its height to allow for the bottom trim to be fitted. Note this trim is optional on this type of installation. If used with a raised toe kick the 5/8" (16mm) packer should be part of the base (Diagram 5). Therefore 5/8" (16mm) is not required to be added to the height dimension.

- 1 If used place the 5/8" (16mm) piece of plywood or with bottom trim fitted into the cavity (Diagram 5 or 6). Note: the piece should be the same size as the base of the cavity.
- 2 Remove protective coating film from surround trim.
- 3 To install the surrounds, first clip in the top surround. Ensure the locator strips at the rear of the top brackets clip into the rear of the top trim.
- 4 Clip both side trims into place starting from the front refrigerator edge.

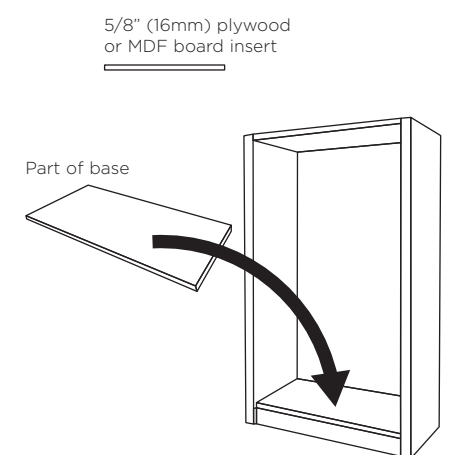


Diagram 5

## 10 MOVE INTO CAVITY

If installing two refrigerators/freezers side by side a joiner kit is required. Refer to these instructions and fit joiner kit before pushing refrigerator into place, see Diagram 6.

- 1 Plug refrigerator into electrical socket, run water connection to refrigerator if required (Ice & Water models only).
- 2 Gently install refrigerator into cabinetry making sure it is centered within the surround trim.
- 3 The front of the refrigerator door should be flush with the front of the cabinetry to obtain an integrated look.
- 4 Ensure the front leveling feet are adjusted to take the load of the fridge and keep it in place.

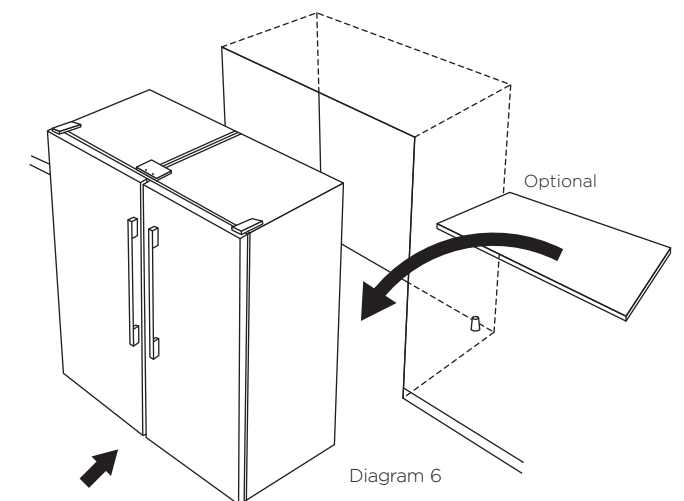


Diagram 6

## 11 FURTHER INFORMATION

**Before you call for service or assistance ...**

Check the things you can do yourself. Refer to the Installation Instructions and your User Guide. Check that:

- 1 Your product is correctly installed.
- 2 You are familiar with its normal operation.
- 3 You have read the 'Troubleshooting' section at the back of the User Guide.

If after checking these points you still need assistance or parts, please contact your Fisher & Paykel trained and supported service technician, Customer Care Centre, or contact us through our website [www.fisherpaykel.com](http://www.fisherpaykel.com)