

INCA LUX INSERT RANGE HOOD



A NEW STUNNING OPTION IN INSERT VENTILATION. The new Inca Lux by Faber features a sleek stainless panel which hides the grease filters behind it and reduces noise. With this advanced Perimetric filter system, the hood doesn't have to work as hard to get the job done. With advanced electronic controls, an optional remote control and two level lights, the Inca Lux packs a lot of features in small body that fits into 12" deep cabinets.



AVAILABLE MODELS

Model #	Size / Color	Motor Class (CFM)	Sound Levels (sones)
INLX21SS600-B	21 Stainless	600 CFM	2.8 - 7.5 sones
INLX28SS600-B	28 Stainless	600 CFM	2.8 - 7.5 sones

KEY FEATURES



Backlit electronic controls

Backlit electronic controls with a White LED light to indicate the current speed and two level lighting



Perimetric Filter System

Stainless panel increases efficiency and decreases noise levels



Remote Control (optional)

Control all features of the hood from the convenience of a wireless remote control (sold separately)



Easy Snap Mounting Clips

Installation is easy with built-in adjustable clips that tighten onto the sides of the cabinet floor

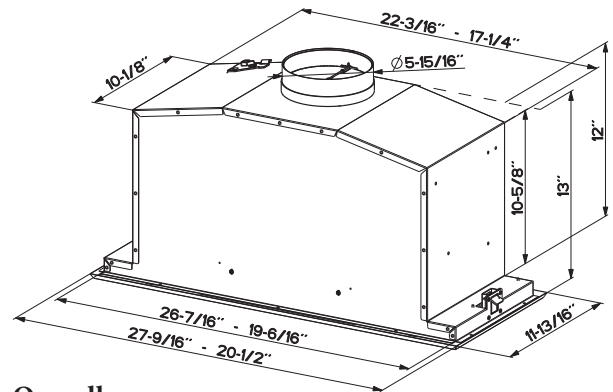
INCA LUX INSERT RANGE HOOD



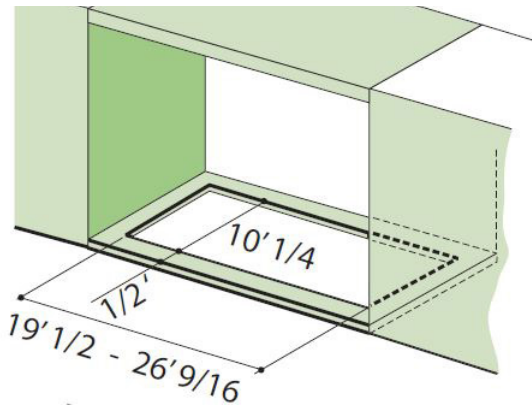
SPECIFICATIONS

cut out dimensions	19 1/2" or 26 9/16" w x 10 1/4" d
convertible to ductless / recirculating	yes - kit purchase separately
controls	4 speed electronic w/ white led
lighting	2 x 35 (w) halogen - two level
ducting top	6" round
grease filters	dishwasher safe mesh
perimetric filtration system	yes
10 minute intensive speed	yes
15 minute auto shut off	yes
ADA compliant	yes (with remote control purchase)
power cord included	yes
AC power	400 watts / 3.2 amps

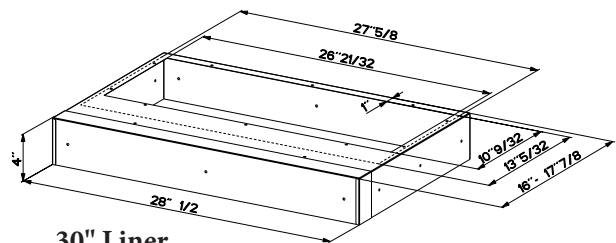
DIMENSIONS



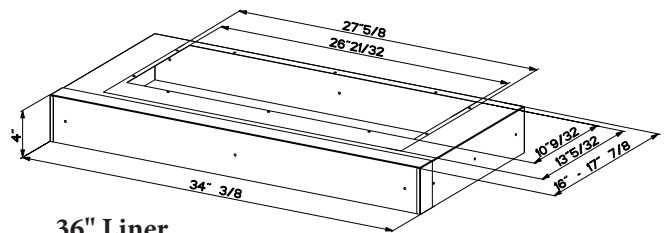
Overall



Cut Out



30" Liner



36" Liner

PERFORMANCE

	SPEED	1	2	3	BOOST
CFM		150	300	450	560
Sones		2.8	4.3	6.0	7.5

ACCESSORIES

FILTER1 -

Charcoal Filter Kit

High quality charcoal filter for use when recirculating the air back into the kitchen. Filters out odor and should be replaced every 6 months

LINE30ST / LINE36ST -

Stainless Steel Liner 30 & 36"

Create a perfectly-sealed, non-combustible 4" tall perimeter to "line" the wood below the hood. Depth adjustable from 16" - 17 7/8" (FITS ONLY 28" INCA LUX)

CFMRED -

CFM Reducer Kit

For use in make up air areas where an under 300 cfm hood is required. This kit reduces the ducting to 5" round and reduces the cfm to under 300

REMCTRL -

Remote Control

Control all features of the hood from the convenience of a wireless remote control

WIREBOX -

Fixed Wiring Box

Replace the power cord with a hard wired box to power the range hood

MUDAMPER6 / MUDAMPER8 -

Universal Make-Up Air Damper

Satisfies make-up air requirements, this kit uses an air switch to activate the make-up air damper to open and bring fresh air into the home when the hood fan is on. It then closes tightly when the hood is off. The CFM level is not reduced with this accessory.



WARNING! Product specifications are subject to change without notification. Consult the installation instructions before you begin installing this range hood



Imagined in Italy