

## INCA LUX

Installation Instructions  
Use and Care Information  
Instructions d'installation  
Utilisez et d'entretien

**INLX21SS600-B**  
**INLX28SS600-B**

# READ AND SAVE THESE INSTRUCTIONS BEFORE YOU START INSTALLING THIS RANGEHOOD

## **WARNING: - TO REDUCE THE RISK OF A RANGE TOP GREASE FIRE:**

- a) Never leave surface units unattended at high settings. Boilovers cause smoking and greasy spillovers that may ignite. Heat oils slowly on low or medium setting.
- b) Always turn hood ON when cooking at high heat or when flambeing food (i.e. Crepes Suzette, Cherries Jubilee, Peppercorn Beef Flambé).
- c) Clean ventilating fans frequently. Grease should not be allowed to accumulate on fan or filter.
- d) Use proper pan size. Always use cookware appropriate for the size of the surface element.

## **WARNING: - TO REDUCE THE RISK OF INJURY TO PERSONS IN THE EVENT OF A RANGE TOP GREASE FIRE, OBSERVE THE FOLLOWING\*:**

- a) **SMOTHER FLAMES** with a close-fitting lid, cookie sheet, or metal tray, then turn off the burner. **BE CAREFUL TO PREVENT BURNS.** If the flames do not go out immediately **EVACUATE AND CALL THE FIRE DEPARTMENT.**
- b) **NEVER PICK UP A FLAMING PAN** - You may be burned.
- c) **DO NOT USE WATER**, including wet dishcloths or towels - a violent steam explosion will result.
- d) Use an extinguisher **ONLY** if:
  - 1. You know you have a Class ABC extinguisher, and you already know how to operate it.
  - 2. The fire is small and contained in the area where it started.
  - 3. The fire department is being called.
  - 4. You can fight the fire with your back to an exit.

\* Based on "Kitchen Firesafety Tips" published by NFPA

## **WARNING - TO REDUCE THE RISK OF FIRE OR ELECTRIC SHOCK, do not use this fan with any solid-state speed control device.**

## **WARNING - TO REDUCE THE RISK OF FIRE, ELECTRICAL SHOCK, OR INJURY TO PERSONS, OBSERVE THE FOLLOWING:**

- 1. Use this unit only in the manner intended by the manufacturer. If you have any questions, contact the manufacturer.
- 2. Before servicing or cleaning unit, switch power off at service panel and lock the service disconnecting means to prevent power from being switched on accidentally. When the service disconnecting means cannot be locked, securely fasten a prominent warning device, such as a tag, to the service panel.

## **CAUTION: For General Ventilating Use Only. Do Not Use To Exhaust Hazardous or Explosive Materials and Vapors.**

## **WARNING - TO REDUCE THE RISK OF FIRE, ELECTRICAL SHOCK, OR INJURY TO PERSONS, OBSERVE THE FOLLOWING:**

- 1. Installation Work And Electrical Wiring Must Be Done By Qualified Person(s) In Accordance With All Applicable Codes And Standards, Including Fire-Rated Construction.
- 2. Sufficient air is needed for proper combustion and exhausting of gases through the flue (chimney) of fuel burning equipment to prevent backdrafting. Follow the heating equipment manufacturer's guideline and safety standards such as those published by the National Fire Protection Association (NFPA), and the American Society for Heating, Refrigeration and Air Conditioning Engineers (ASHRAE), and the local code authorities.

3. **When cutting or drilling into wall or ceiling, do not damage electrical wiring and other hidden utilities.**
4. **Ducted fans must always be vented to the outdoors.**

ALL WALL AND FLOOR OPENINGS WHERE THE RANGEHOOD IS INSTALLED MUST BE SEALED.

**This rangehood requires at least 24" of clearance** between the bottom of the rangehood and the cooking surface or countertop. This hood has been approved by UL at this distance from the cooktop. Overhead cabinets on both sides of this unit must be a minimum of 18" above the cooking surface or countertop. Consult the cooktop or range installation instructions given by the manufacturer before making any cutouts. **MOBILE HOME INSTALLATION** The installation of this rangehood must conform to the Manufactured Home Construction and Safety Standards, Title 24 CFR, Part 3280 (formerly Federal Standard for Mobile Home Construction and Safety, Title 24, HUD, Part 280). See Electrical Requirements.

### VENTING REQUIREMENTS

Determine which venting method is best for your application. Ductwork can extend either through the wall or the roof.

The length of the ductwork and the number of elbows should be kept to a minimum to provide efficient performance. The size of the ductwork should be uniform. Do not install two elbows together. Use duct tape to seal all joints in the ductwork system. Use caulking to seal exterior wall or floor opening around the cap.

**Flexible ductwork is not recommended. Flexible ductwork creates back pressure and air turbulence that greatly reduces performance.**

Make sure there is proper clearance within the wall or floor for exhaust duct before making cutouts. Do not cut a joist or stud unless absolutely necessary. If a joist or stud must be cut, then a supporting frame must be constructed.

**WARNING - To Reduce The Risk Of Fire, Use Only Metal Ductwork.**

**CAUTION - To reduce risk of fire and to properly exhaust air, be sure to duct air outside – Do not vent exhaust air into spaces within walls or ceilings or into attics, crawl spaces, or garages.**

### Cold Weather installations

An additional back draft damper should be installed to minimize backward cold air flow and a nonmetallic thermal break should be installed to minimize conduction of outside temperatures as part of the vent system. The damper should be on the cold air side of the thermal break. The break should be as close as possible to where the vent system enters the heated portion of the house.



## WARNING

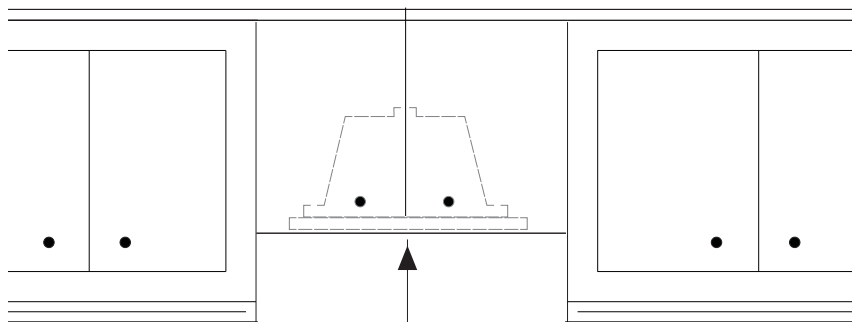
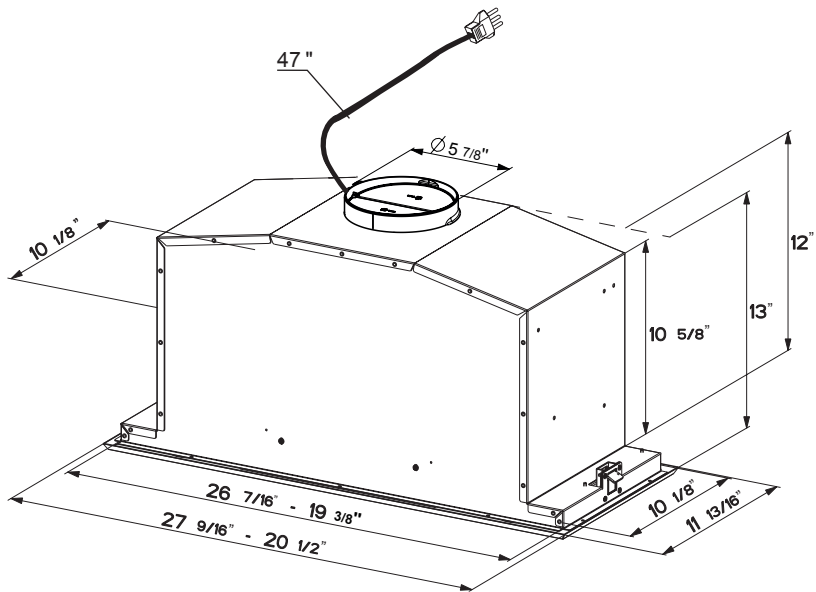
- Venting system **MUST** terminate outside the home.
- **DO NOT** terminate the ductwork in an attic or other enclosed space.
- **DO NOT** use 4" laundry-type wall caps.
- Flexible-type ductwork is not recommended.
- **DO NOT** obstruct the flow of combustion and ventilation air.
- Failure to follow venting requirements may result in a fire.



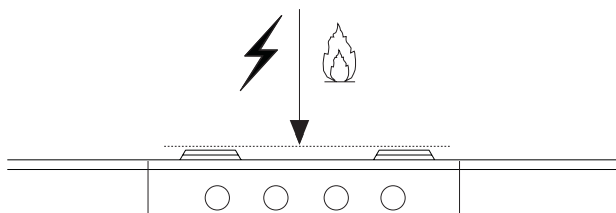
# WARNING

- Electrical ground is required on this rangehood.
- If cold water pipe is interrupted by plastic, nonmetallic gaskets or other materials, DO NOT use for grounding.
- DO NOT ground to a gas pipe.
- DO NOT have a fuse in the neutral or grounding circuit. A fuse in the neutral or grounding circuit could result in electrical shock.
- Check with a qualified electrician if you are in doubt as to whether the rangehood is properly grounded.
- Failure to follow electrical requirements may result in a fire.

# RANGEHOOD DIMENSIONS



Min. 24"



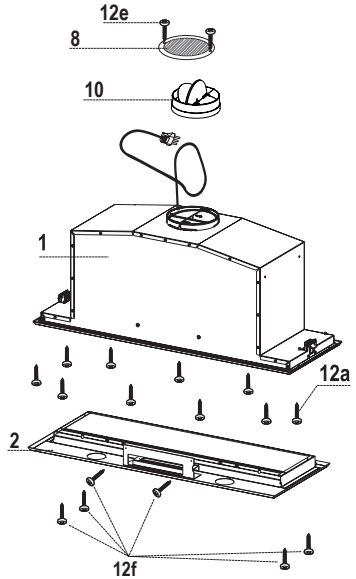
## MAIN PARTS

### Components

Ref.	Qty.	Product Components
1	1	Hood Body, complete with: Controls, Light, Filters, Blower.
2	1	Frame
8	1	Recirculation Vent Grill
10	1	Damper $\varnothing$ 5 7/8"

Ref.	Qty.	Installation Components
12a	10	Screws (for hood installation)
12e	2	Screws 1/8"x3/8" (for Recirculation Vent Grill mounting)
12f	6	Screws 1/8"x1/4" (for frame mounting)

Qty.	Documentation
1	Instruction Manual

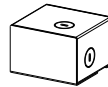


### Parts needed

- 6" Round Metal ductwork .

### Available Accessories

Direct Connect Wiring Box sku # number: WIREBOX



Liner 30" Stainless #LINE30ST

Liner 36" Stainless #LINE36ST

6" Make-Up Air Damper Kit #MUDAMPER6

8" Make-Up Air Damper Kit #MUDAMPER8

Activated Charcoal Filter sku #: FILTER1



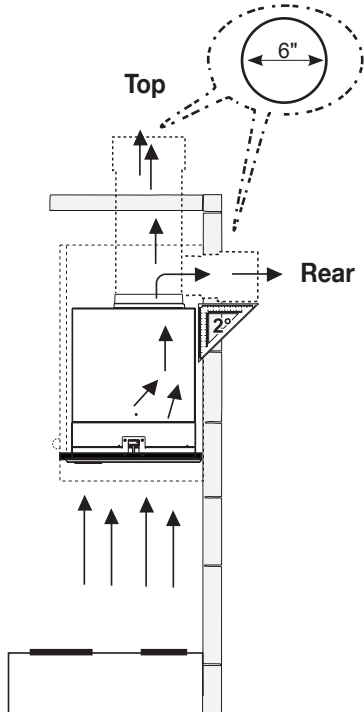
CFM Reducer Kit #CFMRED

Remote Control Accessory - REMCTRL



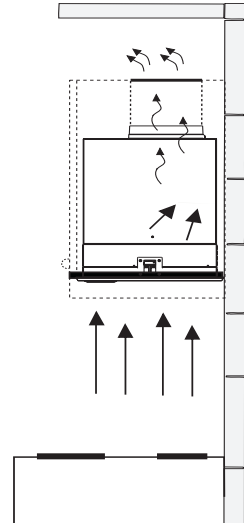
## Choose your ducting method

### Ducted Venting Installation Options



### Non Ducted - Recirculation Option

Requires purchase of Activated Charcoal Accessory



# 1

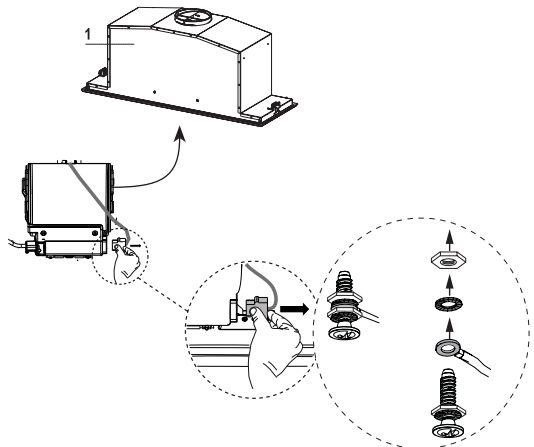
## Install the rangehood (Follow these steps before attempting to install the Insert)

The Electrical Connection and Ground Cable must be disconnected first before installation;

1. Disconnect the Electrical Connector as shown in the figure. Depress the two tabs on the side of the Electrical Connector using your hand and a small flat head screwdriver and pull off.

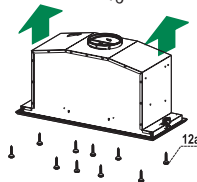
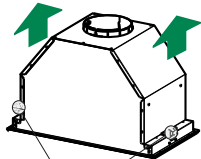
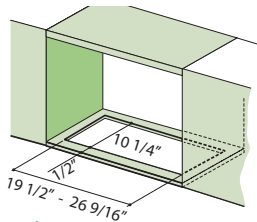
2. Next disconnect the Electrical ground cable (green) that is attached with nuts and screw in the upper cavity of the insert. Unscrew and remove the electrical ground nuts and washers using a 7mm small wrench and a Philips screwdriver. Only remove the nuts and washers on the inside of the cavity.

3. After removing the electrical ground cable nuts and washers you can now remove the bottom frame and set it aside.



The Hood can be installed directly on the underside of the wall unit (Minimum 24" from the Cooking Surface).

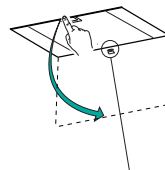
Create an opening in the bottom of the wall unit, as shown.



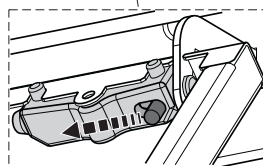
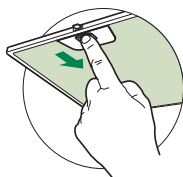
Insert the hood until the side supports snap into place.  
Fasten using the 10 screws **12a** provided.  
Lock in position by tightening the screws **Vf** from underneath the hood.



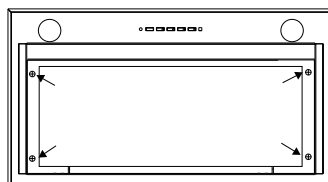
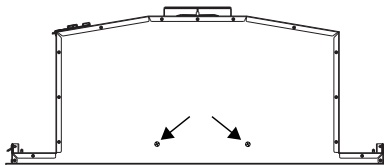
Open the filter cover panel by turning the specific knob.  
Disconnect the panel from the hood canopy by sliding the fixing pin levers.



Remove grease filters and set aside.

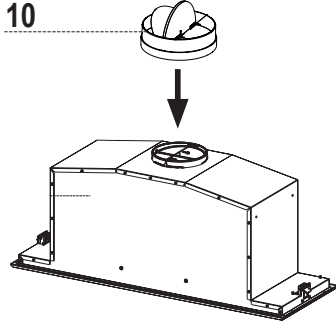


Screw the Frame into place using the 6 screws **12f**, reconnect the wires to the Connector and the Electrical ground cable (Yellow/Green) removed previously. Replace the metal grease filter and the Panel.

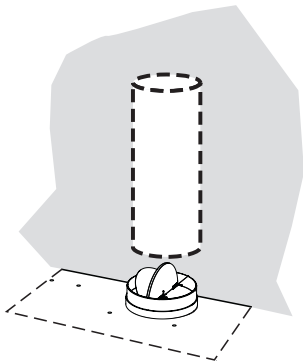




**Ducted Venting Installation**

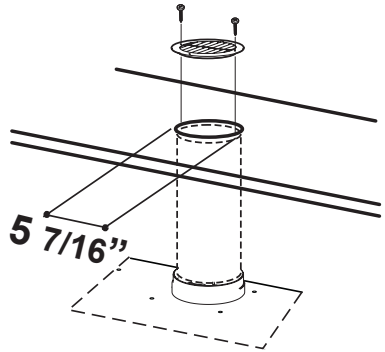


Install Damper that is included with the Insert Hood before connecting to the ductwork.



Install Roof or Wall Cap purchased separately. Connect the 6" metal ductwork to the Roof or Wall Cap and then attach ductwork.

**Non Ducted - Recirculation Option**



For Non-Ducted Recirculation venting route the ductwork to a location above the hood where the discharge is vented back into the room.

Use the included Recirculation Vent Grill to cover the opening. Secure the grill with the 2 screws provided in the Install Kit.

Required Activated Charcoal Filter Accessory - sku # - FILTER1 (purchased separately)



See page 10 Section 7 for installation instructions of Activated Charcoal Filter Accessory.

### 3

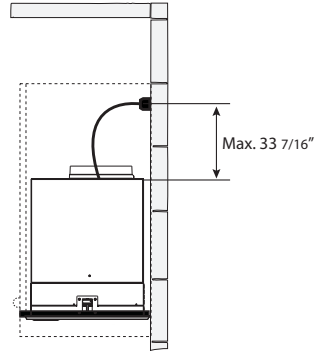
## ELECTRICAL INSTALLATION WITH CONNECTION CABLE

**GROUNDING INSTRUCTIONS** This appliance must be grounded. In the event of an electrical short circuit, grounding reduces the risk of electric shock by providing an escape wire for the electric current. This appliance is equipped with a cord having a grounding wire with a grounding plug. The plug must be plugged into an outlet that is properly installed and grounded.

**WARNING** - Improper grounding can result in a risk of electric shock.

Consult a qualified electrician if the grounding instructions are not completely understood, or if doubt exists as to whether the appliance is properly grounded.

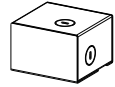
Do not use an extension cord. If the power supply cord is too short, have a qualified electrician install an outlet near the appliance.



## ELECTRICAL INSTALLATION WITH OPTIONAL WIRING BOX

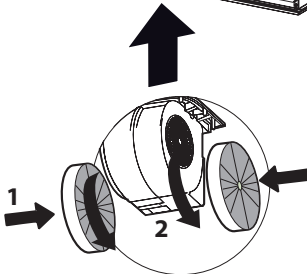
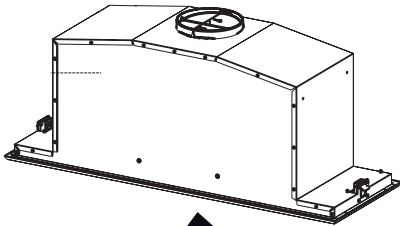
For Permanent wiring Installation-Use only with Listed rangehood Wiring Box kit sku # WIREBOX, manufactured by Faber.

Direct Connect Wiring Box  
Accessory sku # WIREBOX  
(purchased separately)



### 4

## For Non-Ducted Recirculation Option

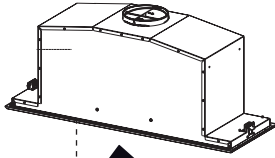


Attach each charcoal filter to the black grid on each side of the blower. Press the charcoal filter tightly to the black grid on the blower side and rotate the filter clockwise (towards the front of the insert hood) until it locks into place. Turn counterclockwise (towards the back of the insert hood) to remove.

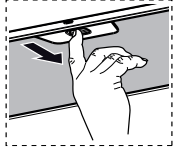
Required Activated Charcoal Filter  
Accessory - sku # - FILTER1  
(purchased separately)



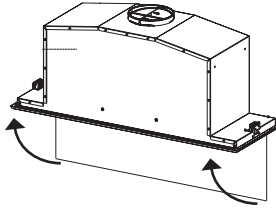
**5**



Replace the grease filters removed previously.



**6**

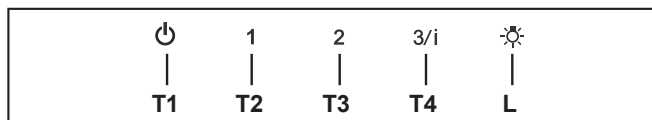


Close the filter panel cover by pushing it back into place until the latch mechanism has secured it.

## USE AND CARE INFORMATION

### For Best Results

Start the rangehood several minutes before cooking to develop proper airflow. Allow the rangehood to operate for several minutes after cooking is complete to clear all smoke and odors from the kitchen.



**T1.** Fan Off Button: Turn the blower Off. The fan can be operated by pressing any of the fan setting buttons.

Hold down this button for 2 seconds to activate Delay Off function which will keep the fan On for 15 minutes and automatically shut Off.

**T2.** Fan Settings Buttons: Low Speed.

**T3.** Fan Settings Buttons: Medium Speed.

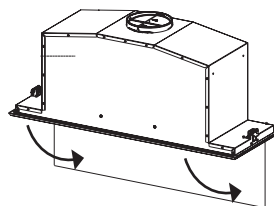
**T4.** Fan Settings Buttons: High Speed / Intensive Speed.

Hold down the button for 2 seconds to activate the INTENSIVE SPEED, which is timed to run for 10 minutes. At the end of this time it will automatically return to the speed set before. Suitable to deal with maximum levels of cooking fumes.

**L.** Light Button: On/Dim/Off switch for the halogen lights. Press the LIGHT button to turn the light on, again to set the lights to dimmer, and again to turn off.

### Cleaning Filter Cover Panel

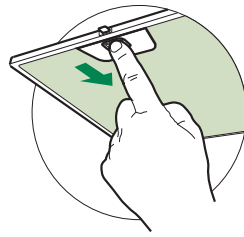
- Open the Panel by pulling it.
- Clean the outside with a damp cloth and neutral detergent.
- Clean the inside using a damp cloth and neutral detergent do not use wet cloths or sponges, or jets of water; do not use abrasive substances.



## Cleaning metal grease filters

The metal grease filters can be cleaned in hot detergent solution or washed in the dishwasher. They should be cleaned every 2 months use, or more frequently if use is particularly heavy.

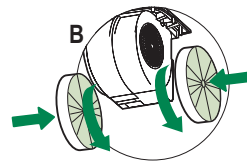
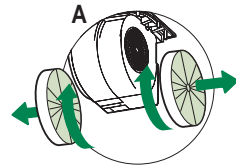
- Open the Panel by pulling it.
- Remove the filter, pushing the lever towards the back of the unit and at the same time pulling downward.
- Wash the filter without bending it, leave it to dry thoroughly before replacing (if the surface of the filter changes color over time, this will have absolutely no effect on its efficiency).
- Replace, taking care to ensure that the handle faces forward.
- Cleaning in dishwasher may dull the finish of the metal grease filter.
- Close the Panel.



## Replacing Activated Charcoal Filter

The Activated Charcoal Filters are not washable and cannot be regenerated, and must be replaced approximately every 4 months of operation, or more frequently with heavy usage.

- Open the Panel by pulling it.
- Remove the Filter, pushing it towards the back of the unit and at the same time pulling downward.
- Remove the saturated Activated Charcoal Filters, as indicated (A).
- Fit the new Filters, as indicated (B).
- Replace, taking care to ensure that the handle faces forwards.
- Close the Panel.

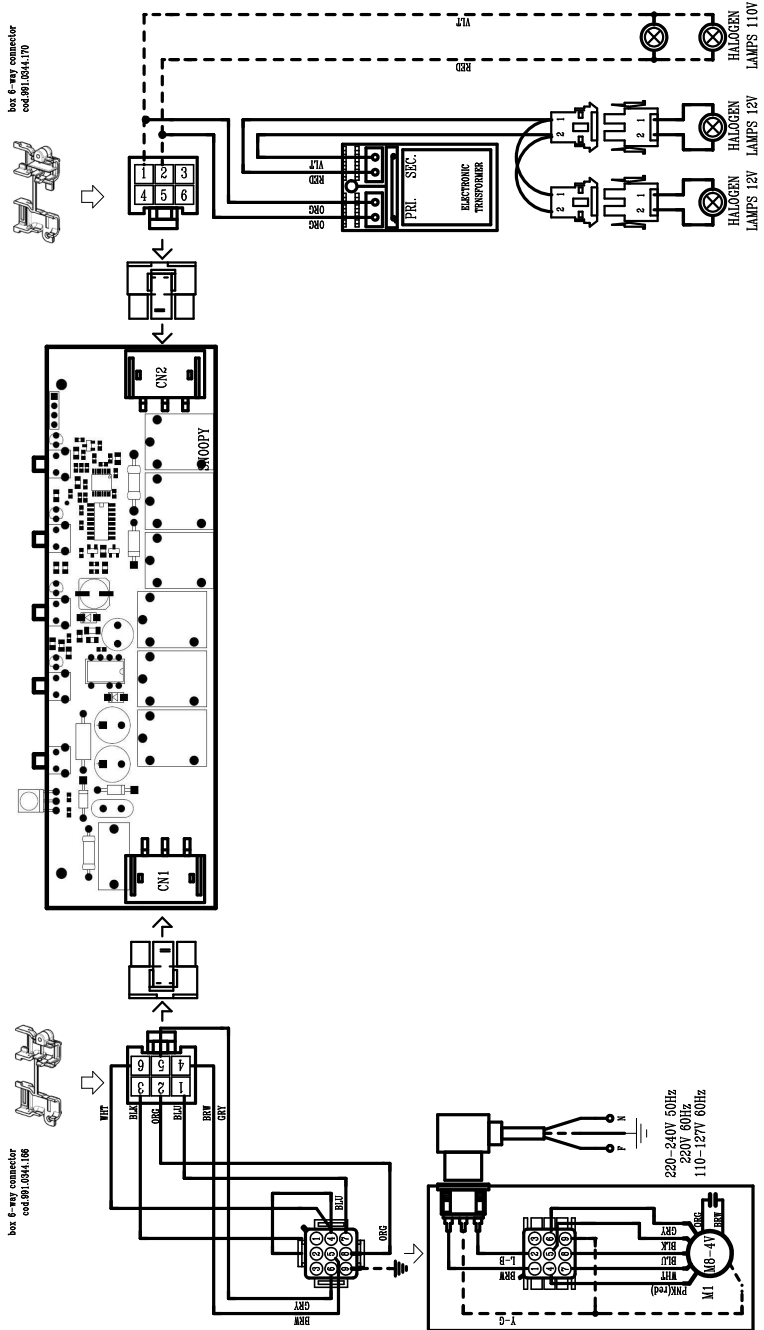


## Replacing the two 35W Halogen GU10 bulbs

- Turn off electrical supply before replacing bulbs, and make sure bulbs are cool to touch before proceeding.
- Carefully remove the snap-on lamp cover using a flat head screwdriver by levering it down from under the metal ring.
- After the snap-on lamp cover is down remove the halogen lamp at the base and turn slightly to the left and the pull out from the connector and turn slightly to the left.
- Replace the lamp with a new one of the same type, making sure that you insert the two pins properly into the housings on the lamp holder.
- Replace the snap-on lamp cover.
- Once the bulb pins are in place turn slightly to the right to secure.



# Wiring Diagram





## FABER CONSUMER WARRANTY & SERVICE

All Faber products are warranted against any defect in materials or workmanship for the original purchaser for a period of 1 year from the date of original purchase (requires proof of purchase). This warranty covers labor and replacement parts. Faber, at its option, may repair or replace the product or components necessary to restore the product to good working condition. To obtain warranty service, contact the dealer from whom you purchased the range hood, or the local Faber distributor. If you cannot identify a local Faber distributor, contact us at (508) 358-5353 for the name of a distributor in your area.

**The following is not covered by Faber's warranty:**

1. Service calls to correct the installation of your range hood, to instruct you how to use your range hood, to replace or repair house fuses or to correct house wiring or plumbing.
2. Service calls to repair or replace range hood light bulbs, fuses or filters. Those consumable parts are excluded from warranty coverage.
3. Repairs when your range hood is used for other than normal, single-family household use.
4. Damage resulting from accident, alteration, misuse, abuse, fire, flood, acts of God, improper installation, installation not in accordance with electrical or plumbing codes or Faber documentation, or use of products not approved by Faber.
5. Replacement parts or repair labor costs for units operated outside the United States or Canada, including any non-UL or C-UL approved Faber range hoods.
6. Repairs to the hood resulting from unauthorized modifications made to the range hood.
7. Expenses for travel and transportation for product service in remote locations and pickup and delivery charges. Faber range hoods should be serviced in the home.

THIS WARRANTY DOES NOT ALLOW RECOVERY OF INCIDENTAL OR CONSEQUENTIAL DAMAGES, INCLUDING, WITHOUT LIMITATION, DIRECT, INDIRECT, INCIDENTAL, SPECIAL OR CONSEQUENTIAL DAMAGES, PERSONAL INJURY/WRONGFUL DEATH OR LOST PROFITS FABER WARRANTY IS LIMITED TO THE ABOVE CONDITIONS AND TO THE WARRANTY PERIOD SPECIFIED HEREIN AND IS EXCLUSIVE. EXCEPT AS EXPRESSLY SPECIFIED IN THIS AGREEMENT, FABER DISCLAIMS ALL EXPRESS OR IMPLIED CONDITIONS, REPRESENTATIONS, AND WARRANTIES INCLUDING, WITHOUT LIMITATION, ANY IMPLIED WARRANTIES OF MERCHANTABILITY OR FITNESS FOR A PARTICULAR PURPOSE.

This warranty gives you specific legal rights that may vary from state to state.

Model#: \_\_\_\_\_

Serial #: \_\_\_\_\_

January 4, 2016

