

FABER

FLEXA

Installation Instructions
Use and Care Information

Instructions d'installation
Utilisez et d'entretien

Instrucciones de instalación
Información de uso y cuidado

FLEX24SS300
FLEX30SS300

CONTENTS

Section	Page
Important safety instructions	3
Range hood dimensions	6
Installation height requirements	8
Parts	9
Tools needed	11
Venting method	12
Preparing the cabinet	13
Install the rear trim strip	16
Choosing venting method	17
Attach venting: option 1 - rear or top vented	18
Attach venting: option 2 - non ducted recirculating	19
Connecting house power	20
Operating the controls	22
Cleaning stainless steel	23
Caring for filters	23
Replacing the activated charcoal filter	24
Replacing bulbs	25
Wiring diagram	26
Warranty	27

IMPORTANT SAFETY INSTRUCTIONS

READ AND SAVE THESE INSTRUCTIONS BEFORE YOU START INSTALLING THIS Range Hood

WARNING: - TO REDUCE THE RISK OF A RANGE TOP GREASE FIRE:

- a) Never leave surface units unattended at high settings. Boilovers cause smoking and greasy spillovers that may ignite. Heat oils slowly on low or medium setting.
- b) Always turn hood ON when cooking at high heat or when flambeing food (i.e. Crepes Suzette, Cherries Jubilee, Peppercorn Beef Flambé).
- c) Clean ventilating fans frequently. Grease should not be allowed to accumulate on fan or filter.
- d) Use proper pan size. Always use cookware appropriate for the size of the surface element.

WARNING: - TO REDUCE THE RISK OF INJURY TO PERSONS IN THE EVENT OF A RANGE TOP GREASE FIRE, OBSERVE THE FOLLOWING*:

- a) SMOTHER FLAMES with a close-fitting lid, cookie sheet, or metal tray, then turn off the burner. BE CAREFUL TO PREVENT BURNS. If the flames do not go out immediately EVACUATE AND CALL THE FIRE DEPARTMENT.
- b) NEVER PICK UP A FLAMING PAN - You may be burned.
- c) DO NOT USE WATER, including wet dishcloths or towels - a violent steam explosion will result.
- d) Use an extinguisher ONLY if:
 1. You know you have a Class ABC extinguisher, and you already know how to operate it.
 2. The fire is small and contained in the area where it started.
 3. The fire department is being called.
 4. You can fight the fire with your back to an exit.

* Based on "Kitchen Firesafety Tips" published by NFPA

WARNING - TO REDUCE THE RISK OF FIRE OR ELECTRIC SHOCK, do not use this fan with any solid-state speed control device.

WARNING - TO REDUCE THE RISK OF FIRE, ELECTRICAL SHOCK, OR INJURY TO PERSONS, OBSERVE THE FOLLOWING:

1. Use this unit only in the manner intended by the manufacturer. If you have any questions, contact the manufacturer.
2. Before servicing or cleaning unit, switch power off at service panel and lock the service disconnecting means to prevent power from being switched on accidentally. When the service disconnecting means cannot be locked, securely fasten a prominent warning device, such as a tag, to the service panel.

CAUTION: For General Ventilating Use Only. Do Not Use To Exhaust Hazardous or Explosive Materials and Vapors.

WARNING - TO REDUCE THE RISK OF FIRE, ELECTRICAL SHOCK, OR INJURY TO PERSONS, OBSERVE THE FOLLOWING:

1. Installation Work And Electrical Wiring Must Be Done By Qualified Person(s) In Accordance With All Applicable Codes And Standards, Including Fire-Rated Construction.
2. Sufficient air is needed for proper combustion and exhausting of gases through the flue (chimney) of fuel burning equipment to prevent backdrafting. Follow the heating equipment manufacturer's guideline and safety standards such as those published by the National Fire Protection Association (NFPA), and the American Society for Heating, Refrigeration and Air Conditioning Engineers (ASHRAE), and the local code authorities.

- 3. When cutting or drilling into wall or ceiling, do not damage electrical wiring and other hidden utilities.**
- 4. Ducted fans must always be vented to the outdoors.**

ALL WALL AND FLOOR OPENINGS WHERE THE Range Hood IS INSTALLED MUST BE SEALED.

This Range Hood requires at least 24" of clearance between the bottom of the Range Hood and the cooking surface or countertop. This hood has been approved by UL at this distance from the cooktop.

This minimum clearance may be higher depending on local building codes. For gas cooktops and combination ranges, a minimum of 30" is recommended and may be required.

Overhead cabinets on both sides of this unit must be a minimum of 18" above the cooking surface or countertop. Consult the cooktop or range installation instructions given by the manufacturer before making any cutouts.

MOBILE HOME INSTALLATION The installation of this Range Hood must conform to the Manufactured Home Construction and Safety Standards, Title 24 CFR, Part 3280 (formerly Federal Standard for Mobile Home Construction and Safety, Title 24, HUD, Part 280). See Electrical Requirements"

VENTING REQUIREMENTS

Determine which venting method is best for your application. Ductwork can extend either through the wall or the roof.

The length of the ductwork and the number of elbows should be kept to a minimum to provide efficient performance. The size of the ductwork should be uniform. Do not install two elbows together. Use duct tape to seal all joints in the ductwork system. Use caulking to seal exterior wall or floor opening around the cap.

Flexible ductwork is not recommended. Flexible ductwork creates back pressure and air turbulence that greatly reduces performance.

Make sure there is proper clearance within the wall or floor for exhaust duct before making cutouts. Do not cut a joist or stud unless absolutely necessary. If a joist or stud must be cut, then a supporting frame must be constructed.

WARNING - To Reduce The Risk Of Fire, Use Only Metal Ductwork.

CAUTION - To reduce risk of fire and to properly exhaust air, be sure to duct air outside - Do not vent exhaust air into spaces within walls or ceilings or into attics, crawl spaces, or garages.

WARNING: To Reduce The Risk Of Fire, Electric Shock Or Injury To Persons, Do Not Use Replacement Parts That Have Not Been Recommended By The Manufacturer (e.g. Parts Made At Home Using A 3D Printer).



WARNING

- Venting system **MUST** terminate outside the home.
- **DO NOT** terminate the ductwork in an attic or other enclosed space.
- **DO NOT** use 4" laundry-type wall caps.
- Flexible-type ductwork is not recommended.
- **DO NOT** obstruct the flow of combustion and ventilation air.
- Failure to follow venting requirements may result in a fire.

Cold Weather installations

An additional back draft damper should be installed to minimize backward cold air flow and a non-metallic thermal break should be installed to minimize conduction of outside temperatures as part of the vent system. The damper should be on the cold air side of the thermal break. The break should be as close as possible to where the vent system enters the heated portion of the house.

ELECTRICAL REQUIREMENTS

A 120 volt, 60 Hz AC-only electrical supply is required on a separate 15 amp fused circuit. A time-delay fuse or circuit breaker is recommended. The fuse must be sized per local codes in accordance with the electrical rating of this unit as specified on the serial/rating plate located inside the unit near the field wiring compartment.



WARNING

- Electrical ground is required on this Range Hood.
- If cold water pipe is interrupted by plastic, nonmetallic gaskets or other materials, DO NOT use for grounding.
- DO NOT ground to a gas pipe.
- DO NOT have a fuse in the neutral or grounding circuit. A fuse in the neutral or grounding circuit could result in electrical shock.
- Check with a qualified electrician if you are in doubt as to whether the Range Hood is properly grounded.
- Failure to follow electrical requirements may result in a fire.

State of California Proposition 65 Warning (US only)

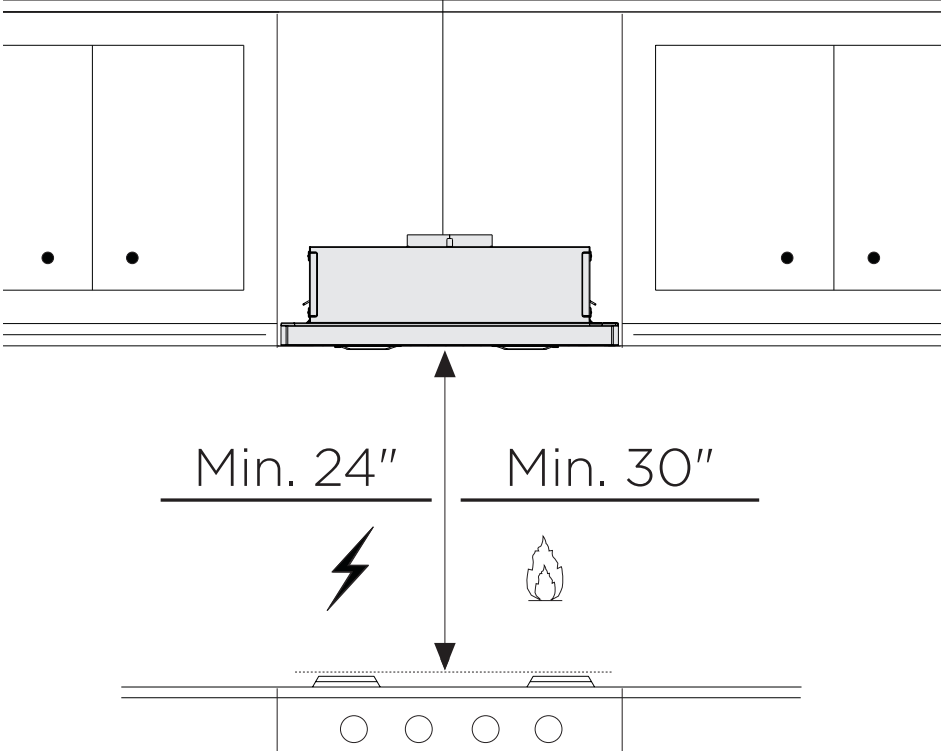
WARNING

This product contains chemicals known to the State of California to cause cancer and birth defects or other reproductive harm.

For more information go to www.P65Warnings.ca.gov

INSTALLATION HEIGHT REQUIREMENTS



MIN. 24" OVER ELECTRIC / MIN. 30" OVER GAS

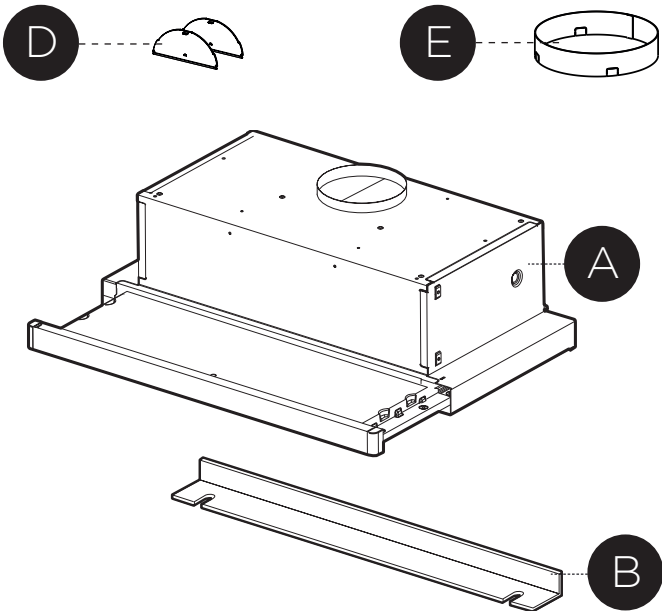


PARTS

PARTS INCLUDED



REF.	PART	QTY
A	Hood body	1
B	Rear Trim Strip	1
D	Damper flaps	2
E	Metal ring	1

REF	PART		
F	Pozi Screws (3/16" x 1/2")		



PARTS (cont.)








PARTS NEEDED

PART	
5" Round Metal Ductwork	
Foil tape	

ACCESSORIES AVAILABLE

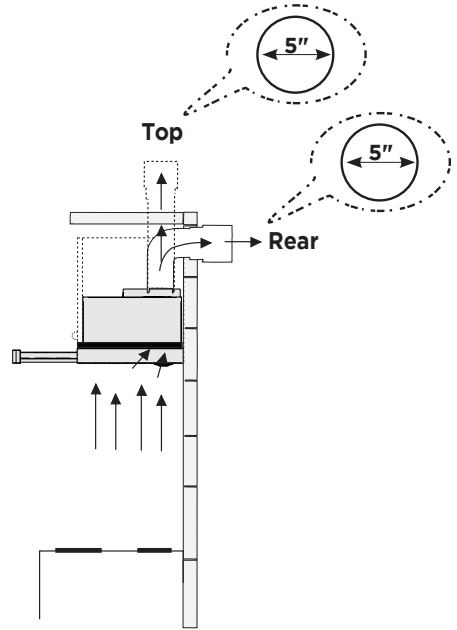
ACCESSORY	SKU#
Activated Charcoal Filter Kit	#FILTER7

TOOLS NEEDED

TOOL	
Tape Measure	
Pencil	
Electric Drill with 5/16" Drill Bit	
Phillips Screwdriver	
Pozi Screwdriver	
Metal sheers	
Work gloves	

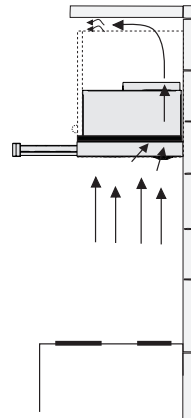
VENTING METHOD

1 Option 1: REAR OR TOP VENTED



Option 2: RECIRCULATING

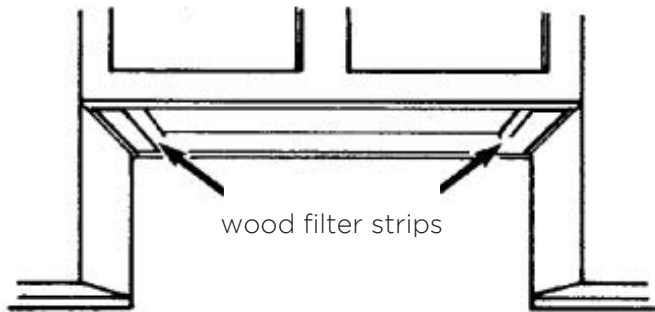
Requires purchase of
Activated Charcoal
Accessory kit.



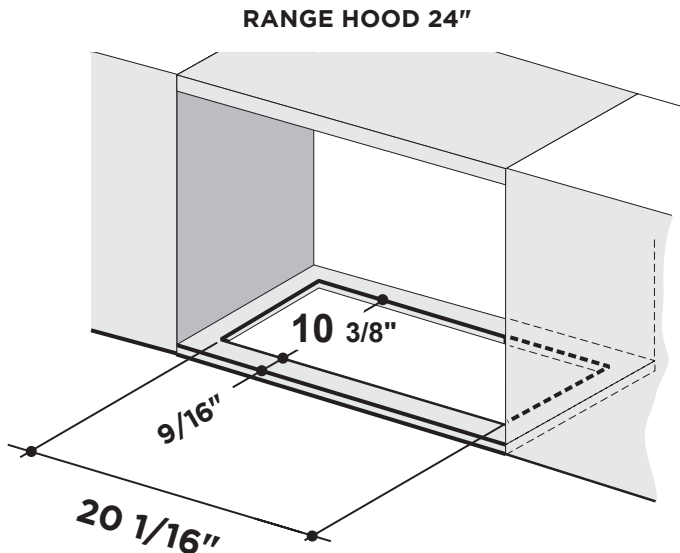
PREPARING THE CABINET

ATTACHING THE HOOD TO THE CABINET

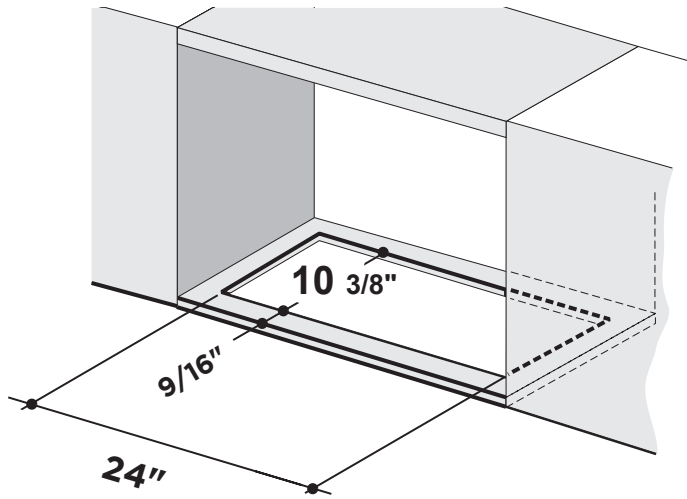
- 1 The Hood can be installed directly on the underside of the cabinet.
- 2 If the cabinet bottom is recessed, wood blocks need to be installed to insure proper alignment with the cabinet bottom. Wood blocks should be flush or recessed $1/16''$ to $1/8''$ within the cabinet bottom as shown.



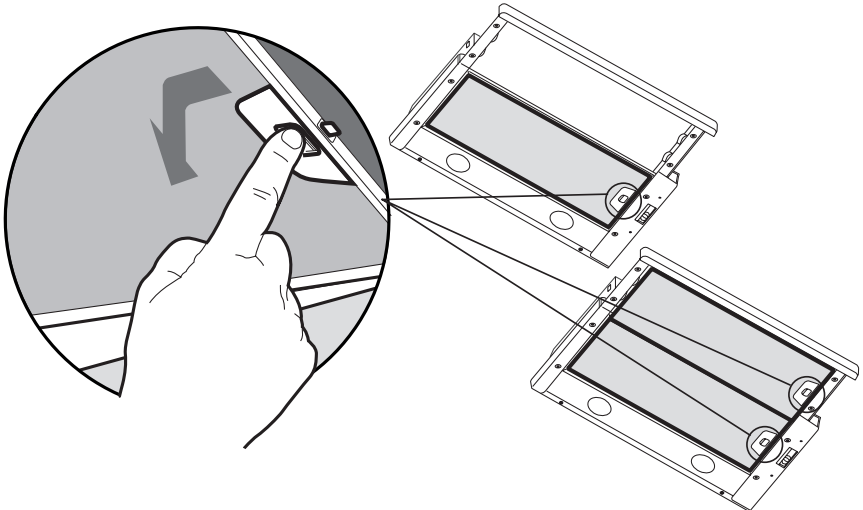
- 3 Create a cut out in the bottom of the cabinet as shown in the illustration.



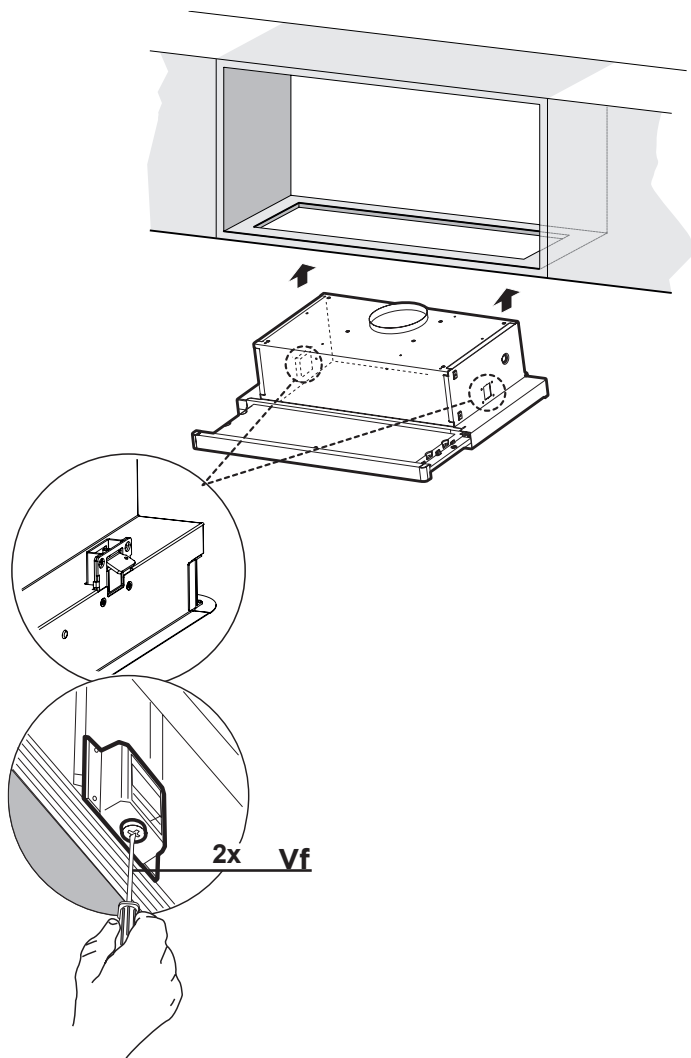
RANGE HOOD 30"



- 4 Remove the grease filters by pushing the release tab towards the side of hood.



- 5 Insert the hood in the cut out until the side installation clips snap into place. Lock the hood into position by tightening the 2 screws **Vf** from underneath.

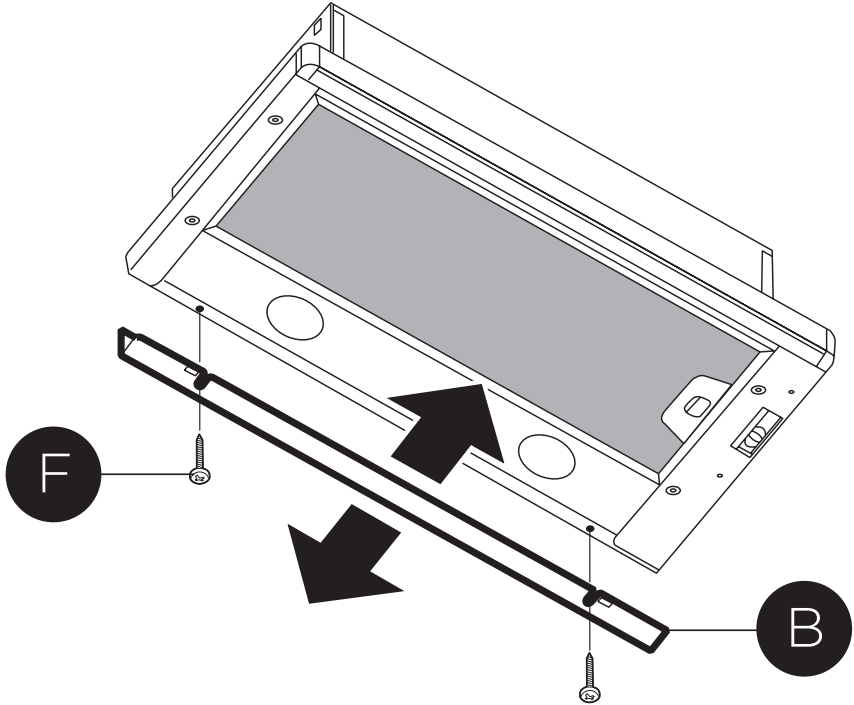


Phillips Screwdriver



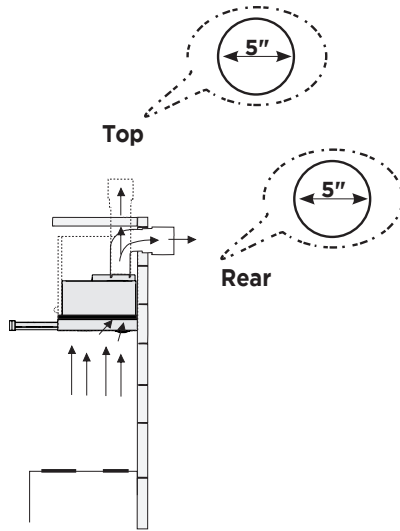
INSTALL THE REAR TRIM STRIP

- 1 A rear trim strip **B** is included to cover the underside of any remaining exposed cabinet. Attach the vinyl strip to the bottom of the back of the rangehood with the two screws **F** provided.



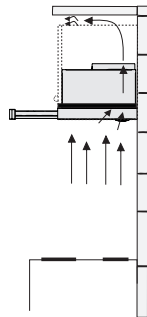
CHOOSING VENTING METHOD

5 Option 1: REAR OR TOP VENTED



Go to Pg.17

Option 2: RECIRCULATING

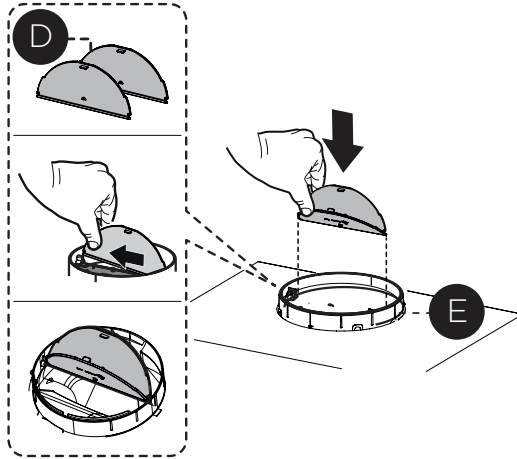


Requires purchase of
Activated Charcoal
Accessory kit.

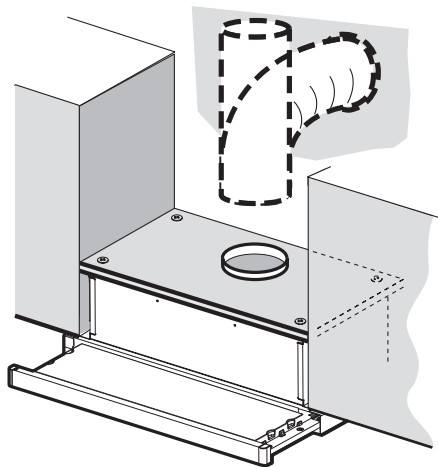
Go to Pg.18

ATTACH VENTING: OPTION 1 - REAR OR TOP VENTED

- 1 Install the Metal damper ring **E** included with the Hood. Then install the damper flaps **D** by snapping the tabs into place inside the top of the hood before connecting ductwork.



- 2 Install Roof or Wall Cap purchased separately. Connect the 5" metal ductwork to the Roof or Wall Cap and then attach ductwork. Seal with foil tape.

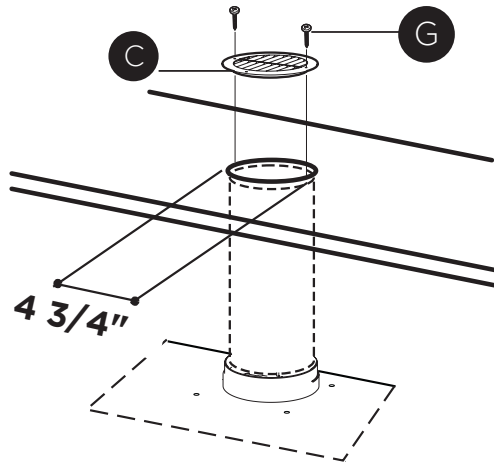


ATTACH VENTING: OPTION 2 - NON DUCTED RECIRCULATING

1 For Non-Ducted Recirculation venting route the ductwork to a location above the hood where the discharge is vented back into the room.

Require purchase locally the Recirculation Vent Grill **C** to cover the opening and secure the grill with the 2 screws **G** not provided.

A straight 5" round duct that is at least 15" in length should be used to lead air from the top of the hood exhaust outlet to the exit of the cabinet above.



Required Activated Charcoal Filter
Accessory - sku # - FILTER7



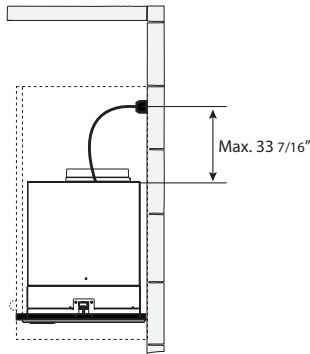
CONNECTING HOUSE POWER

6

ELECTRICAL INSTALLATION WITH CONNECTION CABLE

GROUNDING INSTRUCTIONS This appliance must be grounded. In the event of an electrical short circuit, grounding reduces the risk of electric shock by providing an escape wire for the electric current. This appliance is equipped with a cord having a grounding wire with a grounding plug. The plug must be plugged into an outlet that is properly installed and grounded.

WARNING - Improper grounding can result in a risk of electric shock. Consult a qualified electrician if the grounding instructions are not completely understood, or if doubt exists as to whether the appliance is properly grounded. Do not use an extension cord. If the power supply cord is too short, have a qualified electrician install an outlet near the appliance.

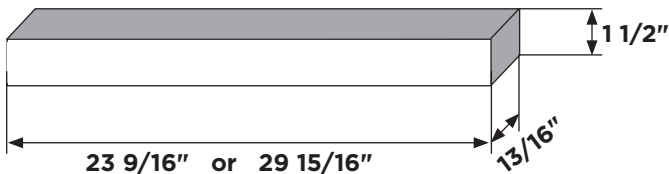


The power cord shall be accessible for inspection after installation.

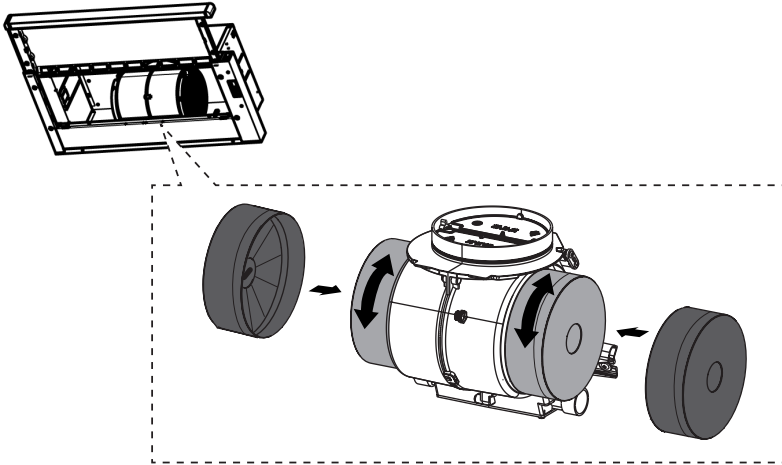
CUSTOM FRONT TRIM OPTION

This hood comes with a stainless front trim installed. To replace and customize this panel, remove grease filters and the three Phillips screws located behind the strip. If necessary, the front strip can be adjusted by loosening the three Phillips screws and sliding the strip up or down. Tighten screws when you have the strip properly placed.

For a custom front trim, a local cabinet shop can make a strip to match your cabinets. The front strip dimensions are given in the illustration.



7 FOR NON-DUCTED RECIRCULATION OPTION

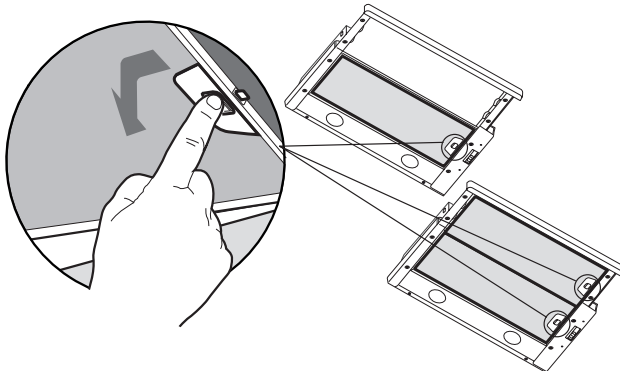


Attach each charcoal filter to the black grid on each side of the blower. Press the charcoal filter tightly to the black grid on the blower side and rotate the filter clockwise (towards the front of the hood) until it locks into place. Turn counterclockwise (towards the back of the hood) to remove (for more details see paragraph **Changing and Inserting the Charcoal Filter**)

Required Activated Charcoal Filter
Accessory - sku # - FILTER7



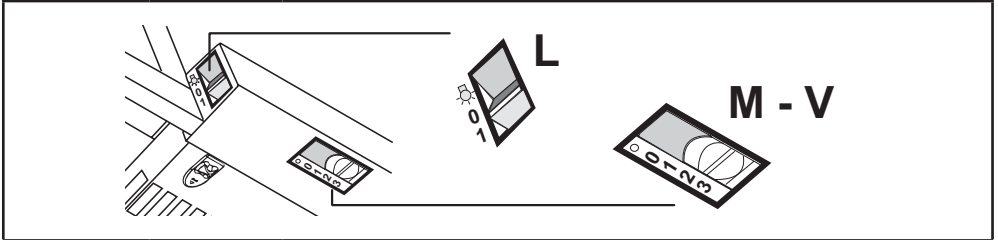
8 Reinstall the grease filters removed previously.



OPERATING THE CONTROLS

FOR BEST RESULTS

Start the Range Hood several minutes before cooking to develop proper airflow. Allow the Range Hood to operate for several minutes after cooking is complete to clear all smoke and odors from the kitchen.



All controls are located on the right side of the rangehood

L	Light	The On/Off switch for the light is located behind the front trim. Moving the switch to the 1 Position turns the light On. Moving the switch to the 0 Position turns the light Off.
M-V	Motor/ Speed	M-V shows the speed control switch for the blower. Moving the switch to the 1 Position turns the blower on LOW. Moving the switch to the 2 Position turns the blower on MEDIUM. Moving the switch to the 3 Position turns the blower on HIGH. Moving the switch to the 0 Position turns the blower off.

Automatic Operation

As long as the blower and light switches are on, the blower and light will automatically operate when the visor is opened and shut off when the visor is closed.

CLEANING STAINLESS STEEL

Cleaning Exterior surfaces:

Please note, abrasives and scouring agents can scratch range hood finishes and should not be used to clean finished surfaces.

Stainless Steel finish cleaning instructions:

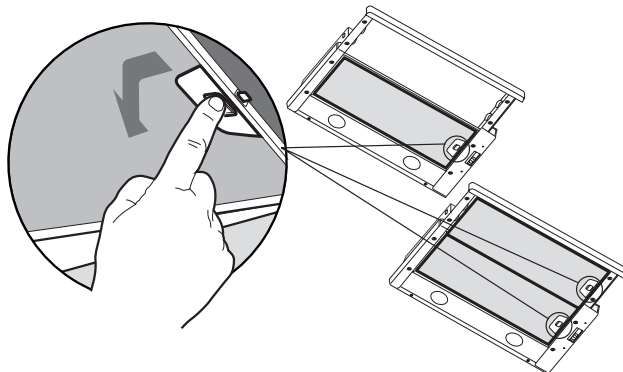
Clean exterior surfaces with a commercially available stainless steel cleaner.

CARING FOR FILTERS

CLEANING METAL GREASE FILTERS

The metal grease filters can be cleaned in hot detergent solution or washed in the dishwasher. They should be cleaned every 2 months use, or more frequently if use is particularly heavy.

1. Pull out the sliding suction panel.
2. Remove the grease filters by pushing the release tab towards the side of hood.
3. Wash the filter without bending it, leave it to dry thoroughly before replacing (if the surface of the filter changes color over time, this will have absolutely no effect on its efficiency).
4. Replace, taking care to ensure that the handle faces forward.
5. Cleaning in dishwasher may dull the finish of the metal grease filter.
6. Close the sliding suction panel.
7. Completely dry the filters before installing back into the hood. No water should be trapped in the filter before reinstalling.

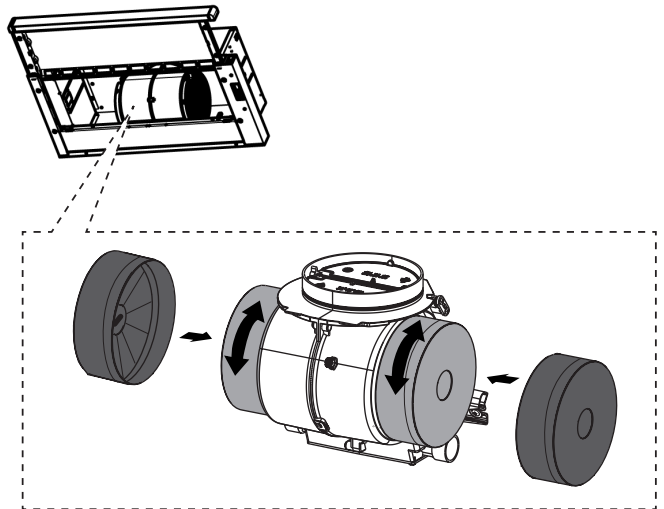


REPLACING THE ACTIVATED CHARCOAL FILTER

The Activated Charcoal Filters (FILTER7) are not washable and cannot be regenerated, and must be replaced approximately every 4 months of operation, or more frequently with heavy usage.

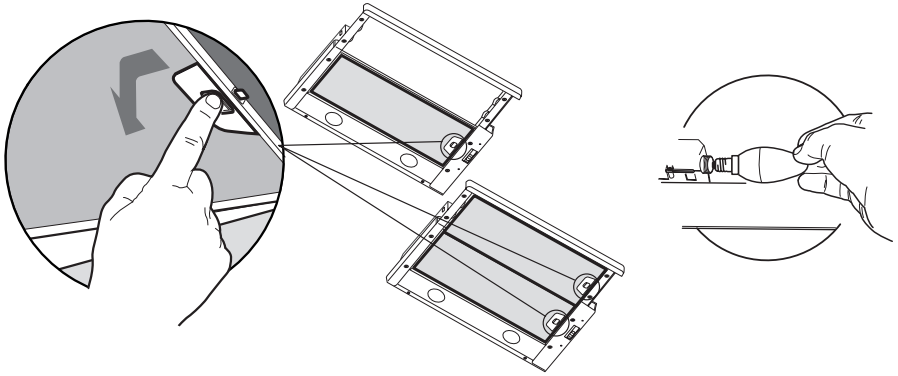
1. Pull out the sliding suction panel.
2. Remove the grease filters by pushing the release tab towards the side of hood.
3. Remove the saturated carbon filter by releasing the fixing hooks.
4. Fit the new filter by hooking it into its seating.
5. Replace the filter, taking care to ensure that the handle faces forwards.
6. Close the sliding suction panel.

CAUTION: When used in recirculation mode, to Reduce the Risk of Fire and Shock use only conversion kit Model FILTER7.



REPLACING BULBS

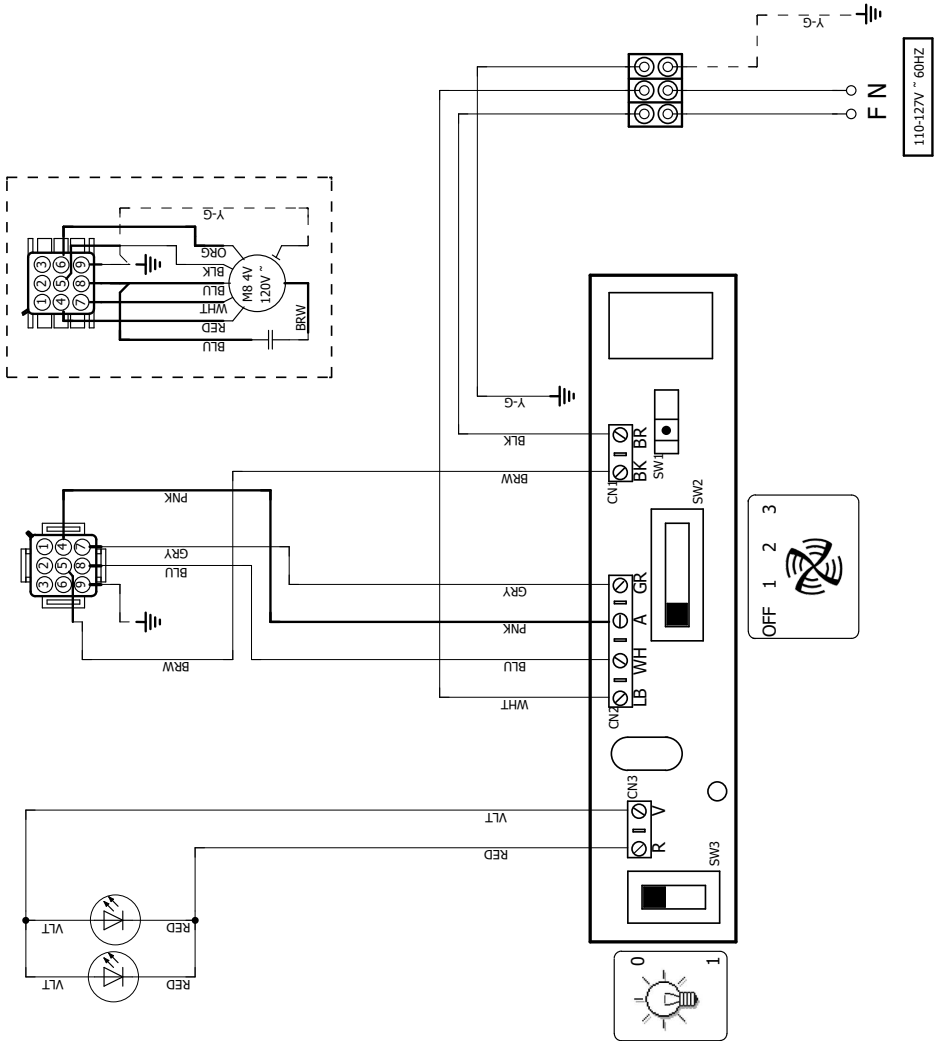
1. Pull out the sliding suction panel.
2. Remove the filter.
3. Replace the lamp with a new one of the same type.
4. Replace the grease filters.



E12 self-ballasted led lamps –
listed in accordance with ul 1993/
nmxj-578/1-ance/ csa c22.2 No.
1993



WIRING DIAGRAM



WARRANTY



Franke Home Solutions Warranty for Franke and Faber Branded Product Effective March 1, 2022

In the United States, Canada and Latin America, Franke warrants the Faber branded products from manufacturing defects in material and workmanship when purchased from a Franke or Faber Authorized Retailer pursuant to product-specific warranties detailed herein (each, a "Warranty" and collectively, the "Warranties"). The products must be properly installed, per Franke's installation instructions, in their original installation, and used in normal indoor residential kitchen applications. Any products or components which have been modified or altered from their original intended condition will void the Warranty. The Franke Warranties for Faber branded products are limited to the original purchaser and are non- transferrable. These Warranties do not include products purchased from non-Authorized Retailers, products that are obsolete or discontinued, or products that were previous display models. All issues with installed products are considered warranty claims and not subject to the Return Policy. Franke reserves the right to inspect any Franke / Faber product reported to be defective pursuant to a Warranty claim and the original installation prior to providing a replacement product and/or component. All decisions are final. In no situation shall the liability of Franke exceed the amount of the original purchase price.

The Warranties do not cover, and Franke shall not be liable for, any damage to products or components resulting from misuse or abuse, accidental damages, normal wear such as scuffs, scratches or finish reduction/fading, improper installation, abnormal usage, negligence, damage caused by improper maintenance or cleaning. Damage caused by impurities, corrosive chemicals or acts beyond Franke's control are not covered by any Warranty. Service calls to correct the installation of a range hood, instructions on how to operate a range hood, to replace or repair house fuses or to correct house wiring or plumbing are not covered by any Warranty. Service calls to repair or replace range hood light bulbs, fuses or filters and these consumable part costs are also excluded from Warranty coverage. Installation not in accordance with electrical or plumbing codes or Franke / Faber documentation are not covered by any Warranty. Replacement parts or repair labor costs for units operated outside the United States, Canada or Latin America, including any non-UL or C-UL or non-NOM approved Franke / Faber range hoods are excluded from Warranty coverage. Expenses for travel and transportation for service in remote locations and pickup and delivery charges are not covered by any Warranty. Franke / Faber range hoods should always be serviced in the home in their original installation.

Franke / Faber product replacements do not include liability for project delays. Product replacements are not guaranteed to be exact replacements. If the original product is not available at the time of the warranty claim, at Franke's option, the product replacements will be of similar size, material, and value. Any products or components which have been modified or altered, from its original intended condition will void the warranty.

The Warranties do not allow recovery of incidental or consequential damages such as loss of use, delay, property damage or other consequential damage, and Franke accepts no liability for such damages. Each Warranty is limited to the conditions set forth herein and to the applicable warranty period specified herein and is exclusive. EXCEPT FOR THE WARRANTIES SET FORTH HEREIN, FRANKE MAKES NO WARRANTY WHATSOEVER WITH RESPECT TO THE PRODUCTS, INCLUDING, BUT NOT LIMITED TO, (1) ANY WARRANTY OF MERCHANTABILITY, (2) WARRANTY OF FITNESS FOR A PARTICULAR PURPOSE, (3) WARRANTY OF TITLE, OR (4) WARRANTY AGAINST INFRINGEMENT OF INTELLECTUAL PROPERTY RIGHTS OF A THIRD PARTY, WHETHER EXPRESS OR IMPLIED BY LAW, COURSE OF DEALING, COURSE OF PERFORMANCE, USAGE OF TRADE OR OTHERWISE. LEGAL DISCLAIMER PLEASE READ CAREFULLY. Franke Kitchen Systems LLC provides the above information to you as a public service to our customers. By accessing and using this information, you agree to the following and to comply with all applicable laws. If you do not agree with these terms and conditions, do not use this information. While we try to keep the information current, changes may have occurred since its creation. Contact your Regional Manager or Customer Service to verify information regarding Franke Kitchen Systems LLC programs and their use by you.

Franke / Faber Range Hood Limited Warranty:

Franke / Faber range hoods are warranted against any defect in materials or workmanship for the original purchaser for a period of two (2) years from the date of original purchase when used in standard residential indoor applications. This warranty covers labor and replacement parts. Franke, at its option, may repair or replace the product or components necessary to restore the product to good working condition.



This warranty supersedes all other warranties, expressed or implied. No employee, field sales representatives, or distribution persons are authorized to give any warranties on behalf of Franke Kitchen Systems, LLC

To make an installed product warranty claim please contact Franke at the provided contact information below. All warranty claims must include the following for processing:

1. Proof of purchase from Franke or Faber Authorized Retailer
2. Original purchaser's name, address (included city, state, zip), email address and phone number
3. Franke / Faber model and serial number
4. Date of installation
5. Description of the defect
6. Photos of the defect

In North America and Latin America:

Franke Home Solutions
Attn: Warranty Department
800 Aviation Parkway
Smyrna, TN 37167
HS-Warranty.US@Franke.com

Legal Entity:
Franke Kitchen Systems LLC

CONTENU

Section	Page
Consignes de sécurité importantes	29
Dmensions de la hotte	32
Exigences en matière de hauteur d'installation	34
Pièces	35
Outils nécessaires	37
Méthode de ventilation	38
Préparation de l'armoire	39
Installation de la bande de garniture arrière	40
Choix de la méthode de ventilation	43
Fixation de la ventilation : option 1 - ventilation arrière ou supérieure	44
Ventilation de la fixation : option 2 - recirculation non canalisée	45
Raccordement au réseau électrique de la maison	46
Utilisation des commandes	48
Nettoyage de l'acier inoxydable	49
Entretien des filtres	50
Remplacement du filtre à charbon actif	51
Remplacement des ampoules	52
Schéma de câblage	53
Garantie	54

CONSIGNES DE SÉCURITÉ IMPORTANTES

LISEZ ET SAUVEGARDEZ CES CONSIGNES AVANT DE COMMENCER L'INSTALLATION DE CETTE Hotte de cuisinière

AVERTISSEMENT : - POUR RÉDUIRE LE RISQUE D'UN FEU DE GRAISSE SUR LA CUISINIÈRE :

- a) Ne laissez jamais les unités de surface sans surveillance à des valeurs de réglage élevés. Les débordements provoquent des fumées et peuvent s'enflammer s'ils sont gras. Faites chauffer les huiles lentement à feu doux ou moyen.
- B) Mettez toujours la hotte EN MARCHÉ lorsque vous cuisinez à feu vif ou lorsque vous flambez des mets (par exemple, des crêpes Suzette, des cerises Jubilé, du bœuf au poivre flambé).
- C) Nettoyez fréquemment les ventilateurs. La graisse ne doit pas s'accumuler sur le ventilateur ou le filtre.
- d) Utilisez une casserole de taille appropriée. Utilisez toujours des ustensiles de cuisson adaptés à la taille de l'élément de surface.

AVERTISSEMENT : - POUR RÉDUIRE LES RISQUES DE BLESSURES EN CAS DE FEU DE GRAISSE SUR LE DESSUS DE LA CUISINIÈRE, RESPECTEZ LES CONSIGNES SUIVANTES* :

- a) **ÉTOUFFEZ LES FLAMMES** avec un couvercle hermétique, une plaque à biscuits ou un plateau métallique, puis éteignez le brûleur. **VEILLEZ À ÉVITER LES BRÛLURES.** Si les flammes ne s'éteignent pas immédiatement, **ÉVACUEZ ET APPELEZ LES POMPIERS.**
- B) Ne **RAMASSEZ JAMAIS UNE CASSEROLE ENFLAMMÉE** - Vous pourriez vous brûler.
- c) **N'UTILISEZ PAS D'EAU**, y compris des torchons ou des serviettes humides - une violente explosion de vapeur en résulterait.
- d) Utilisez un extincteur **UNIQUEMENT** si :
 1. Vous savez que vous avez un extincteur de classe ABC et vous savez déjà comment l'utiliser.
 2. Le feu est petit et limité dans la zone où il s'est déclenché.
 3. Les pompiers ont été appelés.
 4. Vous pouvez combattre le feu en tournant le dos à une sortie.

* Basé sur les « Conseils de sécurité pour la cuisine » publié par l'ANPI

AVERTISSEMENT - POUR RÉDUIRE LE RISQUE D'INCENDIE OU DE CHOC ÉLECTRIQUE, n'utilisez pas ce ventilateur avec un dispositif de contrôle de vitesse à semi-conducteurs.

AVERTISSEMENT - POUR RÉDUIRE LES RISQUES D'INCENDIE, DE CHOC ÉLECTRIQUE OU DE BLESSURE, RESPECTEZ LES CONSIGNES SUIVANTES :

1. N'utilisez cet appareil que conformément aux instructions du fabricant. Si vous avez des questions, contactez le fabricant.
2. Avant de procéder à l'entretien ou au nettoyage de l'appareil, coupez l'alimentation électrique au niveau du panneau de service et verrouillez le dispositif de déconnexion de service pour éviter toute remise sous tension accidentelle. Lorsque vous ne pouvez pas verrouiller le dispositif de déconnexion du service, fixez solidement un dispositif d'avertissement bien visible, tel qu'une étiquette, sur le panneau de service.

ATTENTION : Pour une utilisation générale de ventilation seulement. Ne l'utilisez pas pour évacuer des matières et des vapeurs dangereuses ou explosives.

AVERTISSEMENT - POUR RÉDUIRE LES RISQUES D'INCENDIE, DE CHOC ÉLECTRIQUE OU DE BLESSURE, RESPECTEZ LES CONSIGNES SUIVANTES :

1. Confiez les travaux d'installation et le câblage électrique à une ou plusieurs personnes qualifiées, conformément à tous les codes et normes en vigueur, y compris les constructions résistantes au feu.
2. Une quantité suffisante d'air est nécessaire pour une bonne combustion et l'évacuation des gaz par le conduit (cheminée) de l'équipement de combustion afin d'éviter le refoulement. Suivez les directives du fabricant de l'équipement de chauffage et les normes de sécurité telles que celles publiées par la National Fire Protection Association (NFPA) et l'American Society for Heating, Refrigeration and Air Conditioning Engineers (ASHRAE), ainsi que les autorités locales chargées du code.

3. **Lorsque vous coupez ou percez un mur ou un plafond, n'endommagez pas le câblage électrique et les raccordements aux services utilitaires cachés.**
4. **Les ventilateurs à conduit doivent toujours être évacués vers l'extérieur.**

TOUTES LES OUVERTURES DANS LES MURS ET LES PLANCHERS où la hotte EST INSTALLÉE DOIVENT ÊTRE SCELLÉES.

Cette hotte nécessite un dégagement d'au moins 24 pouces entre le bas de la hotte et la surface de cuisson ou le comptoir. Elle a été approuvée par les LA à cette distance de la table de cuisson. Ce dégagement minimum peut être plus élevé selon les codes du bâtiment locaux. Pour les tables de cuisson au gaz et les cuisinières combinées, un minimum de 30 pouces est recommandé et peut être exigé.

Les armoires suspendues des deux côtés de l'appareil doivent se trouver à au moins 18 pouces au-dessus de la surface de cuisson ou du comptoir. Consultez les instructions d'installation de la table de cuisson ou de la cuisinière données par le fabricant avant de faire des coupes.

INSTALLATION DANS DES MOBIL-HOMES L'installation de cette hotte de cuisine doit être conforme aux normes de construction et de sécurité des maisons mobiles, titre 24 CFR, partie 3280 (anciennement norme fédérale pour la construction et la sécurité des mobil-homes, titre 24, HUD, partie 280). Voir la section Exigences électriques"

EXIGENCES EN MATIÈRE DE VENTILATION

Déterminez la méthode de ventilation qui convient le mieux à votre application. Les conduits peuvent passer soit par le mur, soit par le toit.

La longueur des conduits et le nombre de coudes doivent être réduits au minimum pour assurer une performance efficace. La taille des conduits doit être uniforme. N'installez pas deux coudes ensemble. Utilisez du ruban adhésif pour sceller tous les joints du système de conduits. Utilisez du calfeutrage pour sceller l'ouverture du mur extérieur ou du plancher autour du capuchon.

Les conduits flexibles ne sont pas recommandés. Ils créent une contre-pressure et des turbulences d'air qui réduisent considérablement les performances.

Assurez-vous qu'il y a un dégagement approprié dans le mur ou le plancher pour le conduit d'évacuation avant de faire des coupes. Ne coupez pas une solive ou un montant à moins que cela ne soit absolument nécessaire. Si vous devez couper une solive ou un montant, veuillez construire un cadre de support.

AVERTISSEMENT - Pour réduire les risques d'incendie, utilisez uniquement des conduits métalliques.

ATTENTION - Pour réduire les risques d'incendie et pour évacuer correctement l'air, assurez-vous de canaliser l'air vers l'extérieur - Ne faites pas passer l'air évacué dans des espaces à l'intérieur des murs ou des plafonds ou dans des greniers, des vides sanitaires ou des garages.

AVERTISSEMENT : Pour réduire les risques d'incendie, d'électrochoc ou de blessure, n'utilisez pas de pièces de rechange non préconisées par le fabricant (par exemple, des pièces bricolées à la maison à l'aide d'une imprimante 3D).



AVERTISSEMENT

- Le système de ventilation DOIT se terminer à l'extérieur de la maison.
- **NE PAS** faire aboutir le conduit dans un grenier ou un autre espace fermé.
- **NE PAS** Utiliser de capuchons muraux de 4 pouces de type blanchisserie.
- Les conduits de type flexible ne sont pas recommandés.
- **NE PAS** obstruer le flux d'air de combustion et de ventilation.
- Le non-respect des exigences en matière de ventilation peut entraîner un incendie.

Installations par temps froid

Veillez installer un clapet anti-retour supplémentaire pour minimiser le retour de l'air froid ainsi qu'un dispositif de coupure thermique non métallique pour minimiser la conduction des températures extérieures dans le système de ventilation. Le clapet doit se trouver du côté de l'air froid de la coupure thermique. La coupure doit être aussi près que possible de l'endroit où le système de ventilation entre dans la partie chauffée de la maison.

EXIGENCES ÉLECTRIQUES

Une alimentation électrique de 120 volts, 60 Hz, uniquement en CA, est requise sur un circuit séparé à fusible de 15 ampères. Nous recommandons un fusible à retardement ou un disjoncteur. Le fusible doit être dimensionné en fonction des codes locaux et de la puissance électrique de l'appareil, comme indiqué sur la plaque signalétique située à l'intérieur de l'appareil, près du compartiment de câblage.



AVERTISSEMENT

- Une mise à la terre électrique est requise sur cette hotte.
- Si le tube d'eau froide est interrompu par du plastique, des joints non métalliques ou d'autres matériaux, NE l'utilisez PAS pour la mise à la terre.
- NE mettez PAS à la terre un tube de gaz.
- N'ayez PAS de fusible dans le circuit neutre ou de mise à la terre. Un fusible dans le circuit neutre ou de mise à la terre pourrait provoquer un choc électrique.
- Vérifiez auprès d'un électricien qualifié si vous avez des doutes quant à la mise à la terre de la hotte.
- Le non-respect des exigences électriques peut entraîner un incendie.

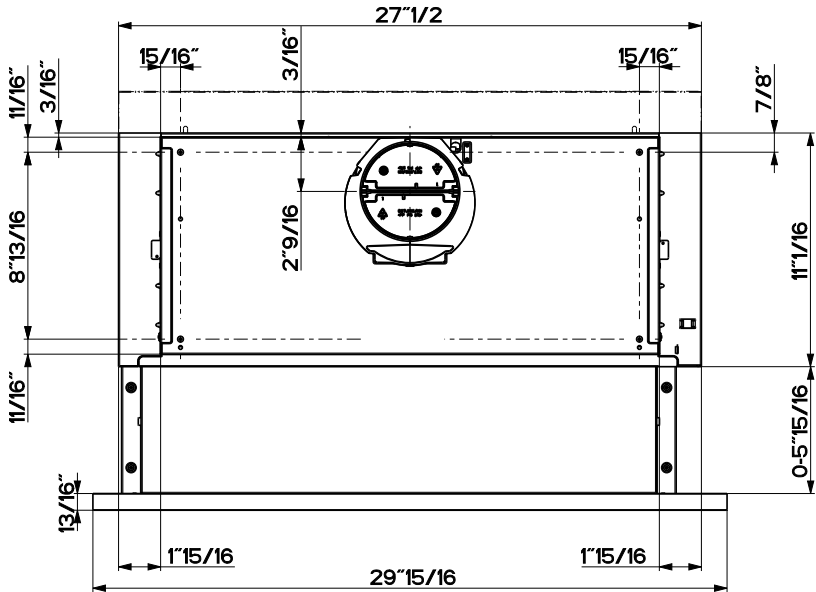
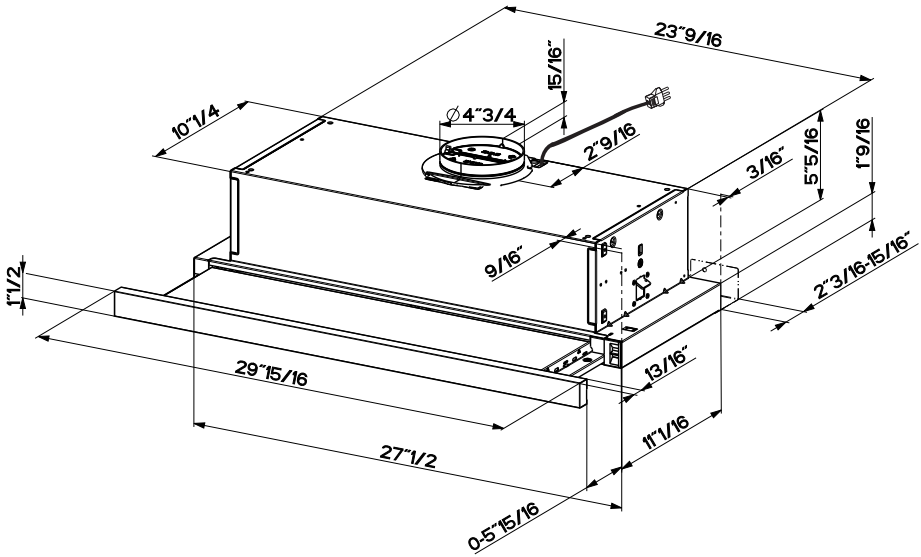
Avertissement de la Proposition 65 de l'État de Californie (États-Unis uniquement)

⚠ AVERTISSEMENT

Ce produit contient des produits chimiques reconnus par l'État de Californie comme pouvant causer un cancer, des anomalies congénitales ou d'autres problèmes de reproduction.

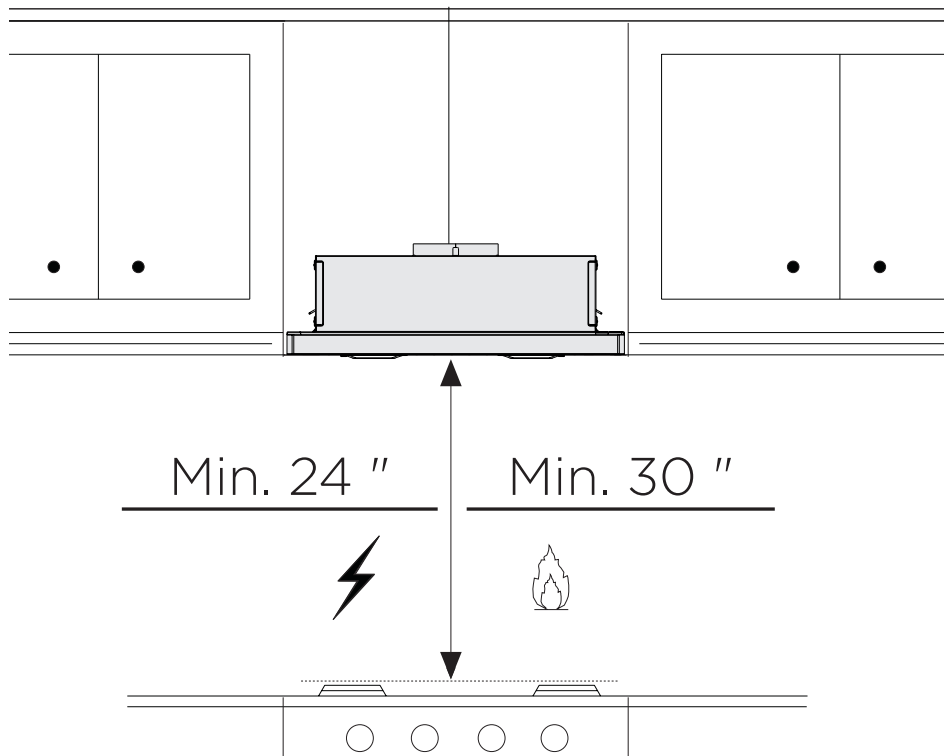
Pour plus d'informations, consultez le site www.P65Warnings.ca.gov

HOTTE DE CUISINE 30 POUCES



EXIGENCES EN MATIÈRE DE HAUTEUR D'INSTALLATION



MIN. 24 POUCES AU-DESSUS DE L'ÉLECTRICITÉ /
MIN. 30 POUCES AU-DESSUS DU GAZ

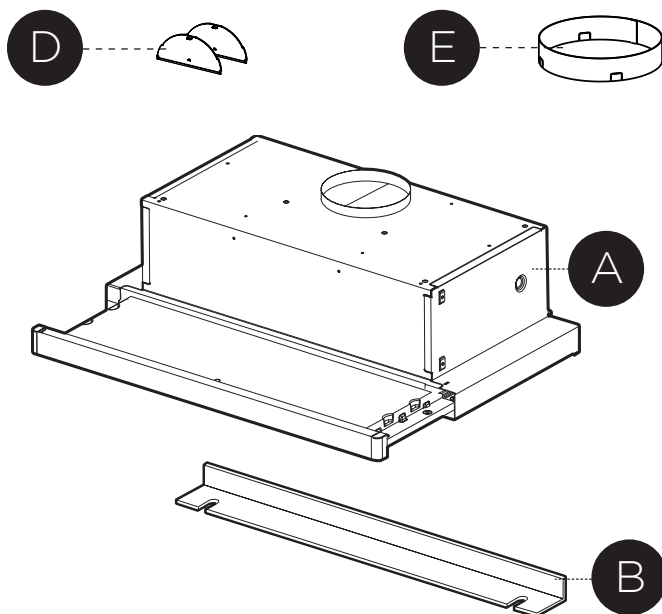


PIÈCES

PIÈCES INCLUSES



RÉF.	PIÈCE	QTÉ
A	Corps de la hotte	1
B	Bande de garniture arrière	1
D	Volets du clapet	2
E	Anneau métallique	1

RÉF	PIÈCE			
F	Vis Pozi (3/16 " x 1/2 ")			2



PIÈCES (suite)








PIÈCES NÉCESSAIRES

PIÈCE	
Conduit métallique rond de 5 pouces	
Ruban d'aluminium	

ACCESSOIRES DISPONIBLES

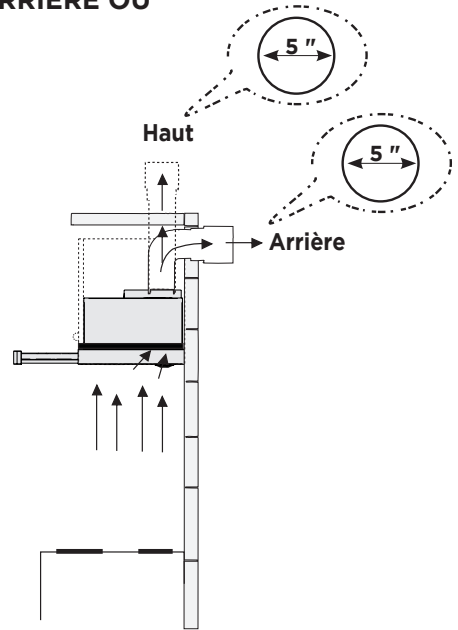
ACCESSOIRES	SKU#
Kit de filtre à charbon actif	#FILTER7

OUTILS NÉCESSAIRES

OUTIL	
Mètre ruban	
Crayon	
Perceuse électrique avec mèche de 5 / 16 pouces	
Tournevis Phillips	
Tournevis Pozi	
Ciseaux à métaux	
Gants de travail	

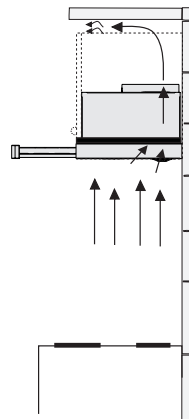
MÉTHODE DE VENTILATION

1 Option 1 : VENTILATION PAR L'ARRIÈRE OU PAR LE HAUT



Option 2 : RECIRCULATION

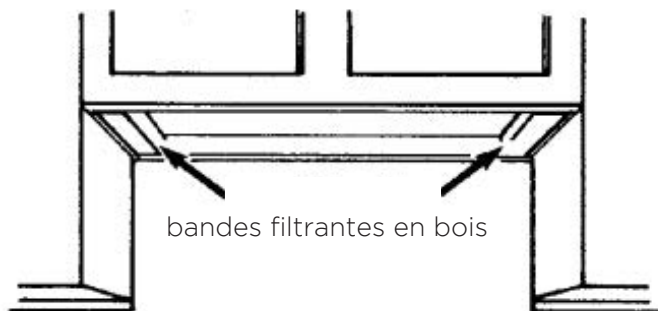
Nécessite l'achat du kit d'accessoires pour charbon actif.



PRÉPARATION DE L'ARMOIRE

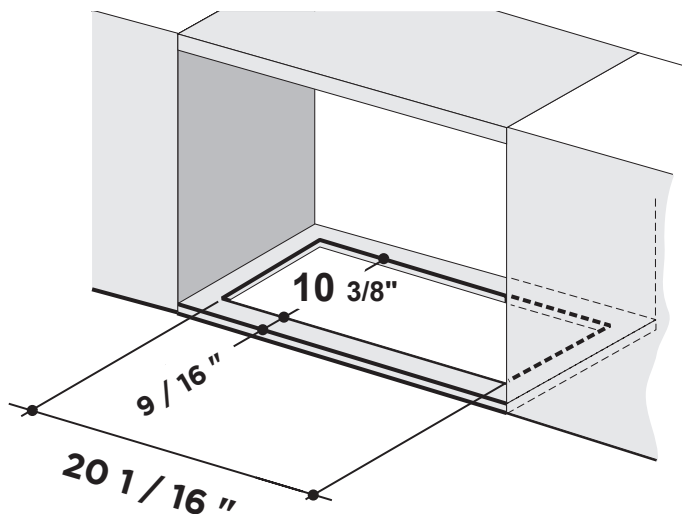
FIXATION DE LA HOTTE À L'ARMOIRE

- 1 Vous pouvez installer la hotte directement sur le dessous de l'armoire.
- 2 Si le fond de l'armoire est en retrait, vous devez installer des blocs de bois pour assurer un alignement correct avec le fond de l'armoire. Les blocs de bois doivent être alignés ou encastrés de $1/16$ pouces à $1/8$ pouces dans le fond de l'armoire, comme illustré.

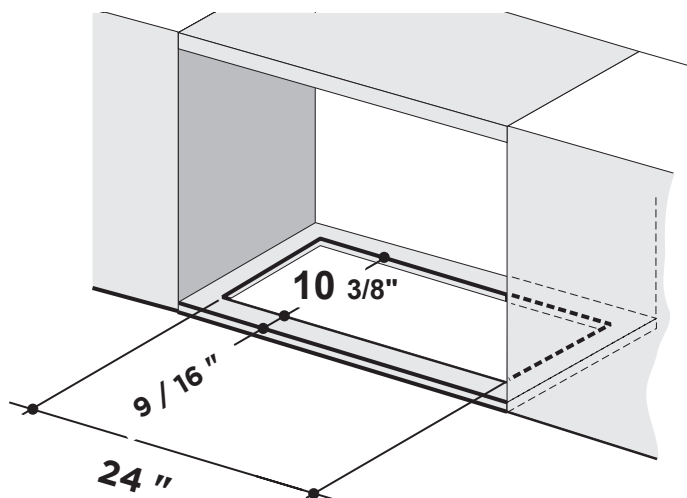


- 3 Créez une découpe dans le fond de l'armoire comme indiqué sur l'illustration.

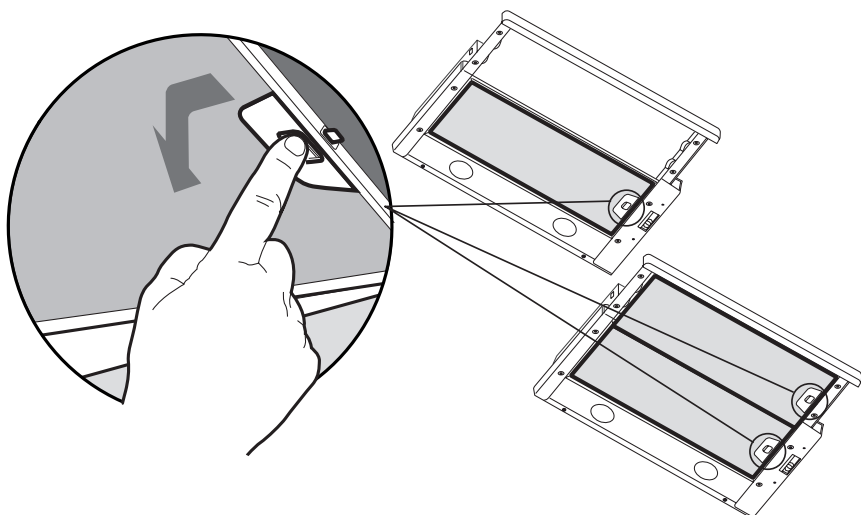
HOTTE DE CUISINE 24 POUCES



HOTTE DE CUISINE 30 POUCES

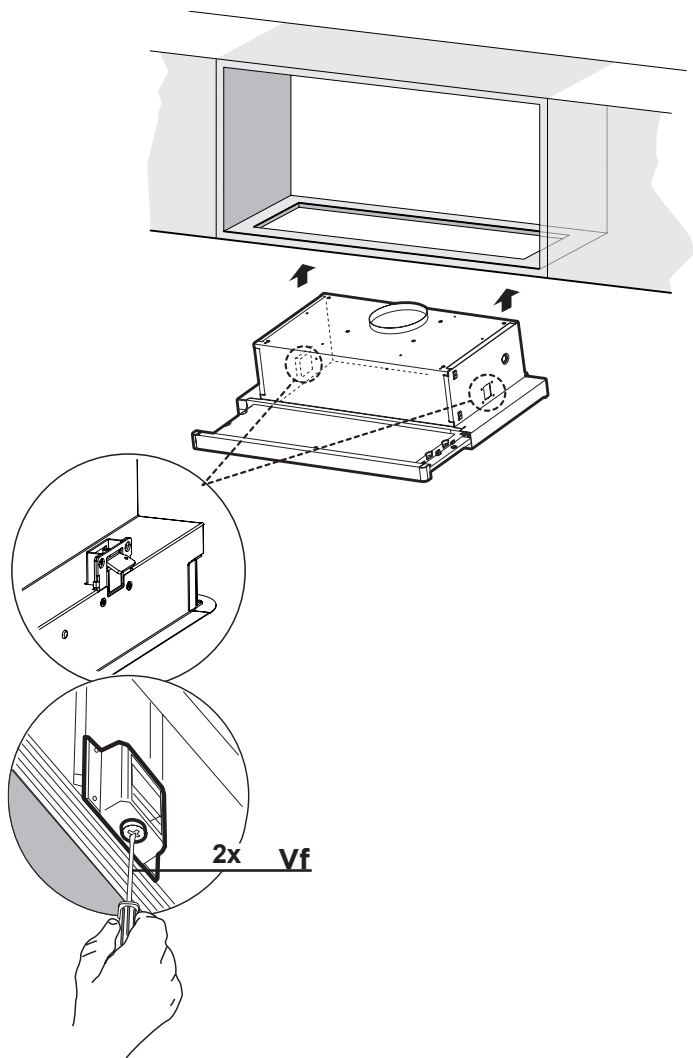


- 4 Retirez les filtres à graisse en poussant la languette de dégagement vers le côté de la hotte.



5

Insérez la hotte dans la découpe jusqu'à ce que les clips d'installation latéraux s'enclenchent. Verrouillez la hotte en position en serrant les 2 vis **Vf** par le dessous.

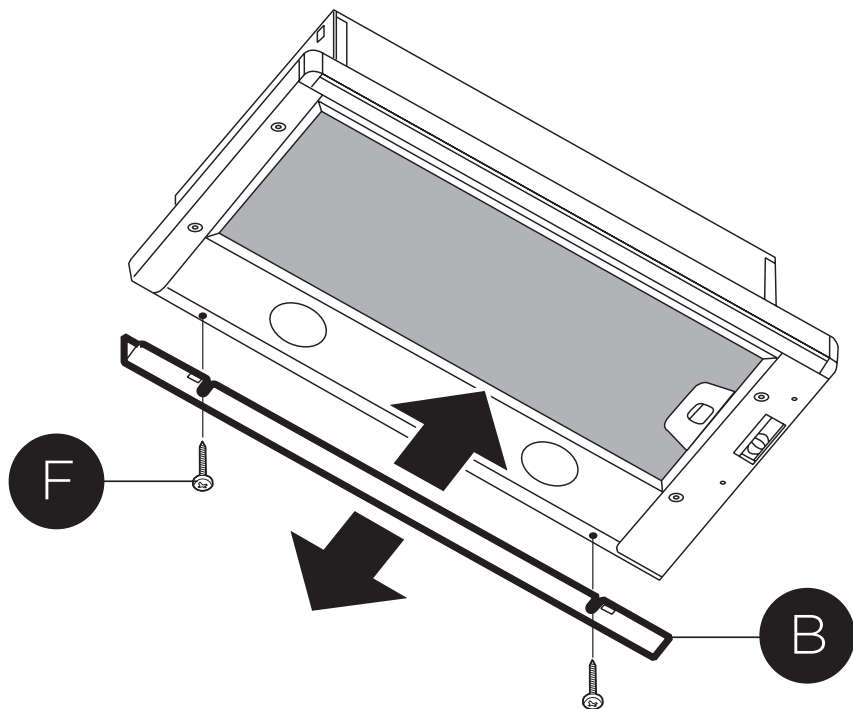


Tournevis Phillips



INSTALLATION DE LA BANDE DE GARNITURE ARRIÈRE

- 1 Une bande de garniture arrière **B** est incluse pour dissimuler le dessous de l'armoire exposée restante. Fixez la bande en vinyle au bas de l'arrière de la hotte à l'aide des deux vis **F** fournies.



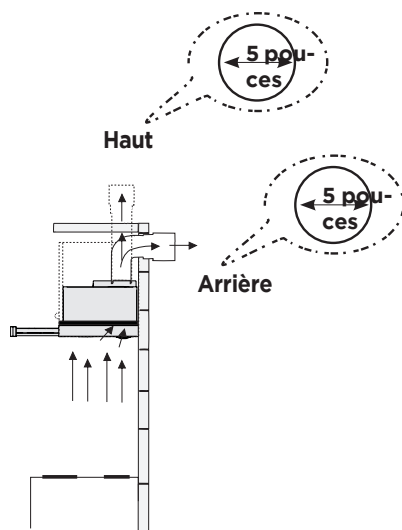
Tournevis Pozi



CHOIX DE LA MÉTHODE DE VENTILATION

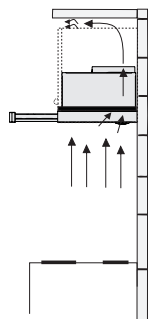
5

Option 1 : VENTILATION PAR L'ARRIÈRE OU PAR LE HAUT



Allez à la page 43

Option 2 : RECIRCULATION

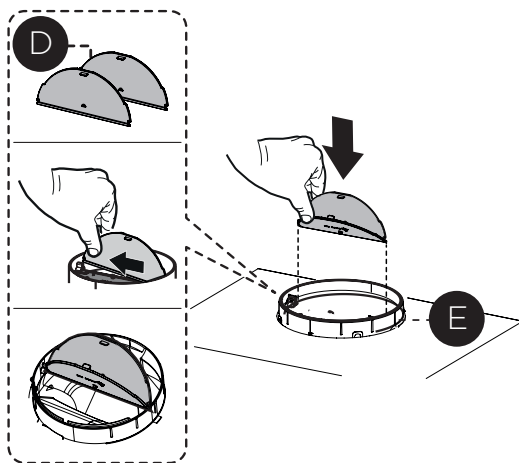


Nécessite l'achat du kit d'accessoires pour charbon actif.

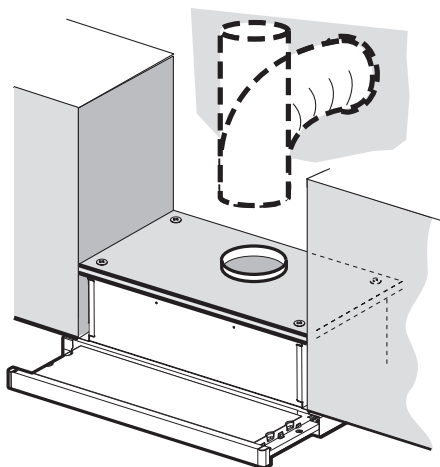
Allez à la pg.44

VENTILATION DE LA FIXATION : OPTION 1 - VENTILATION ARRIÈRE OU SUPÉRIEURE

- 1 Installez l'anneau de clapet en métal **E** fourni avec la hotte. Installez ensuite les volets du clapet **D** en enclenchant les languettes à l'intérieur du haut de la hotte avant de raccorder les conduits.



- 2 Installez le capuchon de toit ou de mur acheté séparément. Raccordez le conduit métallique de 5 pouces au capuchon de toit ou de mur, puis fixez le conduit. Scellez avec du ruban adhésif.



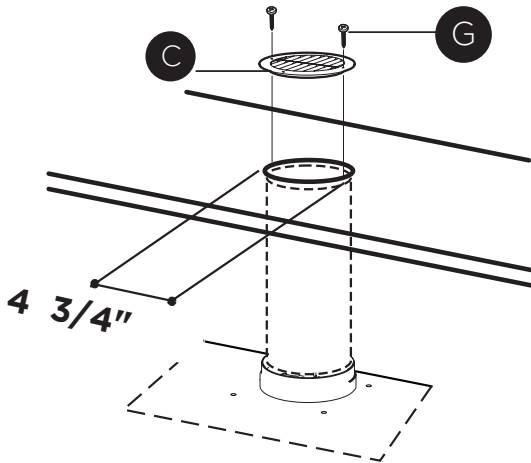
VENTILATION DE LA FIXATION : OPTION 2 - RECIRCULATION SANS CONDUIT

1

Pour l'évent de recirculation sans conduit, acheminez le conduit à un endroit au-dessus de la hotte où l'évacuation est renvoyée dans la pièce.

Exiger un achat local de la grille d'évent de recirculation **C** pour couvrir l'ouverture et fixez la grille à l'aide des 2 vis **G** ne fournies pas.

Veillez utiliser un conduit rond droit de 5 pouces d'au moins 15 pouces de long pour conduire l'air du haut de la sortie d'évacuation de la hotte vers la sortie de l'armoire située au-dessus.



Accessoire nécessaire pour le filtre à
charbon actif - sku # - FILTER7



RACCORDEMENT AU RÉSEAU ÉLECTRIQUE DE LA MAISON

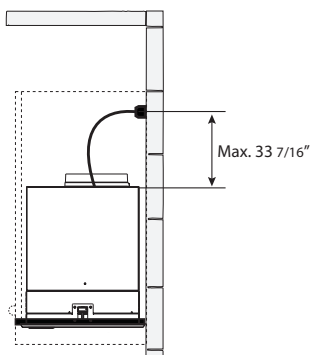
6

INSTALLATION ÉLECTRIQUE AVEC CÂBLE DE CONNEXION

INSTRUCTIONS DE MISE A LA TERRE. Cet appareil doit être mis à la terre. En cas de court-circuit électrique, la mise à la terre réduit le risque de choc électrique en fournissant un fil d'échappement pour le courant électrique. Cet appareil est équipé d'un cordon comportant un fil de mise à la terre avec prise de terre. La fiche doit être branchée dans une prise de courant correctement installée avec mise à la terre.

AVERTISSEMENT - Une mise à la terre incorrecte peut entraîner un risque de choc électrique.

Consultez un électricien qualifié si vous ne comprenez pas parfaitement les instructions de mise à la terre ou si vous avez des doutes quant à la mise à la terre de l'appareil. N'utilisez pas de rallonge électrique. Si le cordon d'alimentation est trop court, demandez à un électricien qualifié d'installer une prise à proximité de l'appareil.



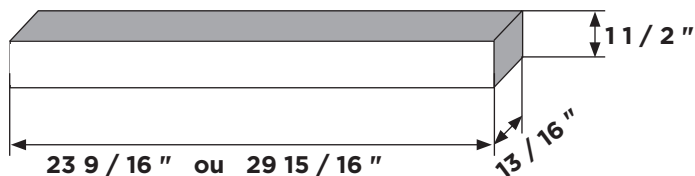
Le cordon d'alimentation doit être accessible pour inspection après l'installation.

OPTION DE GARNITURE AVANT PERSONNALISÉE

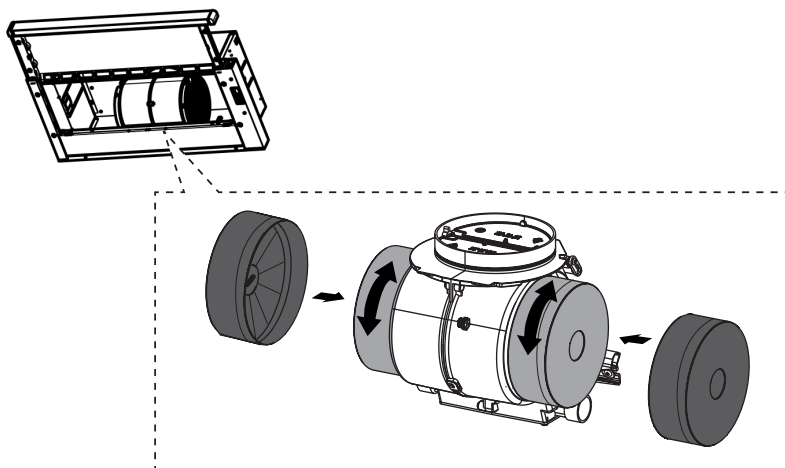
Cette hotte est livrée avec une garniture avant en acier inoxydable installée. Pour remplacer et personnaliser ce panneau, retirez les filtres à graisse et les trois vis Phillips situées derrière la bande. Si nécessaire, la bande avant peut être ajustée en desserrant les trois vis Phillips et en faisant glisser la bande vers le haut ou vers le bas.

Serrez les vis lorsque vous avez placé la bande correctement.

Pour une bande frontale personnalisée, un magasin d'ébénisterie locale peut fabriquer une bande assortie à vos armoires. Les dimensions de la bande frontale sont indiquées dans l'illustration.



7 POUR L'OPTION DE RECIRCULATION SANS CONDUIT

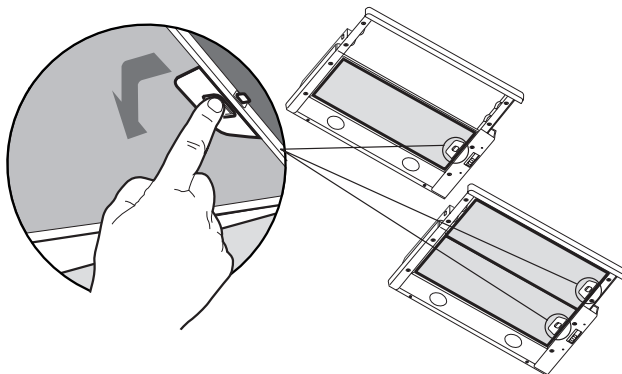


Fixez chaque filtre à charbon à la grille noire de chaque côté du ventilateur. Appuyez fermement le filtre à charbon sur la grille noire du côté du ventilateur et tournez le filtre dans le sens horaire (vers l'avant de la hotte) jusqu'à ce qu'il se verrouille en place. Tournez dans le sens antihoraire (vers l'arrière de la hotte) pour le retirer (pour plus de détails, voir le paragraphe **Remplacement et insertion du filtre à charbon**)

Accessoire nécessaire pour le filtre à charbon actif - sku # - FILTER7



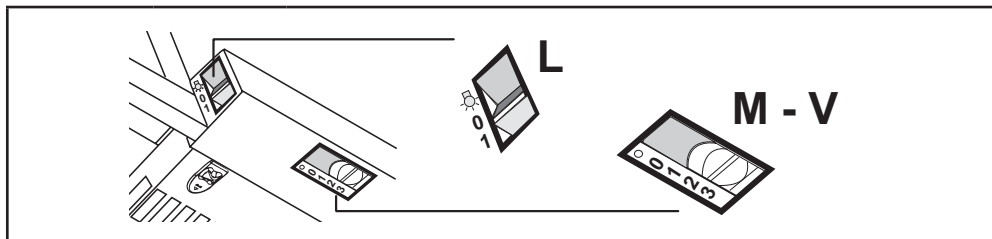
8 Réinstallez les filtres à graisse retirés précédemment.



UTILISATION DES COMMANDES

POUR DE MEILLEURS RÉSULTATS

Mettez la hotte en marche plusieurs minutes avant la cuisson pour assurer une bonne circulation de l'air. Laissez la hotte fonctionner pendant plusieurs minutes après la fin de la cuisson pour évacuer la fumée et les odeurs de la cuisine.



Toutes les commandes sont situées sur le côté droit de la hotte.

L	Lumière	L'interrupteur marche / arrêt de la lumière est situé derrière la garniture avant. Placez l'interrupteur sur la position 1 pour allumer la lumière. En plaçant l'interrupteur sur la position 0, la lumière s'éteint.
M-V	Moteur / vitesse	Le M-V indique l'interrupteur de contrôle de la vitesse du ventilateur. En plaçant l'interrupteur sur la position 1, le ventilateur se met en mode LOW. En plaçant l'interrupteur sur la position 2, le ventilateur se met en mode MEDIUM. En plaçant l'interrupteur sur la position 3, le ventilateur se met en mode HIGH. En plaçant le commutateur sur la position 0, le ventilateur s'éteint.

Fonctionnement automatique

Tant que les interrupteurs du ventilateur et de la lumière sont activés, le ventilateur et la lumière fonctionnent automatiquement lorsque la visière est ouverte et s'éteignent lorsque la visière est fermée.

NETTOYAGE DE L'ACIER INOXYDABLE

Nettoyage des surfaces extérieures :

Veillez noter que les abrasifs et les agents de récurage peuvent rayer les finitions de la hotte et ne doivent pas être utilisés pour nettoyer les surfaces de finition.

Instructions de nettoyage de la finition en acier inoxydable :

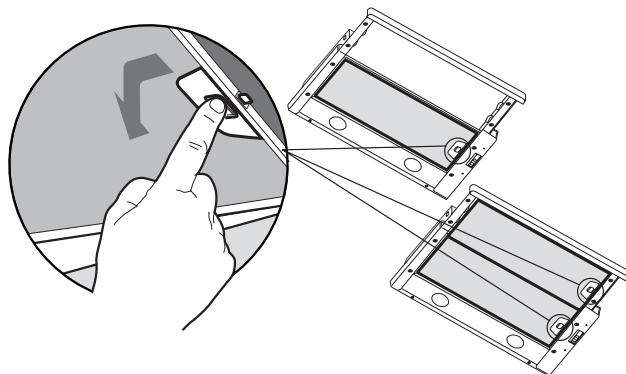
Nettoyez les surfaces extérieures avec un nettoyant pour acier inoxydable disponible dans le commerce.

ENTRETIEN DES FILTRES

NETTOYAGE DES FILTRES À GRAISSE MÉTALLIQUES

Les filtres à graisse métalliques peuvent être nettoyés dans une solution détergente chaude ou lavés au lave-vaisselle. Ils doivent être nettoyés tous les 2 mois d'utilisation, ou plus fréquemment si l'utilisation est particulièrement intensive.

1. Retirez le panneau d'aspiration coulissant.
2. Retirez les filtres à graisse en poussant la languette de dégagement vers le côté de la hotte.
3. Lavez le filtre sans le plier, laissez-le sécher complètement avant de le remettre en place (si la surface du filtre change de couleur avec le temps, cela n'a absolument aucune incidence sur son efficacité).
4. Remettez-le en place en veillant à ce que la poignée soit orientée vers l'avant.
5. Le nettoyage au lave-vaisselle peut ternir la finition du filtre à graisse métallique.
6. Fermez le panneau d'aspiration coulissant.
7. Séchez complètement les filtres avant de les réinstaller dans la hotte. L'eau ne doit pas être piégée dans le filtre avant sa réinstallation.

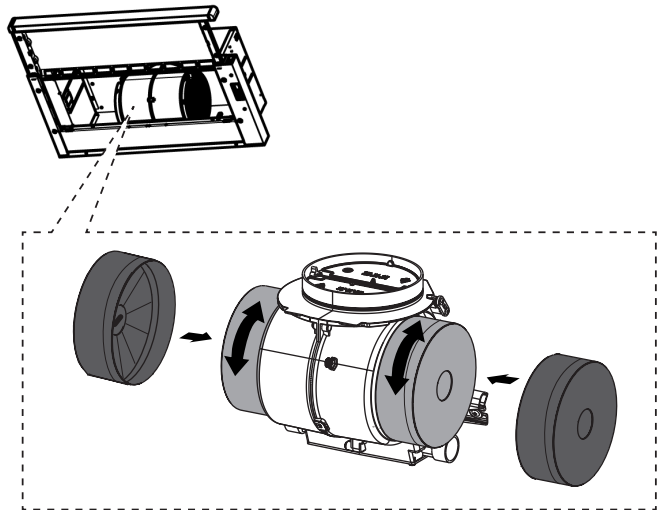


REEMPLACEMENT DU FILTRE À CHARBON ACTIF

Les filtres à charbon actif (FILTER7) ne sont pas lavables et ne peuvent pas être régénérés, et doivent être remplacés environ tous les 4 mois de fonctionnement, ou plus fréquemment en cas d'utilisation intensive.

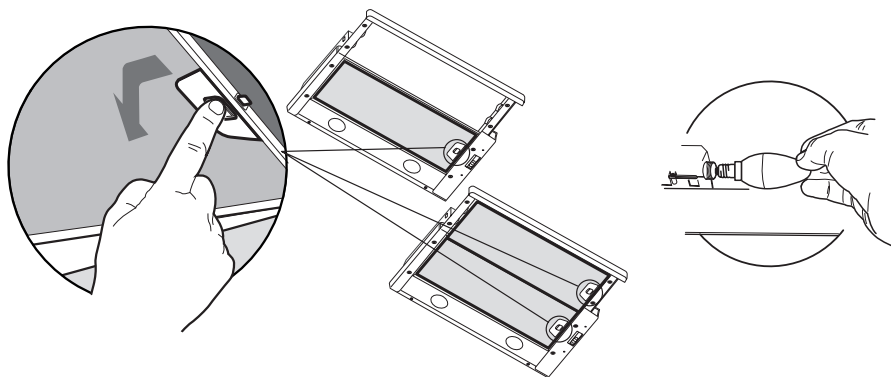
1. Retirez le panneau d'aspiration coulissant.
2. Retirez les filtres à graisse en poussant la languette de dégagement vers le côté de la hotte.
3. Retirez le filtre à charbon saturé en relâchant les crochets de fixation.
4. Mettez en place le nouveau filtre en l'accrochant dans son logement.
5. Remettez le filtre en place en veillant à ce que la poignée soit orientée vers l'avant.
6. Fermez le panneau d'aspiration coulissant.

ATTENTION : En cas d'utilisation en mode recirculation, pour réduire les risques d'incendie et de choc, utilisez uniquement le kit de conversion modèle FILTER7.



REPLACEMENT DES AMPOULES

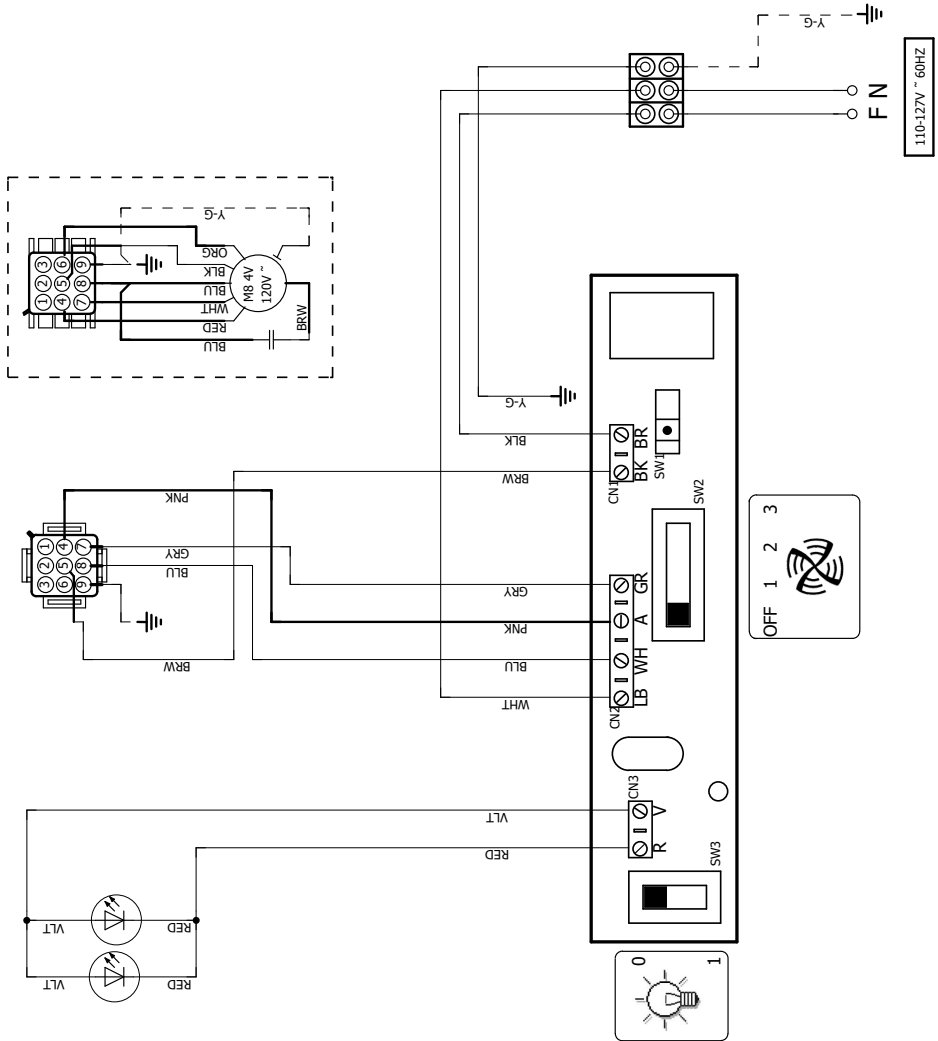
1. Retirez le panneau d'aspiration coulissant.
2. Retirez le filtre.
3. Remplacez l'ampoule par une nouvelle du même type.
4. Remplacez les filtres à graisse.



Lampes à led E12 auto-ballastées -
listées conformément à la norme ul
1993 / nmxj-578 / 1-ance / csa c22.2
No. 1993



SCHEMA DE CÂBLAGE



GARANTIE



Garantie Franke Home Solutions pour les produits de marque Franke et Faber en vigueur le 1er mars 2022

Aux États-Unis, au Canada et en Amérique latine, Franke garantit les produits de la marque Faber contre les défauts de fabrication des matériaux et de la fabrication lorsqu'ils sont achetés auprès d'un revendeur agréé Franke ou Faber conformément aux garanties spécifiques aux produits détaillées dans le présent document (chacune, une « garantie » et collectivement, les « garanties »). Les produits doivent être correctement installés, conformément aux instructions d'installation de Franke, dans leur installation d'origine, et utilisés dans des applications de cuisine résidentielles intérieures normales. Tout produit ou composant qui a été modifié ou altéré par rapport à son état d'origine annulera la garantie. Les garanties Franke pour les produits de marque Faber sont limitées à l'acheteur d'origine et ne sont pas transférables. Ces garanties n'incluent pas les produits achetés auprès de revendeurs non agréés, les produits obsolètes ou abandonnés, ou les produits qui étaient des modèles précédemment affichés. Tous les problèmes avec les produits installés sont considérés comme des demandes de garantie et ne sont pas soumis à la politique de retour. Franke se réserve le droit d'inspecter tout produit Franke/Faber signalé comme défectueux en vertu d'une réclamation au titre de la garantie et de l'installation d'origine avant de fournir un produit et/ou un composant de remplacement. Toutes les décisions sont finales. La responsabilité de Franke ne pourra en aucun cas dépasser le montant du prix d'achat initial.

Les garanties ne couvrent pas, et Franke ne sera pas tenue responsable, de tout dommage aux produits ou composants résultant d'une mauvaise utilisation ou d'un abus, de dommages accidentels, d'une usure normale telle que des éraflures, des rayures ou d'une réduction/décoloration du fini, d'une installation incorrecte, d'une utilisation anormale, d'une négligence, des dommages causés par un entretien ou un nettoyage inapproprié. Les dommages causés par des impuretés, des produits chimiques corrosifs ou des actes indépendants de la volonté de Franke ne sont couverts par aucune garantie. Les appels de service pour corriger l'installation d'une hotte de cuisinière, les instructions sur la façon de faire fonctionner une hotte de cuisinière, pour remplacer ou réparer les fusibles de la maison ou pour corriger le câblage ou la plomberie de la maison ne sont couverts par aucune garantie. Les appels de service pour réparer ou remplacer les ampoules, les fusibles ou les filtres de la hotte de cuisinière et ces coûts de pièces consommables sont également exclus de la couverture de la garantie. Une installation non conforme aux codes électriques ou de plomberie ou à la documentation Franke/Faber n'est couverte par aucune garantie. Les pièces de rechange ou les coûts de main-d'œuvre de réparation pour les unités utilisées à l'extérieur des États-Unis, du Canada ou de l'Amérique latine, y compris les hottes de cuisinière Franke/Faber non approuvées UL ou C-UL ou NOM, sont exclus de la couverture de la garantie. Les frais de déplacement et de transport pour l'entretien dans des endroits éloignés et les frais de ramassage et de livraison ne sont couverts par aucune garantie. Les hottes de cuisinière Franke/Faber doivent toujours être entretenues à domicile dans leur installation d'origine.

Les remplacements de produits Franke/Faber n'incluent pas la responsabilité pour les retards de projet. Les remplacements de produits ne sont pas garantis comme étant des remplacements exacts. Si le produit d'origine n'est pas disponible au moment de la demande de garantie, à la discrétion de Franke, les produits de remplacement seront de taille, de matériau et de valeur similaires. Tout produit ou composant qui a été modifié ou altéré par rapport à son état d'origine annulera la garantie.

Les garanties n'autorisent pas le recouvrement des dommages indirects ou consécutifs tels que la perte d'utilisation, le retard, les dommages matériels ou autres dommages consécutifs, et Franke décline toute responsabilité pour ces dommages. Chaque garantie est limitée aux conditions énoncées dans le présent document et à la période de garantie applicable spécifiée dans le présent document et est exclusive. À L'EXCEPTION DES GARANTIES ÉNONCÉES DANS LE PRÉSENT DOCUMENT, FRANKE N'OFFRE AUCUNE GARANTIE CONCERNANT LES PRODUITS, Y COMPRIS, MAIS SANS S'Y LIMITER, (1) TOUTE GARANTIE DE QUALITÉ MARCHANDE, (2) GARANTIE D'ADÉQUATION À UN USAGE PARTICULIER, (3) GARANTIE DE TITRE DE PROPRIÉTÉ, OU (4) GARANTIE CONTRE LA VIOLATION DES DROITS DE PROPRIÉTÉ INTELLECTUELLE D'UN TIERS, QU'ELLE SOIT EXPRESSE OU IMPLICITE PAR LA LOI, LE COURS DES AFFAIRES, LE COURS DE L'EXÉCUTION, L'USAGE DU COMMERCE OU AUTREMENT. AVIS DE NON-RESPONSABILITÉ LÉGALE, VEUILLEZ

LIRE ATTENTIVEMENT. Franke Kitchen Systems LLC vous fournit les informations ci-dessus en tant que service public à nos clients. En accédant à ces informations et en les utilisant, vous acceptez ce qui suit et vous vous conformez à toutes les lois applicables. Si vous n'êtes pas d'accord avec ces termes et conditions, n'utilisez pas ces informations. Bien que nous essayions de maintenir l'information à jour, des changements peuvent avoir eu lieu depuis sa création. Contactez votre directeur régional ou le service client pour vérifier les informations concernant les programmes Franke Kitchen Systems LLC et leur utilisation par vous.

Garantie limitée des hottes de cuisinière Franke/Faber :

Les hottes de cuisinière Franke/Faber sont garanties contre tout défaut de matériaux ou de fabrication pour l'acheteur d'origine pendant une période de deux (2) ans à compter de la date d'achat d'origine lorsqu'elles sont utilisées dans des applications intérieures résidentielles normales. Cette garantie couvre la main-d'œuvre et les pièces de rechange. Franke, à sa discrétion, peut réparer ou remplacer le produit ou les composants nécessaires pour remettre le produit en bon état de fonctionnement.



Cette garantie remplace toutes les autres garanties, expresses ou implicites. Aucun employé, représentant commercial sur le terrain ou distributeur n'est autorisé à donner des garanties au nom de Franke Kitchen Systems, LLC.

Pour faire une réclamation au titre de la garantie d'un produit installé, veuillez contacter Franke aux coordonnées fournies ci-dessous. Toutes les réclamations de garantie doivent inclure les éléments suivants pour le traitement :

1. Preuve d'achat auprès d'un revendeur agréé Franke ou Faber
2. Nom, adresse (ville, état, code postal) de l'acheteur d'origine, adresse de courrier électronique et numéro de téléphone
3. Modèle et numéro de série Franke/Faber
4. Date d'installation
5. Description du défaut
6. Photos du défaut

En Amérique du Nord et en Amérique Latine :

Franke Home Solutions

À l'attention de : Warranty Department

800 Aviation Parkway

Smyrna, TN 37167

HS-Warranty.US@Franke.com

Raison sociale :

Franke Kitchen Systems LLC

CONTENIDOS

Sección	Página
Instrucciones importantes de seguridad	55
Dimensiones de la campana extractora	58
Requisitos de altura de la instalación	60
Piezas	61
Herramientas necesarias	65
Método de ventilación	63
Preparación del armario	64
Instalación de la moldura trasera	67
Elección del método de ventilación	68
Fijar la ventilación: opción 1 - ventilado trasero o superior	71
Fijar la ventilación: opción 2 - recirculación sin conductos	71
Conexión de la alimentación de la casa	72
Operación de los controles	73
Limpieza del acero inoxidable	74
Cuidado de los filtros	74
Reemplazo del filtro de carbón activado	75
Reemplazo de las bombillas	76
Diagrama de cableado	77
Garantía	78

INSTRUCCIONES IMPORTANTES DE SEGURIDAD

LEA Y GUARDE ESTAS INSTRUCCIONES ANTES DE EMPEZAR A INSTALAR ESTA CAMPANA EXTRACTORA

ADVERTENCIA: - PARA REDUCIR EL RIESGO DE INCENDIO POR GRASA EN LA ENCIMERA:

- a) Nunca deje las unidades de superficie desatendidas en ajustes altos. Los hervores causan humo y derrames de grasa que pueden encenderse. Caliente los aceites lentamente en la posición baja o media.
- b) Siempre ENCIENDA la campana cuando cocine a fuego alto o cuando flamee alimentos (por ejemplo, Crepes Suzette, Cherries Jubilee, Peppercorn Beef Flambé).
- c) Limpie los ventiladores con frecuencia. No se debe permitir que la grasa se acumule en el ventilador o en el filtro.
- d) Utilice el tamaño adecuado de las ollas. Utilice siempre utensilios de cocina apropiados para el tamaño de la superficie del elemento.

ADVERTENCIA: - PARA REDUCIR EL RIESGO DE LESIONES A LAS PERSONAS EN CASO DE INCENDIO DE LA GRASA DE LA ENCIMERA, OBSERVE LO SIGUIENTE*:

- a) APAGUE LAS LLAMAS con una tapa ajustada, una bandeja para galletas o una bandeja metálica, y luego apague el quemador. Tenga cuidado para evitar quemaduras. Si las llamas no se apagan inmediatamente EVACÚE Y LLAME AL DEPARTAMENTO DE BOMBEROS.
- b) NUNCA AGARRE UNA SARTÉN QUE ESTÁ FLAMEANDO - Puede quemarse.
- c) NO UTILICE AGUA, incluyendo paños de cocina o toallas mojadas - se producirá una violenta explosión de vapor.
- d) Utilice un extintor SOLO si:
 1. Sabe que tiene un extintor de Clase ABC y ya sabe cómo manejarlo.
 2. El fuego es pequeño y está contenido en la zona donde se inició.
 3. Se está llamando a los bomberos.
 4. Puede combatir el fuego de espaldas a una salida.

* Basado en "Consejos de Seguridad contra Incendios en la Cocina" publicado por la NFPA

ADVERTENCIA - PARA REDUCIR EL RIESGO DE INCENDIO O DE CHOQUE ELÉCTRICO, no utilice este ventilador con ningún dispositivo de control de velocidad de estado sólido.

ADVERTENCIA - PARA REDUCIR EL RIESGO DE INCENDIO, DESCARGA ELÉCTRICA O LESIONES A LAS PERSONAS, OBSERVE LO SIGUIENTE:

1. Utilice esta unidad solo de la manera prevista por el fabricante. Si tiene alguna pregunta, póngase en contacto con el fabricante.
2. Antes de realizar el mantenimiento o la limpieza de la unidad, desconecte la alimentación en el panel de servicio y bloquee los medios de desconexión de servicio para evitar que la alimentación se conecte accidentalmente. Cuando los medios de desconexión de servicio no puedan bloquearse, fije de forma segura un dispositivo de advertencia prominente, como una etiqueta, en el panel de servicio.

PRECAUCIÓN: Solo para Uso General de Ventilación. No lo Utilice para Expulsar Materiales y Vapores Peligrosos o Explosivos.

ADVERTENCIA - PARA REDUCIR EL RIESGO DE INCENDIO, DESCARGA ELÉCTRICA O LESIONES A LAS PERSONAS, OBSERVE LO SIGUIENTE:

1. Los trabajos de Instalación y el Cableado Eléctrico Deben Ser Realizados por Persona(s) Calificada(s) de Conformidad con Todos los Códigos y Normas Aplicables, Incluyendo la Construcción Clasificada para el Fuego.
2. Se necesita suficiente aire para una combustión adecuada y para la evacuación de los gases a través del conducto de humos (chimenea) de los equipos de combustión para evitar el backdrafting. Siga las directrices del fabricante del equipo de calefacción y las normas de seguridad, como las publicadas por la Asociación Nacional de Protección contra Incendios (NFPA) y la Sociedad Americana de Ingenieros de Calefacción, Refrigeración y Aire Acondicionado (ASHRAE), así como las autoridades de los códigos locales.

- 3. Al cortar o perforar la pared o el techo, no dañe el cableado eléctrico ni otros servicios ocultos.**
- 4. Los ventiladores con conductos deben estar siempre ventilados al exterior.**

TODAS LAS APERTURAS DE LA PARED Y DEL SUELO DONDE SE INSTALE LA CAMPANA EXTRACTORA DEBEN ESTAR SELLADAS.

Esta Campana Extractora requiere un espacio libre de al menos 24" entre la parte inferior de la Campana Extractora y la superficie de cocción o la encimera. Esta campana ha sido aprobada por UL a esta distancia de la encimera.

Esta distancia mínima puede ser mayor dependiendo de los códigos de construcción locales. Para las encimeras de gas y las cocinas combinadas, se recomienda un mínimo de 30" y puede ser necesario.

Los armarios superiores a ambos lados de esta unidad deben estar a un mínimo de 18" por encima de la superficie de cocción o de la encimera. Consulte las instrucciones de instalación de la placa de cocción o de la cocina dadas por el fabricante antes de hacer cualquier recorte. **INSTALACIÓN EN CASAS MÓVILES** La instalación de esta Campana Extractora debe cumplir con las Normas de Seguridad y Construcción de Casas Móviles, Título 24 CFR, Parte 3280 (anteriormente Norma Federal para la Seguridad y Construcción de Casas Móviles, Título 24, HUD, Parte 280). Consulte los Requerimientos Eléctricos

REQUERIMIENTOS DE VENTILACIÓN

Determine cuál método de ventilación es el mejor para su aplicación. La red de conductos puede extenderse a través de la pared o del techo.

La longitud de la red de conductos y el número de codos deben reducirse al mínimo para conseguir un rendimiento eficaz. El tamaño de la red de conductos debe ser uniforme. No instale dos codos juntos. Utilice cinta adhesiva para sellar todas las juntas del sistema de conductos. Utilice masilla para sellar la pared exterior o la abertura del suelo alrededor de la tapa.

No se recomienda utilizar conductos flexibles. Los conductos flexibles crean contrapresión y turbulencias de aire que reducen considerablemente el rendimiento.

Asegúrese de que hay un espacio libre adecuado dentro de la pared o el suelo para el conducto de escape antes de hacer recortes. No corte una viga o montante a menos que sea absolutamente necesario. Si es necesario cortar una viga o un montante, debe construirse un marco de soporte.

ADVERTENCIA - Para Reducir el Riesgo de Incendio, Utilice Solo Conductos Metálicos.

PRECAUCIÓN - Para reducir el riesgo de incendio y para evacuar el aire adecuadamente, asegúrese de canalizar el aire hacia el exterior - No ventile el aire de salida en espacios dentro de las paredes o techos o en áticos, espacios de arrastre o garajes.

ADVERTENCIA: Para Reducir el Riesgo de Incendio, Descarga Eléctrica o Lesiones Personales, No Utilice Piezas de Recambio Que No Hayan Sido Recomendadas Por El Fabricante (por ejemplo, Piezas Fabricadas En Casa Usando Una impresora 3D).



¡ADVERTENCIA

- El sistema de ventilación DEBE terminar en el exterior de la vivienda.
- **NO** termine los conductos en un ático u otro espacio cerrado.
- **NO** utilice tapas de pared de 4" tipo lavadero.
- No se recomienda utilizar conductos flexibles.
- **NO** obstruya el flujo de aire de combustión y ventilación.
- El incumplimiento de los requisitos de ventilación puede provocar un incendio.

Instalaciones para Climas Fríos

Debe instalarse un regulador de corriente adicional para minimizar el flujo de aire frío de retorno y debe instalarse un interruptor térmico no metálico para minimizar la conducción de las temperaturas exteriores como parte del sistema de ventilación. El regulador debe estar situado en el lado del interruptor térmico. El interruptor debe estar lo más cerca posible del lugar donde el sistema de ventilación entra en la parte con calefacción de la casa.

REQUERIMIENTOS ELÉCTRICOS

Se requiere un suministro eléctrico de 120 voltios y 60 Hz de CA en un circuito separado con fusible de 15 amperios. Se recomienda utilizar un fusible de retardo o un interruptor de circuito. El fusible debe estar dimensionado según los códigos locales de acuerdo con la clasificación eléctrica de esta unidad, tal como se especifica en la placa de serie/clasificación ubicada en el interior de la unidad, cerca del compartimiento de cableado de campo.



¡ADVERTENCIA

- Esta Campana Extractora requiere una toma de tierra eléctrica.
- Si la tubería de agua fría está interrumpida por plástico, juntas no metálicas u otros materiales, NO la utilice para la conexión a tierra.
- NO conecte a tierra una tubería de gas.
- NO tenga un fusible en el circuito neutro o de conexión a tierra. Un fusible en el circuito neutro o de conexión a tierra podría provocar una descarga eléctrica.
- Consulte a un electricista cualificado si tiene dudas sobre si la Campana Extractora está correctamente conectada a tierra.
- El incumplimiento de los requerimientos eléctricos puede resultar en un incendio.

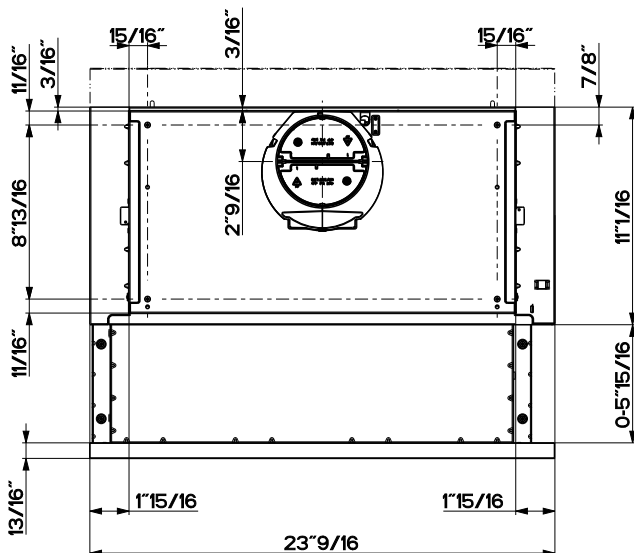
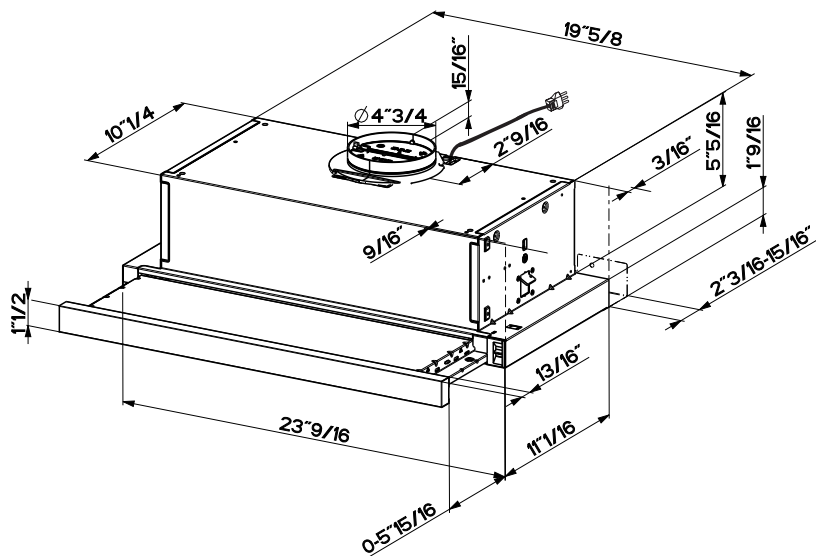
Advertencia de la Proposición 65 del Estado de California (solo en Estados Unidos)

⚠ ¡ADVERTENCIA!

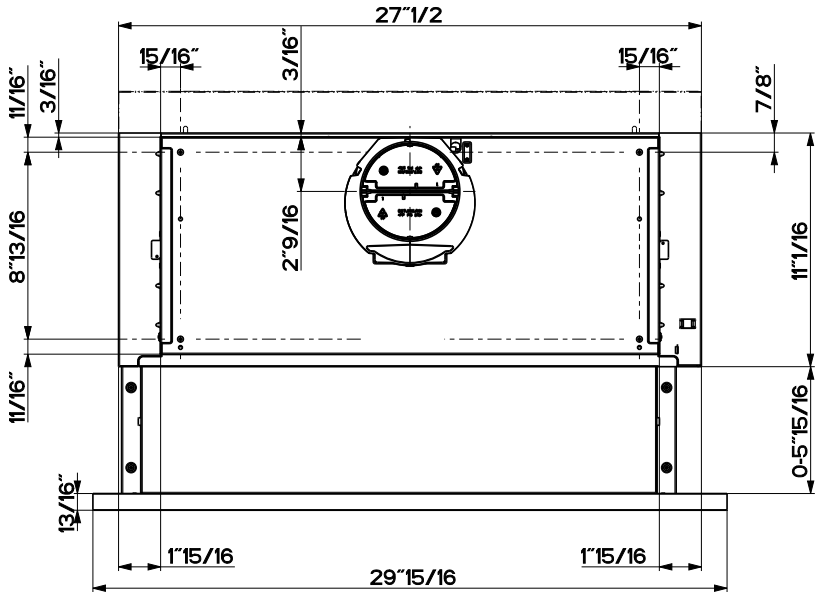
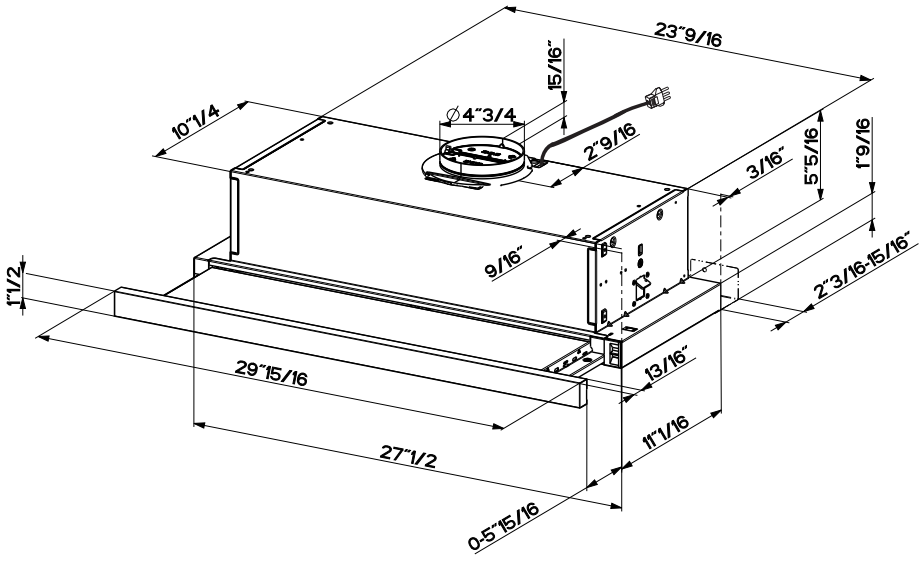
Este producto contiene sustancias químicas que el Estado de California conoce como causantes de cáncer y defectos de nacimiento u otros daños reproductivos. Para más información, visite www.P65Warnings.ca.gov

DIMENSIONES DE LA CAMPANA EXTRACTORA

CAMPANA EXTRACTORA DE 24"

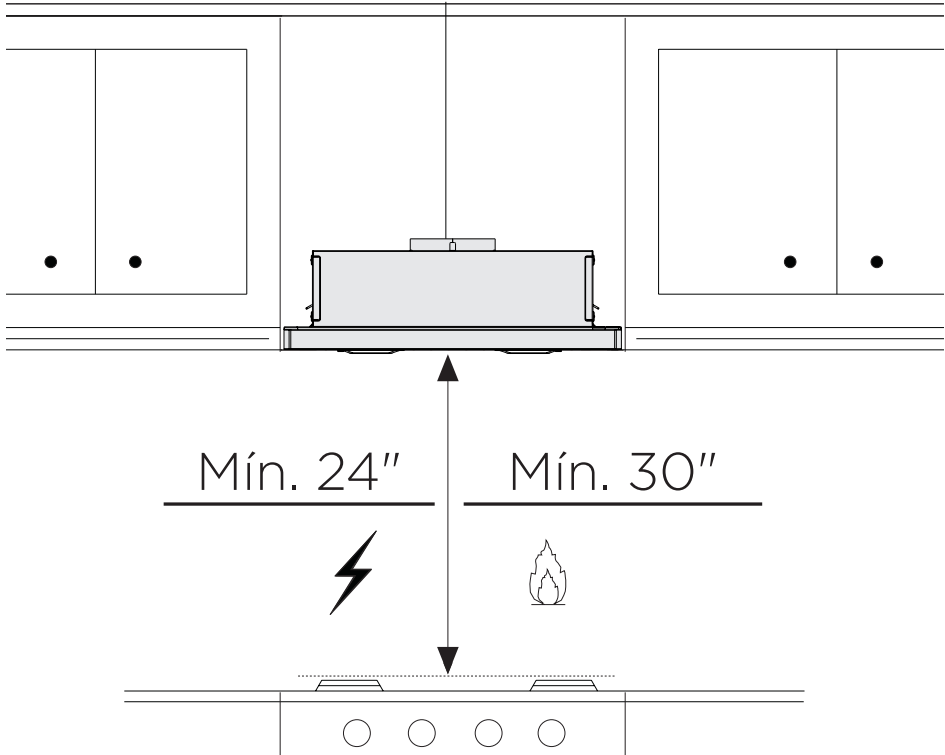


CAMPANA EXTRACTORA DE 30"



REQUERIMIENTOS DE ALTURA PARA LA INSTALACIÓN

MÍN. 24" SOBRE ELÉCTRICO / MÍNIMO 30" SOBRE GAS

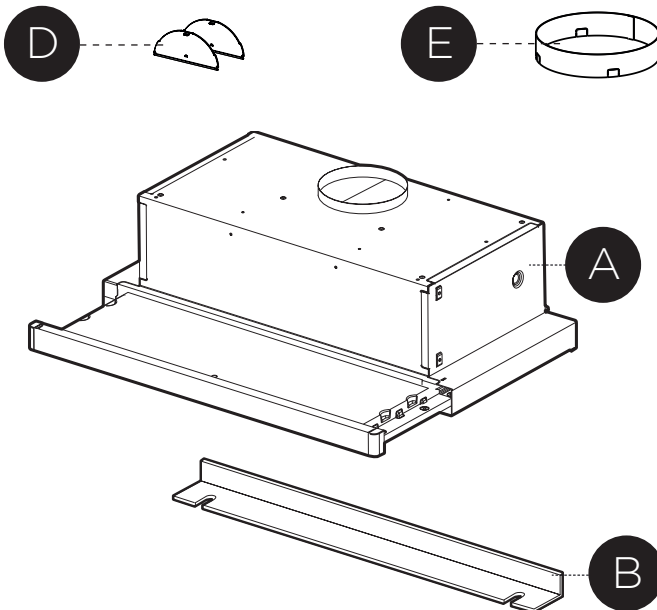


PIEZAS

PIEZAS INCLUIDAS



REF.	PIEZA	CANT
A	Cuerpo de la campana	1
B	Moldura Trasera	1
D	Solapas del regulador	2
E	Anillo metálico	1

REF	PIEZA	
F	Tornillos Pozi (3/16" x 1/2")	2



PIEZAS (cont.)








PIEZAS NECESARIAS

PIEZA	
Conductos metálicos redondos de 5"	
Cinta adhesiva	

ACCESORIOS DISPONIBLES

ACCESORIO	SKU#
Kit de Filtro de Carbón Activado	#FILTRO7

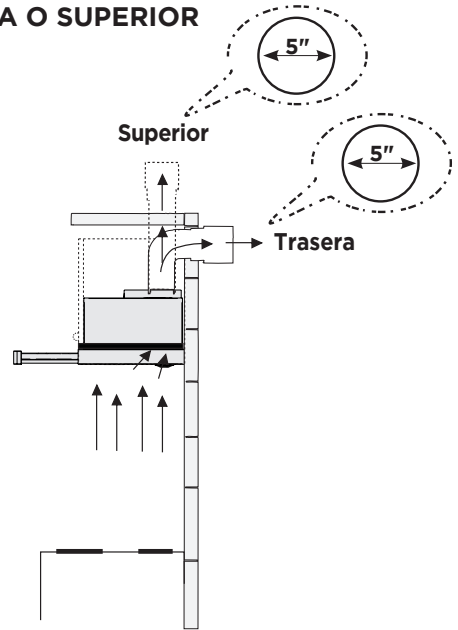
HERRAMIENTAS NECESARIAS

HERRAMIENTA	
Cinta Métrica	
Lápiz	
Taladro Eléctrico con Broca de 5/16	
Destornillador Phillips	
Destornillador Pozi	
Tijeras de metal	
Guantes de trabajo	

MÉTODO DE VENTILACIÓN

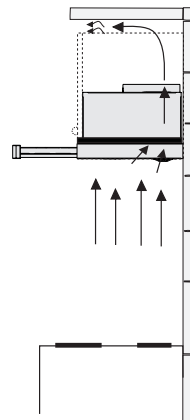
1

Opción 1: VENTILACIÓN TRASERA O SUPERIOR



Opción 2: RECIRCULANDO

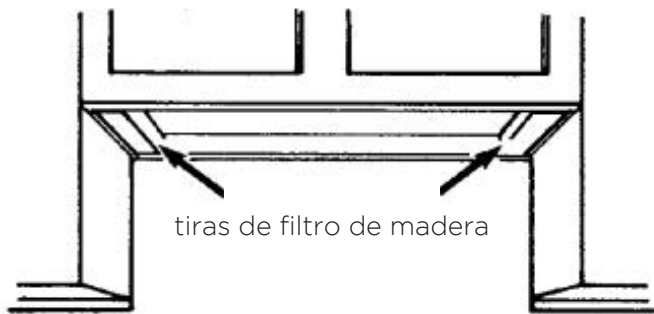
Requiere la compra del kit de Accesorios de Carbón Activado.



PREPARACIÓN DEL ARMARIO

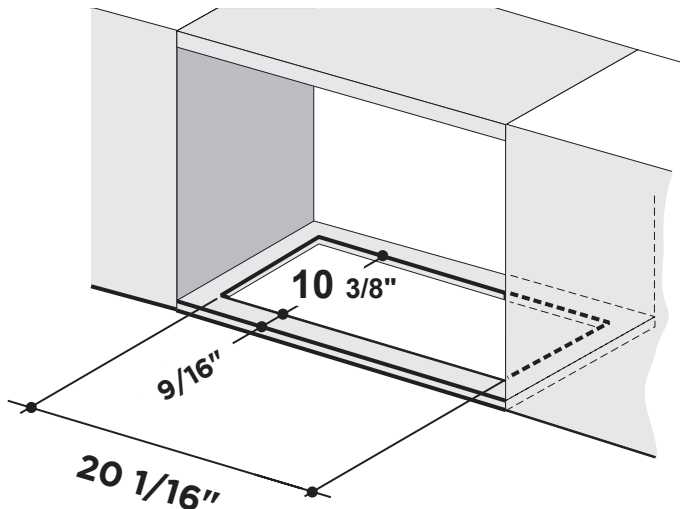
FIJACIÓN DE LA CAMPANA AL ARMARIO

- 1 La Campana puede ser instalada directamente en la parte inferior del armario.
- 2 Si la parte inferior del armario está empotrada, es necesario instalar bloques de madera para asegurar la alineación adecuada con la parte inferior del armario. Los bloques de madera deben estar al ras o empotrados $1/16''$ a $1/8''$ dentro del fondo del armario como se muestra.

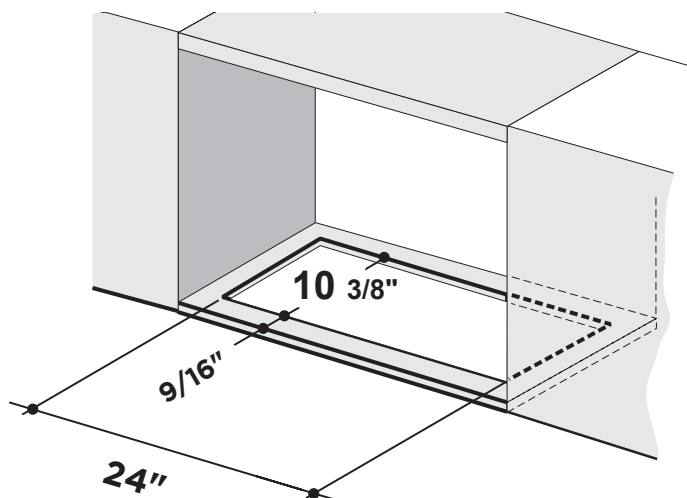


- 3 Cree un recorte en la parte inferior del armario como se muestra en la ilustración.

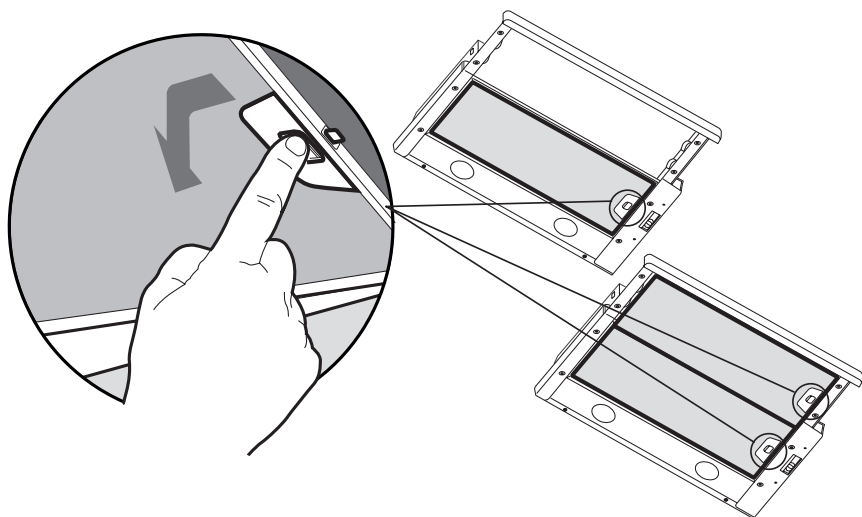
CAMPANA EXTRACTORA DE 24"



CAMPANA EXTRACTORA DE 30"

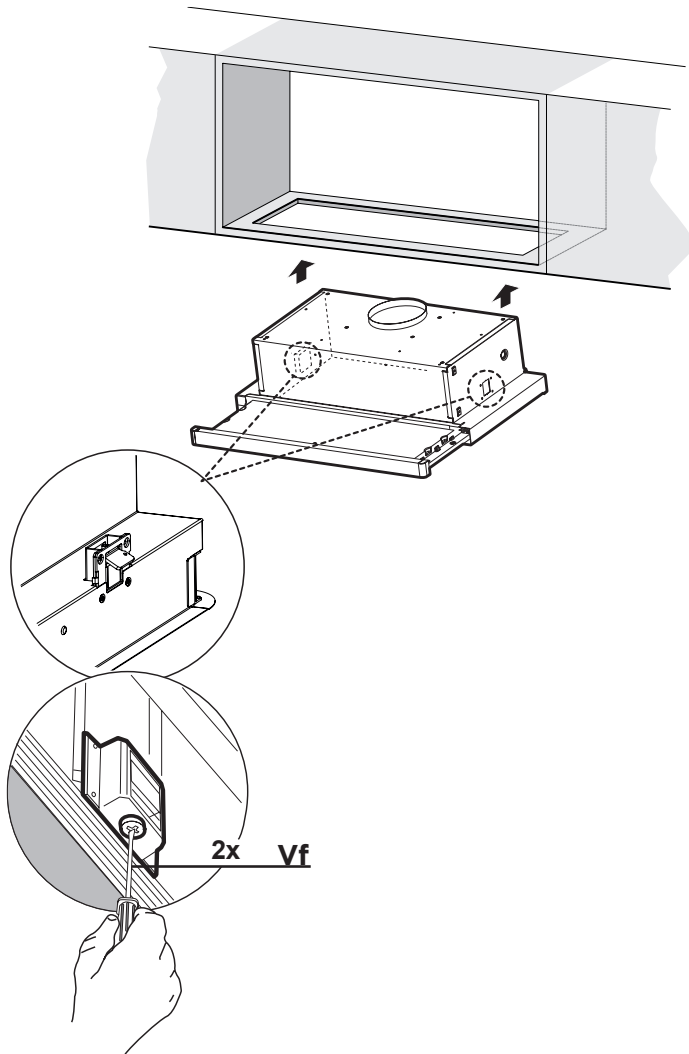


- 4 Retire los filtros de grasa empujando la pestaña de liberación hacia el lado de la campana.

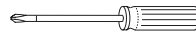


5

Introduzca la campana en el recorte hasta que los clips de instalación laterales encajen en su sitio. Bloquee la campana en su posición apretando los 2 tornillos **Vf** desde abajo.

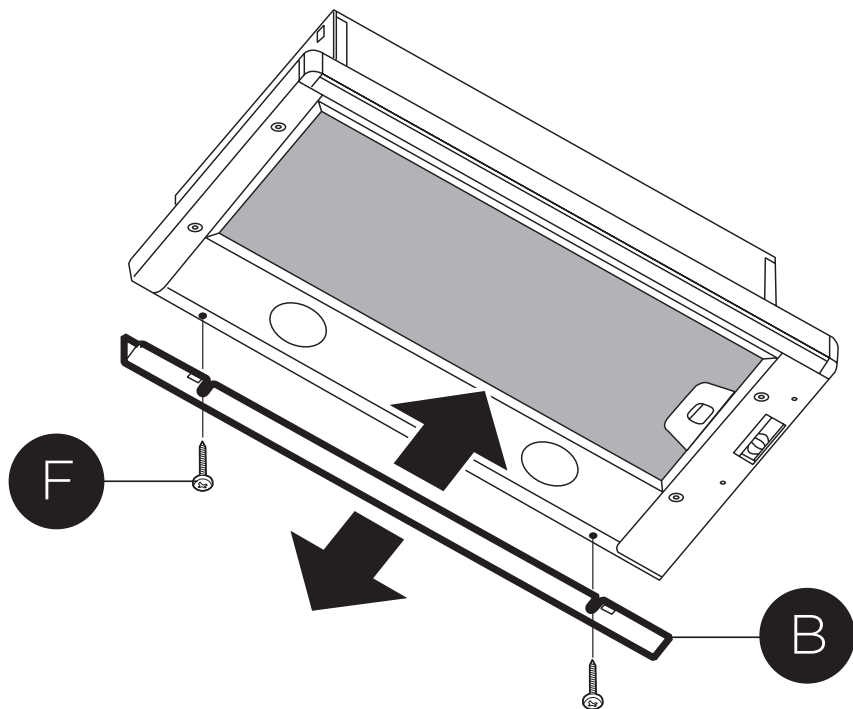


Destornillador Phillips



INSTALACIÓN DE LA MOLDURA TRASERA

- 1 Se incluye una moldura trasera **B** para cubrir la parte inferior de cualquier armario que quede al descubierto. Fije la tira de vinilo a la parte inferior de la parte trasera de la campana extractora con los dos tornillos **F** suministrados.

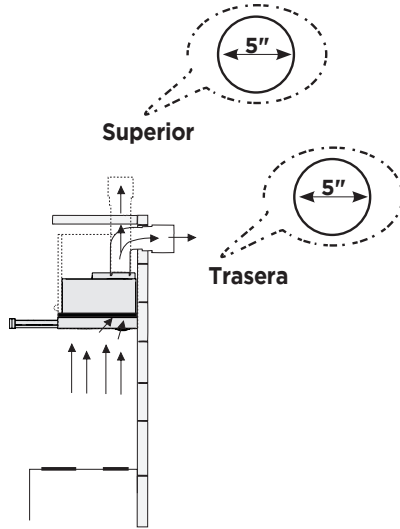


Destornillador Pozi



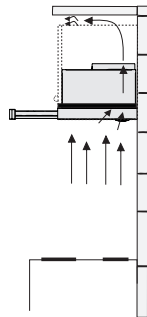
ELECCIÓN DEL MÉTODO DE VENTILACIÓN

5 Opción 1: VENTILACIÓN TRASERA O SUPERIOR



Vaya a la Pág.69

Opción 2: RECIRCULANDO

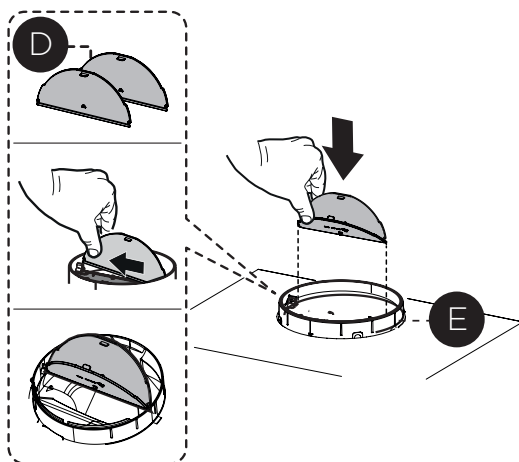


Requiere la compra del kit de Accesorios de Carbón Activado.

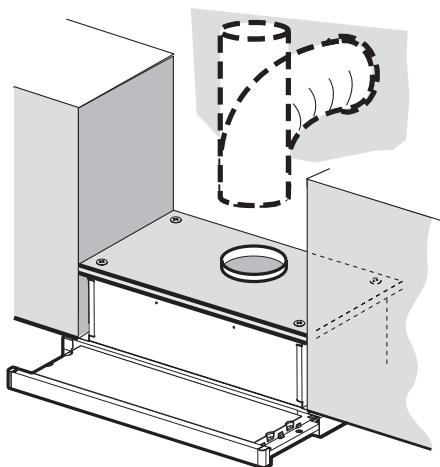
Vaya a la Pág.70

ADJUNTAR VENTILACIÓN: OPCIÓN 1 - VENTILACIÓN TRASERA O SUPERIOR

- 1 Instale el anillo de regulación metálico **E** que se incluye con la Campana. A continuación, instale las solapas del amortiguador **D** encajando las pestañas en su lugar dentro de la parte superior de la campana antes de conectar los conductos.



- 2 Instale la Tapa del Techo o de la Pared comprada por separado. Conecte el conducto metálico de 5" a la Tapa del Techo o de la Pared y luego fije el conducto. Sellar con cinta adhesiva.



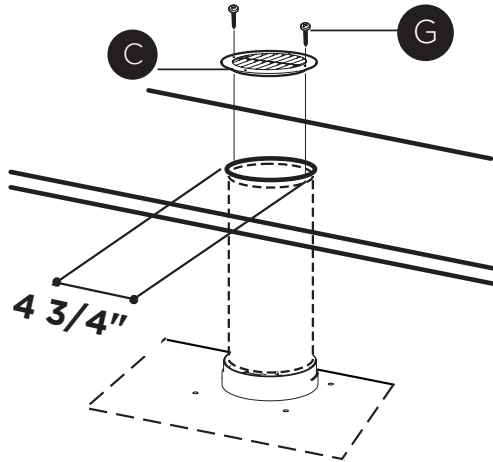
ADJUNTAR VENTILACIÓN: OPCIÓN 2 - RECIRCULACIÓN SIN CONDUCTOS

1

Para la ventilación de Recirculación sin conductos, dirija los conductos a un lugar por encima de la campana donde la descarga se ventila de nuevo en la habitación.

Requerir compra local de la rejilla de Ventilación de Recirculación **C** para cubrir la abertura e asegure la rejilla con los 2 tornillos **G** no suministrados.

Se debe utilizar un conducto redondo recto de 5" que tenga al menos 15" de longitud para conducir el aire desde la parte superior de la salida de escape de la campana hasta la salida del armario superior.



Accesorio Requerido de Filtro de Carbón
Activado - sku # - FILTRO7



CONEXIÓN DE LA ENERGÍA DE LA CASA

6

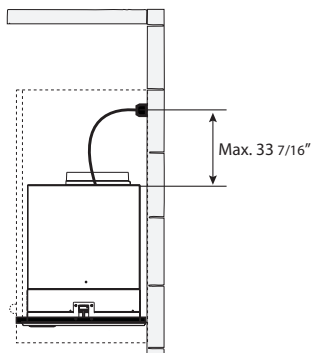
INSTALACIÓN ELÉCTRICA CON CABLE DE CONEXIÓN

INSTRUCCIONES PARA LA CONEXIÓN A TIERRA Este aparato debe estar conectado a tierra. En caso de que se produzca un cortocircuito eléctrico, la conexión a tierra reduce el riesgo de descarga eléctrica al proporcionar un cable de escape para la corriente eléctrica. Este aparato está equipado con un cable que tiene un hilo de conexión a tierra con un enchufe de conexión a tierra. El enchufe debe conectarse a una toma de corriente que esté correctamente instalada y conectada a tierra.

ADVERTENCIA - Una conexión a tierra inadecuada puede suponer un riesgo de descarga eléctrica.

Consulte a un electricista cualificado si las instrucciones de conexión a tierra no se entienden completamente, o si existen dudas sobre si el aparato está correctamente conectado a tierra.

No utilice un cable alargador. Si el cable de alimentación es demasiado corto, haga que un electricista cualificado instale una toma de corriente cerca del aparato.

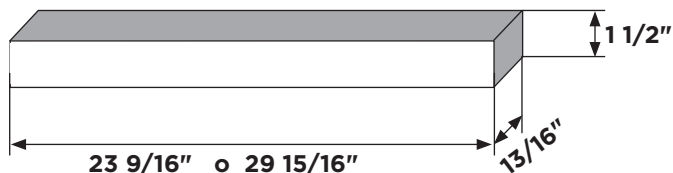


El cable de alimentación deberá ser accesible para su inspección después de la instalación.

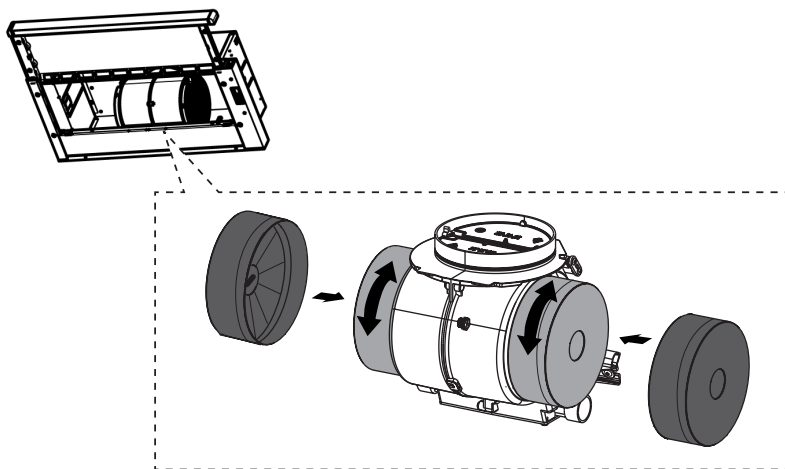
OPCIÓN DE MOLDURA FRONTAL PERSONALIZADA

Esta campana viene con una moldura frontal de acero inoxidable instalada. Para reemplazar y personalizar este panel, retire los filtros de grasa y los tres tornillos Phillips ubicados detrás del listón. Si es necesario, el listón frontal puede ajustarse aflojando los tres tornillos Phillips y deslizando el listón hacia arriba o hacia abajo. Apriete los tornillos cuando tenga la franja bien colocada.

Si desea una moldura frontal a medida, una tienda local de armarios puede hacer un listón que combine con los suyos. Las dimensiones del listón frontal se indican en la ilustración.



7 PARA LA OPCIÓN DE RECIRCULACIÓN SIN CONDUCTOS

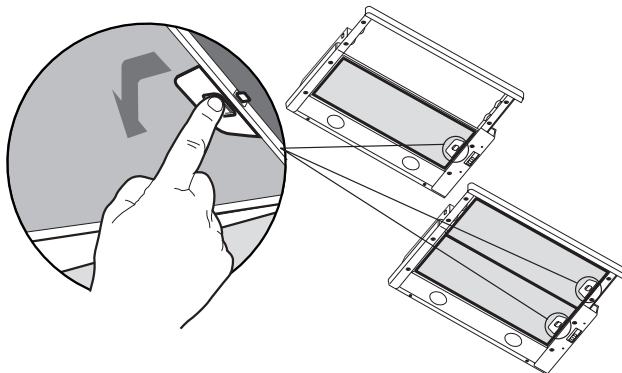


Conecte cada filtro de carbón a la rejilla negra de cada lado del soplador. Presione el filtro de carbón con firmeza en la rejilla negra del lado del soplador y gire el filtro en el sentido de las agujas del reloj (hacia la parte delantera de la campana) hasta que se bloquee en su lugar. Gire en sentido contrario a las agujas del reloj (hacia la parte posterior de la campana) para retirarlo (para más detalles, consulte el párrafo **Cambio e inserción del Filtro de Carbón**)

Accesorio Requerido de Filtro de Carbón Activado - sku # - FILTRO7



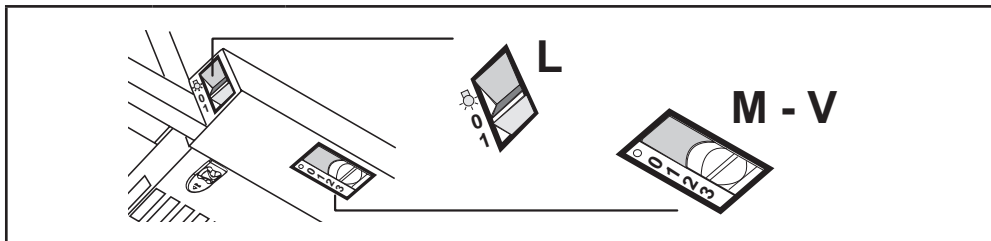
8 Vuelva a instalar los filtros de grasa retirados anteriormente.



OPERACIÓN DE LOS CONTROLES

PARA OBTENER MEJORES RESULTADOS

Ponga en marcha la Campana Extractora varios minutos antes de cocinar para desarrollar un flujo de aire adecuado. Deje que la Campana Extractora funcione durante varios minutos después de terminar de cocinar para eliminar todo el humo y los olores de la cocina.



Todos los controles están situados en el lado derecho de la campana extractora

L	Luz	El interruptor de encendido/apagado de la luz se encuentra detrás de la moldura frontal. Al mover el interruptor a la Posición 1 se enciende la luz. Al mover el interruptor a la Posición 0, la luz se apaga.
M-V	Motor/ Velocidad	M-V muestra el interruptor de control de velocidad para el soplador. Al mover el interruptor a la Posición 1, el soplador se enciende a BAJA velocidad. Al mover el interruptor a la Posición 2, el soplador se enciende en MEDIA. Al mover el interruptor a la Posición 3, el soplador se enciende en ALTO. Al mover el interruptor a la Posición 0, el soplador se apaga.

Funcionamiento automático

Mientras los interruptores del soplador y de la luz estén encendidos, el soplador y la luz funcionarán automáticamente cuando se abra el visor y se apagarán cuando se cierre el visor.

LIMPIEZA DEL ACERO INOXIDABLE

Limpieza de las Superficies Exteriores:

Por favor, tenga en cuenta que los abrasivos y los agentes de fregado pueden rayar los acabados de la campana extractora y no deben utilizarse para limpiar las superficies acabadas.

Instrucciones para la limpieza del acabado de Acero Inoxidable:

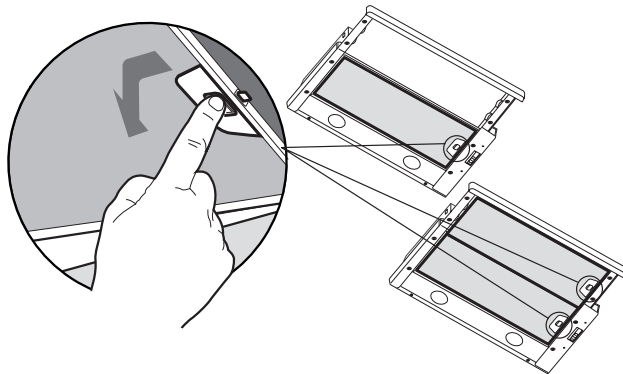
Limpie las superficies exteriores con un limpiador de acero inoxidable disponible comercialmente.

CUIDADO DE LOS FILTROS

LIMPIEZA DE LOS FILTROS DE GRASA METÁLICOS

Los filtros de grasa metálicos pueden limpiarse en una solución de detergente caliente o lavarse en el lavavajillas. Deben limpiarse cada 2 meses de uso, o con mayor frecuencia si el uso es particularmente intenso.

1. Extraiga el panel de succión deslizante.
2. Retire los filtros de grasa empujando la pestaña de liberación hacia el lado de la campana.
3. Lave el filtro sin doblarlo, déjelo secar bien antes de volver a colocarlo (si la superficie del filtro cambia de color con el tiempo, esto no tendrá ningún efecto sobre su eficacia).
4. Vuelva a colocarlo, teniendo cuidado de que el asa esté orientada hacia delante.
5. La limpieza en el lavavajillas puede deslustrar el acabado del filtro metálico de grasa.
6. Cierre el panel de succión deslizante.
7. Seque completamente los filtros antes de volver a instalarlos en la campana. No debe quedar agua atrapada en el filtro antes de volver a instalarlo.

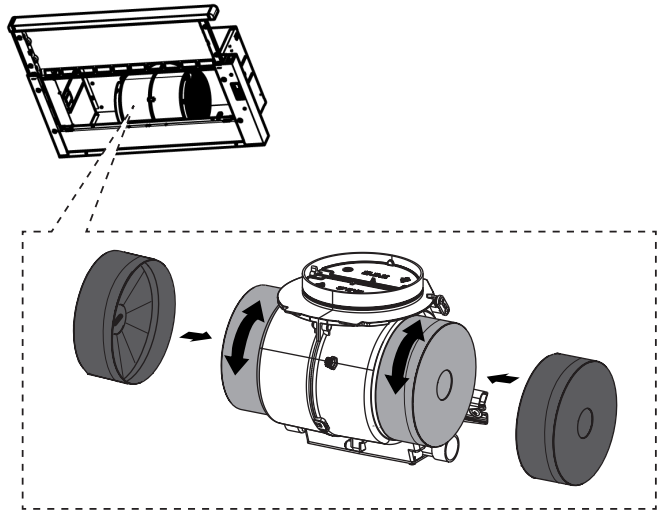


SUSTITUCIÓN DEL FILTRO DE CARBÓN ACTIVADO

Los Filtros de Carbón Activado (FILTRO7) no son lavables y no pueden ser regenerados, por lo que deben ser reemplazados aproximadamente cada 4 meses de funcionamiento, o con mayor frecuencia en caso de uso intensivo.

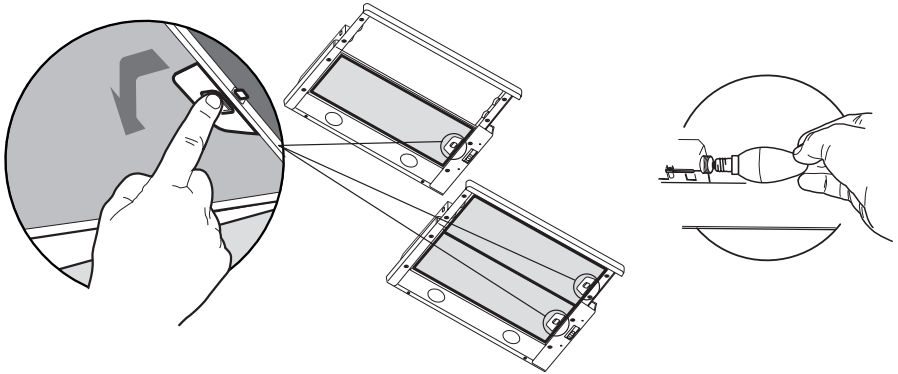
1. Extraiga el panel de succión deslizante.
2. Retire los filtros de grasa empujando la pestaña de liberación hacia el lado de la campana.
3. Retire el filtro de carbón saturado soltando los ganchos de fijación.
4. Coloque el nuevo filtro enganchándolo en su alojamiento.
5. Vuelva a colocar el filtro, teniendo cuidado de que el asa esté orientada hacia delante.
6. Cierre el panel de succión deslizante.

PRECAUCIÓN: Cuando se utiliza en modo de recirculación, para Reducir el Riesgo de Incendio y Choque utilice únicamente el kit de conversión Modelo FILTRO7.



SUSTITUCIÓN DE LAS BOMBILLAS

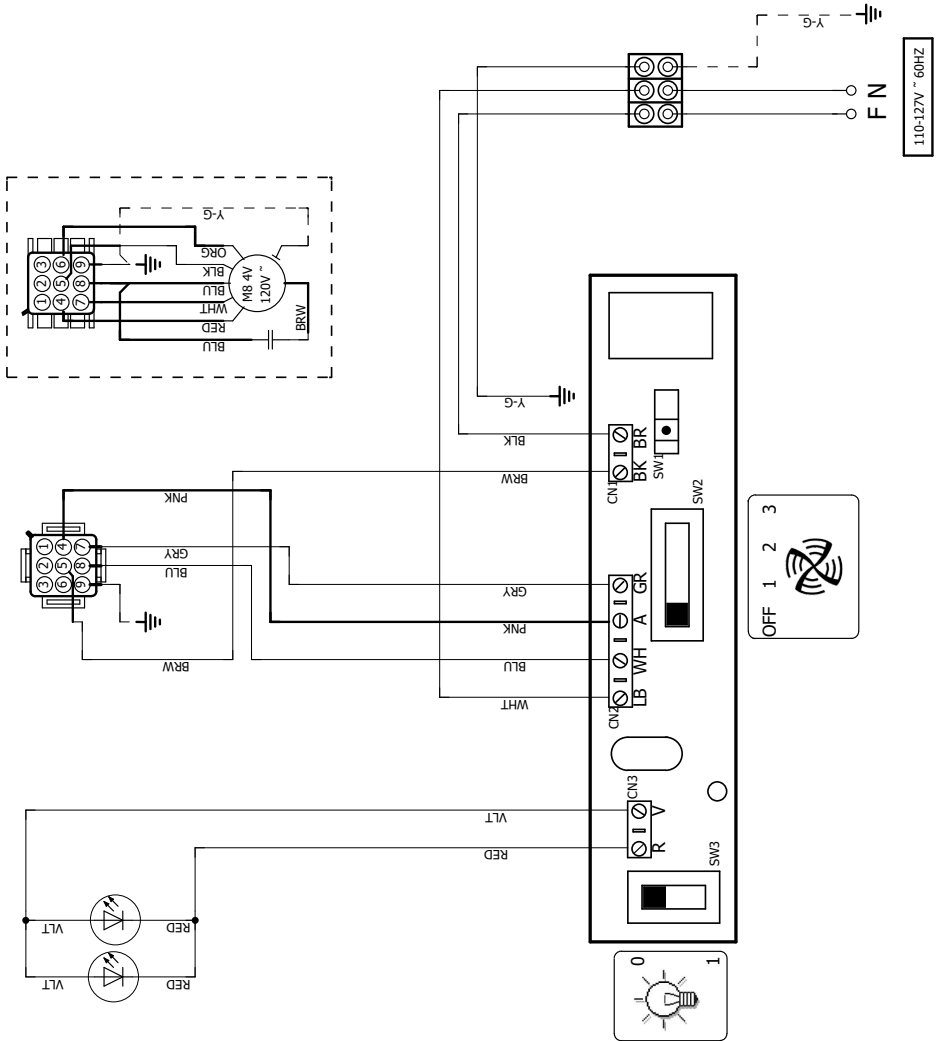
1. Extraiga el panel de succión deslizante.
2. Retire el filtro.
3. Sustituya la lámpara por una nueva del mismo tipo.
4. Sustituya los filtros de grasa.



Lámparas led autobalastadas
E12 - listadas de acuerdo con ul
1993/nmxj-578/1-ance/ csa c22.2
No. 1993



DIAGRAMA DE CABLEADO



GARANTÍA



La garantía de Franke Home Solutions para los productos de las marcas Franke y Faber entra en vigor el 1 de marzo de 2022

En Estados Unidos, Canadá y América Latina, Franke garantiza los productos de la marca Faber contra defectos de fabricación en materiales y mano de obra cuando se compran a un minorista autorizado de Franke o Faber de acuerdo con las garantías específicas del producto que se detallan en este documento (cada una, una "Garantía" y colectivamente, las "Garantías"). Los productos deben ser instalados correctamente, según las instrucciones de instalación de Franke, en su instalación original, y utilizados en aplicaciones normales de cocina residencial en interiores. Cualquier producto o componente que haya sido modificado o alterado de su condición original anulará la garantía. Las garantías de Franke para los productos de la marca Faber están limitadas al comprador original y no son transferibles. Estas garantías no incluyen los productos comprados a minoristas no autorizados, los productos obsoletos o descatalogados, ni los productos que eran modelos de exposición anteriores. Todos los problemas con los productos instalados se consideran reclamaciones de garantía y no están sujetos a la política de devoluciones. Franke se reserva el derecho de inspeccionar cualquier producto Franke / Faber reportado como defectuoso en virtud de una reclamación de garantía y la instalación original antes de proporcionar un producto y/o componente de reemplazo. Todas las decisiones son definitivas. En ningún caso la responsabilidad de Franke superará el importe del precio de compra original.

Las garantías no cubren, y Franke no será responsable, de ningún daño a los productos o componentes derivado de un mal uso o abuso, daños accidentales, desgaste normal como rozaduras, arañazos o reducción/descoloramiento del acabado, instalación incorrecta, uso anormal, negligencia, daños causados por un mantenimiento o limpieza inadecuados. Los daños causados por impurezas, productos químicos corrosivos o actos fuera del control de Franke no están cubiertos por ninguna garantía. Las llamadas de servicio para corregir la instalación de una campana extractora, las instrucciones sobre el funcionamiento de una campana extractora, para sustituir o reparar los fusibles de la casa o para corregir el cableado o la fontanería de la casa no están cubiertas por ninguna Garantía. Las llamadas de servicio para reparar o sustituir las bombillas, fusibles o filtros de la campana extractora, así como los costes de estas piezas consumibles, también están excluidos de la cobertura de la garantía. La instalación que no esté de acuerdo con los códigos eléctricos o de fontanería o con la documentación de Franke / Faber no está cubierta por ninguna garantía. Los costes de las piezas de repuesto o de la mano de obra de reparación de las unidades utilizadas fuera de los Estados Unidos, Canadá o América Latina, incluidas las campanas extractoras de cocina Franke / Faber no aprobadas por la norma UL o C-UL, están excluidos de la cobertura de la garantía. Los gastos de viaje y transporte para el servicio en lugares remotos y los gastos de recogida y entrega no están cubiertos por ninguna Garantía. Las campanas extractoras Franke / Faber siempre deben ser revisadas en el hogar en su instalación original.

Las sustituciones de productos Franke / Faber no incluyen la responsabilidad por los retrasos del proyecto. No se garantiza que las sustituciones de los productos sean exactas. Si el producto original no está disponible en el momento de la reclamación de la garantía, a opción de Franke, los reemplazos del producto serán de tamaño, material y valor similares. Cualquier producto o componente que haya sido modificado o alterado de su condición original anulará la garantía.

Las garantías no permiten la recuperación de los daños incidentales o indirectos, como la pérdida de uso, el retraso, los daños a la propiedad u otros daños indirectos, y Franke no acepta ninguna responsabilidad por tales daños. Cada Garantía está limitada a las condiciones establecidas en el presente documento y al período de garantía aplicable especificado en el mismo y es exclusiva. A EXCEPCIÓN DE LAS GARANTÍAS ESTABLECIDAS EN ESTE DOCUMENTO, FRANKE NO OFRECE NINGUNA GARANTÍA CON RESPECTO A LOS PRODUCTOS, INCLUYENDO, PERO NO LIMITADO A, (1) CUALQUIER GARANTÍA DE COMERCIALIZACIÓN, (2) LA GARANTÍA DE IDONEIDAD PARA UN PROPÓSITO PARTICULAR, (3) LA GARANTÍA DE TÍTULO, O (4) LA GARANTÍA CONTRA LA VIOLACIÓN DE LOS DERECHOS DE PROPIEDAD INTELECTUAL DE UN TERCERO, YA SEA EXPRESA O IMPLÍCITA POR LA LEY, EL DESARROLLO DE LOS NEGOCIOS, EL DESARROLLO DE LA EJECUCIÓN, EL USO DEL COMERCIO O DE OTRA MANERA. AVISO LEGAL POR FAVOR

LEA ATENTAMENTE. Franke Kitchen Systems LLC le proporciona la información anterior como un servicio público a nuestros clientes. Al acceder y utilizar esta información, usted acepta lo siguiente y el cumplimiento de todas las leyes aplicables. Si no está de acuerdo con estas condiciones, no utilice esta información. Aunque intentamos mantener la información actualizada, pueden haberse producido cambios desde su creación. Póngase en contacto con su gerente regional o con el servicio de atención al cliente para verificar la información relativa a los programas de Franke Kitchen Systems LLC y su uso.

Garantía limitada de la campana extractora Franke / Faber:

Las campanas extractoras de Franke / Faber están garantizadas contra cualquier defecto de materiales o mano de obra para el comprador original durante un período de dos (2) años a partir de la fecha de compra original cuando se utilizan en aplicaciones residenciales estándar de interior. Esta garantía cubre la mano de obra y las piezas de recambio. Franke, a su elección, puede reparar o sustituir el producto o los componentes necesarios para restablecer el producto en buenas condiciones de funcionamiento.



Esta garantía sustituye a todas las demás garantías, expresas o implícitas. Ningún empleado, representante de ventas de campo o distribuidor está autorizado a dar ninguna garantía en nombre de Franke Kitchen Systems, LLC

Para reclamar la garantía de un producto instalado, póngase en contacto con Franke a través de la información de contacto proporcionada a continuación. Todos los reclamos de garantía deben incluir lo siguiente para su procesamiento:

1. Prueba de compra en un distribuidor autorizado de Franke o Faber
2. Nombre del comprador original, dirección (incluyendo ciudad, estado y código postal), dirección de correo electrónico y número de teléfono
3. Modelo y número de serie de Franke / Faber
4. Fecha de instalación
5. Descripción del defecto
6. Fotos del defecto

En América del Norte y América Latina:
Soluciones para el hogar Franke
A la atención de: Departamento de Garantía
800 Aviation Parkway
Smyrna, TN 37167
HS-Warranty.US@Franke.com

Persona jurídica:
Franke Kitchen Systems LLC

