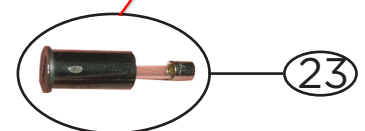
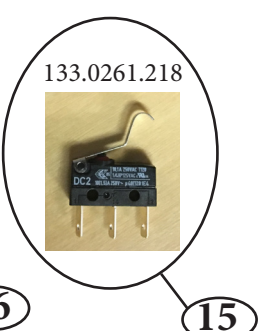
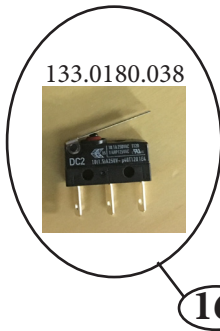
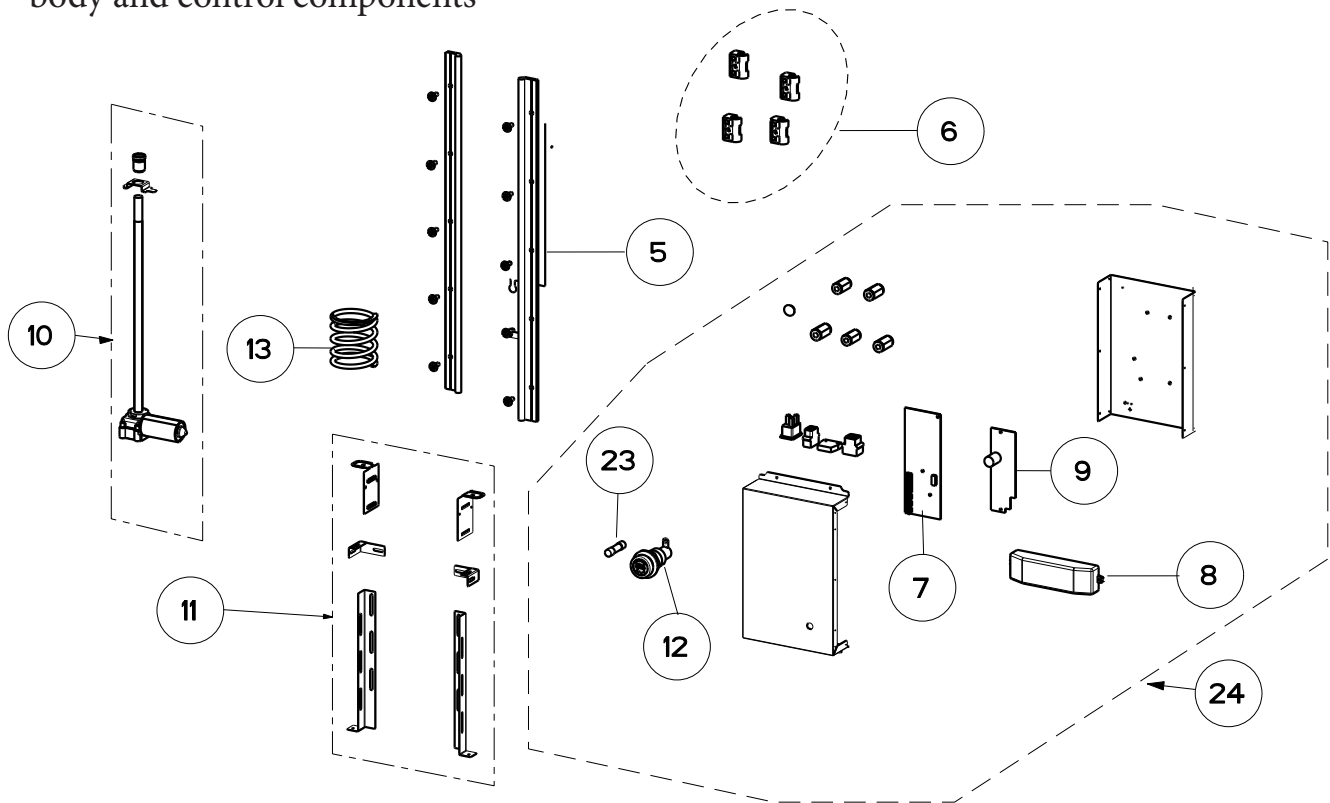


SCIROCCO LUX (Serial # Starts 7-9 or A Thru G)

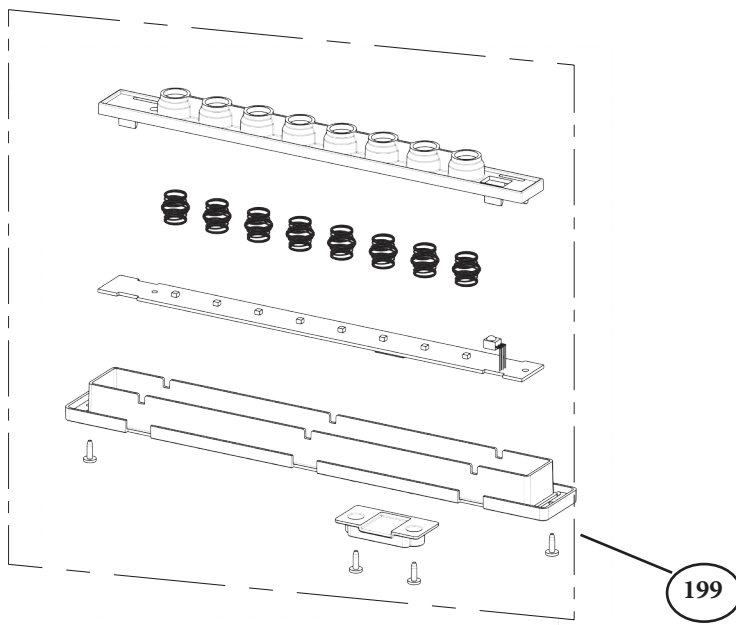
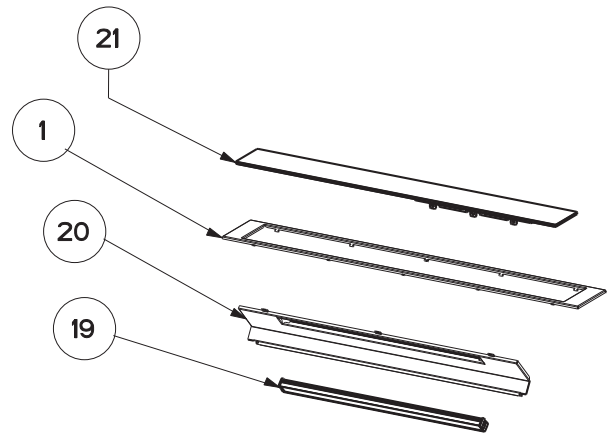
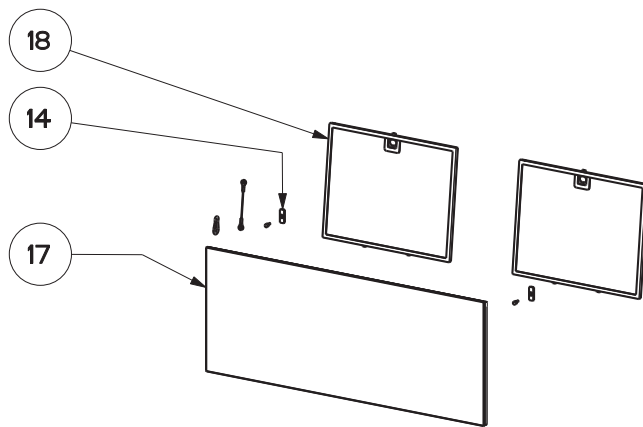
body and control components



		SCLX3015BKNB-B	SCLX3615BKNB-B	SCLX3015SSNB-B	SCLX3615SSNB-B	
Key	Description	30 Black	36 Black	30 SS / GR	36 SS / GR	Qty Req.
5	Sliding Guide Support Kit	133.0261.212	133.0261.212	133.0261.212	133.0261.212	2
6	Body Fixing Support	133.0261.213	133.0261.213	133.0261.213	133.0261.213	2
7	Gear Motor Board	133.0359.745	133.0359.745	133.0359.745	133.0359.745	1
8	Transformer	133.0171.826	133.0171.826	133.0171.826	133.0171.826	1
9	Control Board	133.0477.150	133.0477.150	133.0477.150	133.0477.150	1
10	Plenum Rise Drive Motor	133.0261.216	133.0261.216	133.0261.216	133.0261.216	1
11	Installation Hardware	133.0497.298	133.0497.298	133.0497.298	133.0497.298	1
12	Fuse holder	133.0315.854	133.0315.854	133.0315.854	133.0315.854	2
13	Spring	133.0261.217	133.0261.217	133.0261.217	133.0261.217	1
15	Curved Plenum Arm Microswitch	133.0261.218	133.0261.218	133.0261.218	133.0261.218	2
16	Flat Plenum Arm Microswitch	133.0180.038	133.0180.038	133.0180.038	133.0180.038	1
23	Fuse Kit Actuator	133.0315.855	133.0315.855	133.0315.855	133.0315.855	1
24	Control Box Kit	133.0477.262	133.0477.262	133.0477.262	133.0477.262	1
25	Fuse Kit Gear Motor Board	133.0458.668	133.0458.668	133.0458.668	133.0458.668	1

SCIROCCO LUX (Serial # Starts 7-9 or A Thru G)

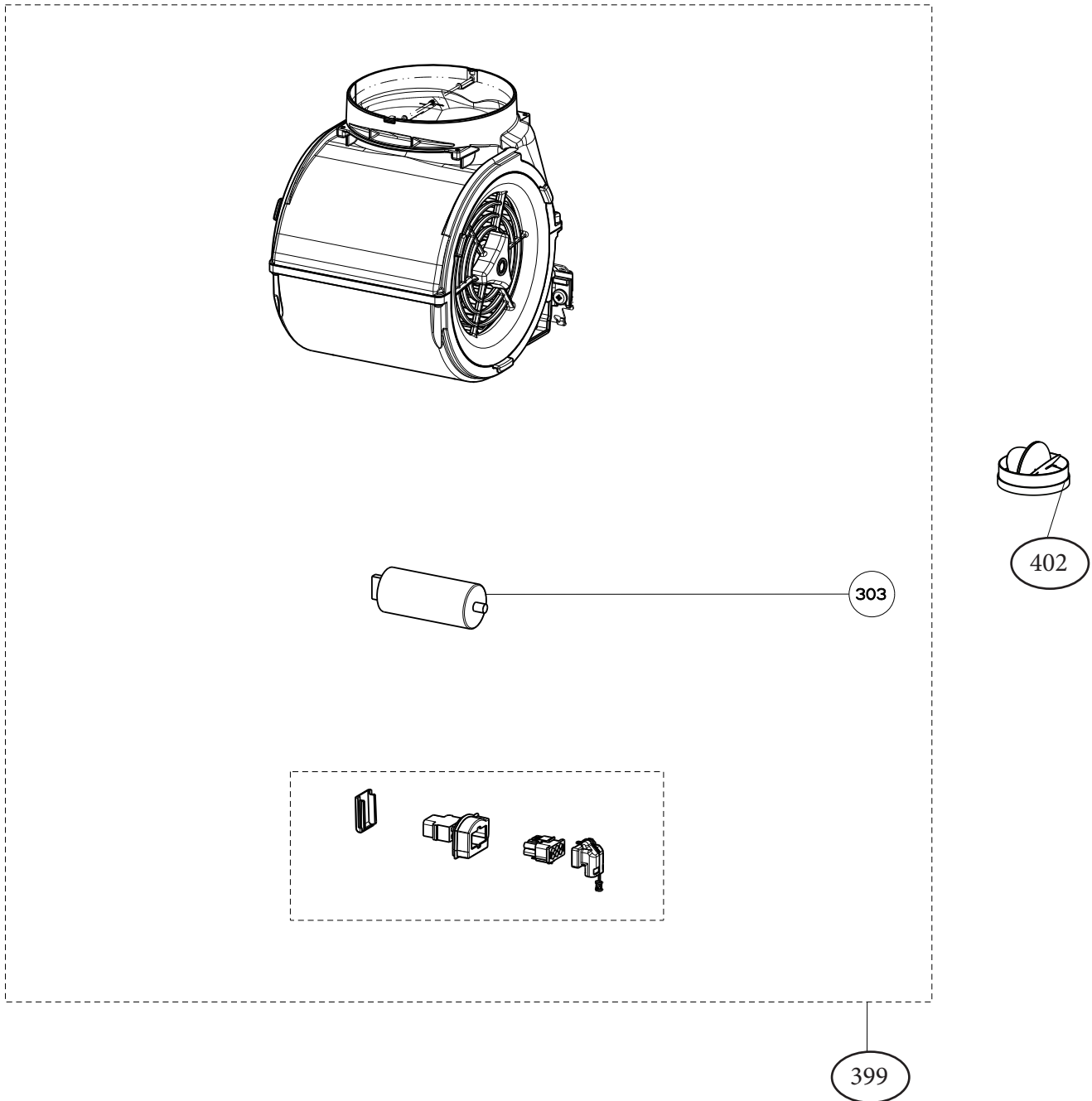
trim, filter and control components



		SCLX3015BKNB-B	SCLX3615BKNB-B	SCLX3015SSNB-B	SCLX3615SSNB-B	
Key	Description	30 Black	36 Black	30 SS / GR	36 SS / GR	Qty Req.
1	Top strip frame	133.0481.976	133.0553.862	133.0481.976	133.0553.862	1
1	Top strip frame 34" / use with serial prior to 831		133.0261.170		133.0261.170	1
14	Front panel magnet	133.0203.760	133.0203.760	133.0203.760	133.0203.760	2
17	Front Panel Glass	133.0482.011	133.0261.219	133.0482.015	133.0482.013	1
18	Grease Filter	133.0481.979	133.0261.220	133.0481.979	133.0261.220	2
19	LED light	133.0303.548	133.0303.548	133.0303.548	133.0303.548	1
20	LED Support	133.0481.980	133.0261.221	133.0481.980	133.0261.221	1
21	Top trim glass	133.0482.012	133.0477.261	133.0482.016	133.0482.014	1
199	Control Button Kit	133.0314.629	133.0314.629	133.0314.629	133.0314.629	1

SCIROCCO LUX (Serial # Starts 7-9 or A Thru G)

motor components for IBDD600-B



		SCLX3015BKNB-B	SCLX3615BKNB-B	SCLX3015SSNB-B	SCLX3615SSNB-B	
Key	Description	30 Black	36 Black	30 SS / GR	36 SS / GR	Qty Req.
303	Capacitor (IBDD600-B)	133.0072.893	133.0072.893	133.0072.893	133.0072.893	1
399	Motor Group (IBDD600-B)	133.0174.148	133.0174.148	133.0174.148	133.0174.148	1
402	Damper	133.0055.994	133.0055.994	133.0055.994	133.0055.994	1