

CLASSICA PLUS WALL RANGE HOOD



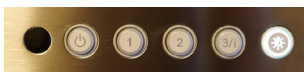
A NEW CLASSIC CANOPY HOOD WITH ADVANCED FEATURES. The new Classica Plus by Faber features one piece body construction, advanced electronic controls, an optional remote control and two level energy efficient LED lights. Available with 600 or 300 cfm motors, the Classica Plus delivers your choice of performance level in a stylish and traditional chimney style range hood.



AVAILABLE MODELS

Model #	Size / Color	Motor Class (CFM)	Sound Levels (sones)
CLAS30SS600-B	30" Stainless	600 CFM	2.8 - 7.5
CLAS36SS600-B	36" Stainless	600 CFM	2.8 - 7.5
CLAS30SS300-B	30" Stainless	300 CFM	2.5 - 5.0
CLAS36SS300-B	36" Stainless	300 CFM	2.5 - 5.0

KEY FEATURES



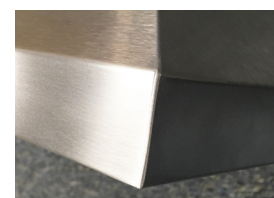
Backlit electronic controls
Backlit electronic controls with a White LED light to indicate the current speed and two level lighting



LED bulbs
Low consumption 1 watt LED bulbs with a dimmer light up your cooking but use very little energy



Remote Control (optional)
Control all features of the hood from the convenience of a wireless remote control (sold separately)



One piece body construction
Corners of the Classica Plus are wrapped and polished for a clean look with no sharp edges.

CLASSICA PLUS WALL RANGE HOOD

FABER
AIR MATTERS

SPECIFICATIONS

min. / max. ceiling height	7' 5 9/16" - 9' 5 1/4"
convertible to ductless / recirculating	yes - kit sold separately
canopy depth / height	18 1/2" d / 9 13/16" h
high ceiling kit	yes - reaches up to 11' 8 1/16" ceilings
controls	4 speed electronic w/ white led
lighting	2 x 1 (w) led - two level
ducting top	6" round
grease filters	dishwasher safe mesh
10 minute intensive speed	yes
15 minute auto shut off	yes
ADA compliant	yes (with remote control purchase)
make up air compliant*	yes (300 CFM code areas)
power cord included	yes
AC power	320 watts / 2.7 amps

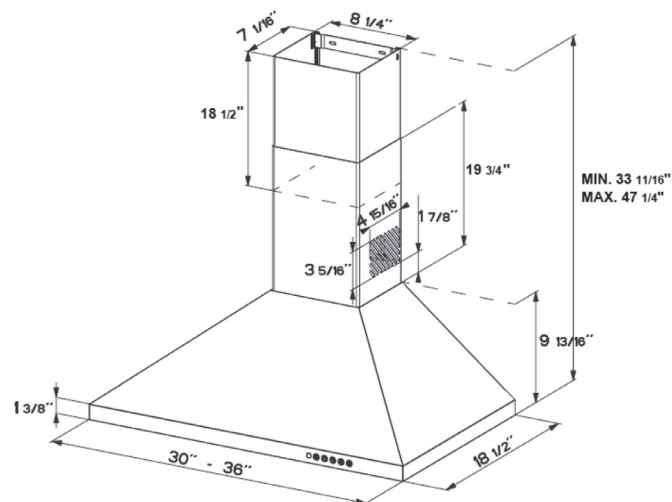
PERFORMANCE

	SPEED	1	2	3	BOOST
CFM		150	300	450	560
sones		2.8	4.3	6.0	7.5

MIN / MAX CEILING HEIGHTS

	DUCTED	RECIRC	HIGH CEILING
Min @ 24" OFF	7' 5 9/16"	7' 9 11/16"	8' 11 11/16"
Max @ 30" OFF	9' 5 1/4"	9' 5 1/4"	11' 8 1/16"

DIMENSIONS



ACCESSORIES

FILTER1 -

Charcoal Filter Kit

High quality charcoal filter for use when recirculating the air back into the kitchen. Filters out odor and should be replaced every 6 months.

FILTER1LL -

Long Lasting Charcoal Filter Kit

New washable charcoal filter can be recharged and washed up to 8 times. For use when recirculating the air back into the kitchen. Filters out odor and can last up to 4 years.

HIGHCLPL -

High Ceiling Kit

High ceiling kit replaces both the upper & lower chimney with 2 taller chimneys (32" each) to reach up to 11' 8 1/16".

DUCTCLPL -

Ductless Conversion Kit

To convert the Classica Plus to ductless, this kit includes charcoal filters and a diverter to send the air thru the side grates on the lower chimney.

CFMRED2

CFM Reducer Kit*

For use in make up air environments where an under 400 cfm hood is required. This kit reduces the ducting to 5" round and reduces the cfm from 400 to under.

REMCTRL -

Remote Control

Control all features of the hood from the convenience of a wireless remote control.

WIREBOX -

Fixed Wiring Box

Replace the power cord with a hard wired box to power the range hood.

MUDAMPER6 / MUDAMPER8 -

Universal Make-Up Air Damper

Satisfies make-up air requirements, this kit uses an air switch to activate the make-up air damper to open and bring fresh air into the home when the hood fan is on. It then closes tightly when the hood is off. The CFM level is not reduced with this accessory.



WARNING! Product specifications are subject to change without notification. Consult the installation instructions before you begin installing this range hood. * Check local make up air codes for guidelines.



Imagined in Italy