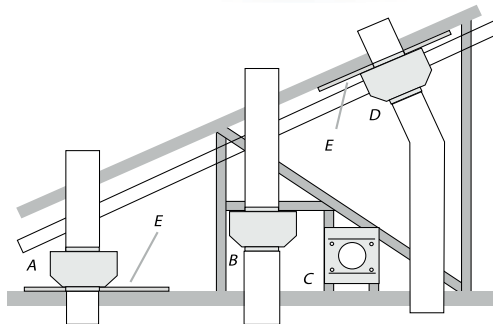
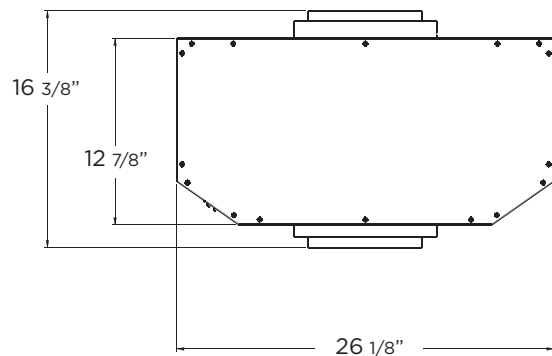
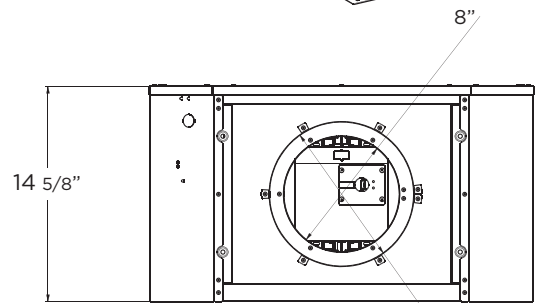
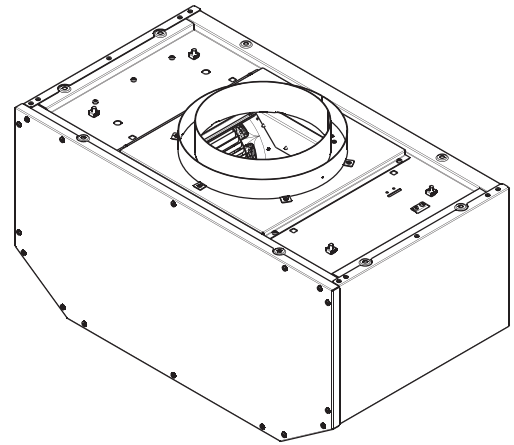
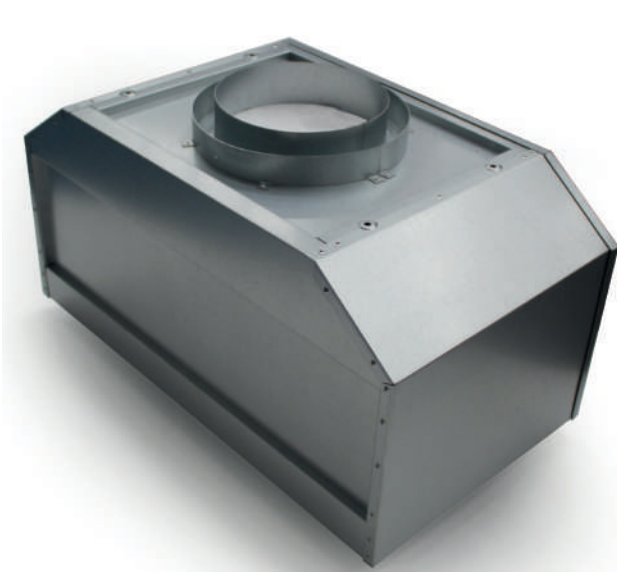


# INLINE BLOWER KITS



- A. Mount on top of ceiling joists.
- B. Mount from cross-members tied to trusses.
- C. Duct horizontal; mount to cross-members tied to trusses.
- D. Mount on underside of roof rafters.
- E. Plywood

	Inline Blower Kit	Inline Blower Shell Kit
Model:	KIT0154387	KIT0179549
Dimensions:	26 1/8" W x 14 5/8" D x 16 3/8" H	
Blower Type:**	1200 CFM (Blower Included)	For use only with 1200 CFM (Blower Not included)
Electrical:	120 V AC, 60 Hz. 15 or 20 A Branch Circuit	n/a
Wiring:	21 5/16" motor connection wiring	n/a
Finish:	Electrogalvanized steel.	
Duct Transition:	8" or 10" Round Duct Transition	
Parts needed:	Ducts 8" or 10" (not included)	
Apt for model:	Arezzo, Calabria, Leone, Leone IS, Trento, Scanno, Cervinia, Vavano, Vavano IS	Arezzo, Calabria, Leone, Leone IS, Trento, Scanno
WARRANTY:***	Two (2) Years Parts & In-Home Labor. Earn an additional One (1) Year of Parts & In-Home Labor by registering on elica.com	

\* The product images shown are for illustration purposes only and may not be an exact representation of the product.

\*\*\* For valid warranty extension, register within 3 months from purchase. For USA & Canada Users Only.