

TECHNE SERIES
VARNA BLACK

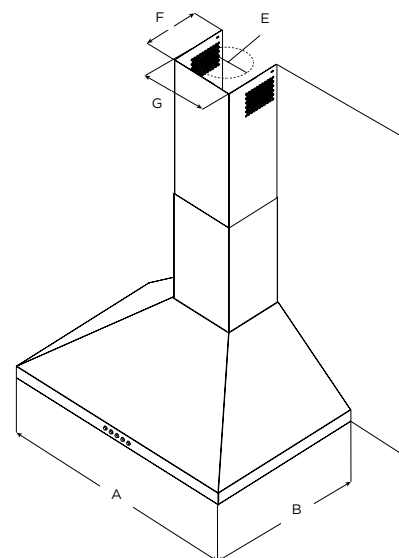


- CFM REDUCTION
- DIM LIGHT
- TOUCH CONTROL
- HUSH SYSTEM
- TOP PERFORMANCE
- LED LIGHT

ELICA'S EXCLUSIVE PLUS FEATURES

The clean lines, beautiful sloping angles and black stainless steel finish of Varna make a striking visual statement. Available in 30" or 36" width, Varna features include a powerful 600 CFM blower, LED dimmable lighting, dishwasher-safe stainless steel microhole filter, and easy to use glass capacitive touch controls that deliver convenience and safety.

Designed for standard ducted installation, Varna can also be installed with recirculating system using the kit available as an accessory.



	EVR630BL	EVR636BL
A	30" (76.2 cm)	36" (91.4 cm)
B	19 1/8" (50 cm)	
C*	Max: 42 1/8" (107 cm) Min: 28 3/8" (72 cm)	
D**	Max: 38 3/16" (97 cm) Min: 28 3/8" (72 cm)	
E	6" (15.24 cm)	
F	7 7/16" (18.3 cm)	
G	8 3/16" (20.8 cm)	



MOUNTING HEIGHT RANGE

- ≥27"
- ≥30"

* Ductless (Recirculating) version
 ** Ducted version

TECHNE SERIES
VARNA BLACK



SPECIFICATIONS

Width:	30" Unit	36" Unit
Model:	EVR630BL	EVR636BL
Dimensions:	30" W x 19 11/16" D x Min:28 3/8" Max: 42 1/8" H	36" W x 19 11/16" D x Min:28 3/8" Max: 42 1/8" H
Blower Type(internal):**	600 CFM(3-speed + Boost)	
Noise (sones):**	6.8 sones	
Finish:	Black Stainless Steel with black glass	
Controls:	Capacitive Touch (Glass)	
Illumination:	2 LED Premium Dimmable Lights, 2.1 W, 4000K	
Grease Filter:	2 Dishwasher Safe, Stainless Steel Microhole Filter	
Installation Type:	Ducted or Recirculating (Kit Sold Separately)	
Duct Transition:	Round 6" Top Discharge	
Telescopic Chimney:	Can reach ceiling heights of min 7'5", max 9'1" (ducted out) & min 7'5", max 9'6" (recirculating).	
Electrical:	120V - 60 Hz, 265 W	
KITS:		
Recirculating Kit	KIT02766 (Contains 6" Deflector and 2 Round Carbon Filter)	
Long Chimney Extension:	KIT0140998 (Can reach 8'5" - 11'3" (ducted), 8'6" - 11'7" (recirculating))	
WARRANTY:***	Two (2) Years Parts & In-Home Labor. Earn an additional One (1) Year of Parts & In-Home Labor by registering on elica.com.	

PLUS FEATURES



CFM REDUCTION - CFM Reduction System (CRS), is an exclusive feature to Elica hoods, which enables the user to reduce the maximum blower CFM, to meet local code requirements.



HUSH SYSTEM - An exclusive sound deadening technology that effectively reduces sound levels up to 35%, compared to typical range hoods.



DIM-LIGHT - The Dimmer allows you to adjust the brightness of the light as you wish. With Elica, lighting is customized in a discreet, personal and practical way, in order to contribute in creating the perfect kitchen atmosphere.



TOP PERFORMANCE - Excellent performance for models equipped with this plus. High fume capturing capacity with an average aspiration range of 600 CFM's. with low noise levels, 1.2 - 1.7 sones at working speed.



ELECTRONIC TOUCH CONTROLS - Enjoy the modern design and convenience of multi-function electronic touch controls, which are discreetly hidden behind sleek black glass, and will illuminate a soft blue when activated.



LED LIGHT - LED lighting is undoubtedly the smartest solution in terms of energy saving. Expected life is over 20,000 hours, and should last the full life of the hood.



Certified Ratings	High Speed	Working Speed	Duct Size
CFM	330	140	6" (Vertical)
Sones	5.5	0.5	6" (Vertical)

* The product images shown are for illustration purposes only and may not be an exact representation of the product.

** Blower performance indicates the performance of the blower by itself. Performance claims are not AHAM certified but were established in accordance with HVI Standardized test procedure. For Certified Ratings, please refer to AHAM Certified Product Directory. Electric Ratings are declared according to UL.

*** For valid warranty extension, register within 3 months from purchase. For USA & Canada Users Only.