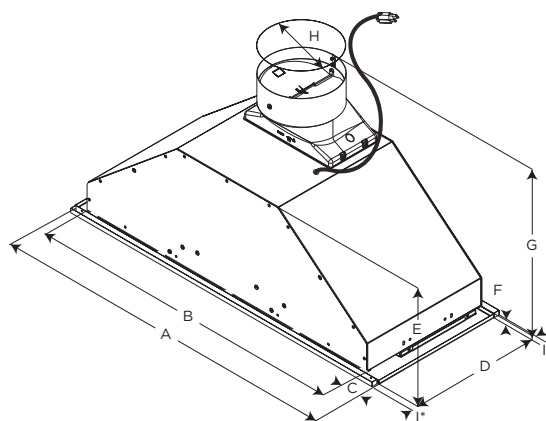


ELICA'S EXCLUSIVE PLUS FEATURES

Umbria with 28" and 34" width models available and 11 3/4" depth enables it to be discreetly installed within standard 12" deep cabinetry.

With Perimeter Aspiration technology that helps to achieve Top Performance by delivering more powerful and efficient fume extraction, plus it reduces noise.

Umbria is designed for both ducted out or recirculating installation with available kit.



MOUNTING HEIGHT RANGE




	EUM628SS	EUM634SS
A	28 1/4" (71.8 cm)	34 1/8" (86.7 cm)
B	26" (66 cm)	
C	1 1/8" (2.9 cm)	4 1/16" (10.3 cm)
D	10 3/4" (27.3 cm)	
E	10 11/16" (27.2 cm)	
F	0 5/16" (.85 cm)	0 3/8" (.95 cm)
G	15 3/4" (40 cm)	
H	6" (15.2 cm)	
I*	1/2" (1.27 cm)	


# UMBRIA


## SPECIFICATIONS


Width:	28" UNIT	34" UNIT
Model:	EUM628SS	EUM634SS
Dimensions:	28 1/4"W x 10 3/4"D x 14 9/16" H	34 1/4"W x 10 3/4"D x 14 9/16" H
Blower Type(internal):**	600 CFM, 3-Speed Internal	
Noise (sones):**	6.8 Sones	
Finish:	Stainless Steel	
Controls:	Stainless Steel Push Buttons	
Illumination:	2 LED, 2.1 W, 4000 Kelvin	
Grease Filter:	Dishwasher-Safe, Anodized Aluminum, Mesh Filter + Perimeter Aspiration	
Installation Type:	Ducted or Recirculating (Kit sold separately)	
Duct Transition:	6" Round with Back Draft Damper (top)	
Electrical:	120V-60Hz, 455 W	
KITS:		
Recirculating Kit:	KIT02770 (Contains 2 Round Carbon Filters and cabinet grate)	
CFM Reduction Kit:	KIT02748 (Achieves <300 CFM)	
Optional 30" Hood Liner:	KIT02773 (29" W x 17 1/2" - 20 1/2"D x 4"H)	Not applicable
Optional 36" Hood Liner:	KIT02774 (35" W x 17 1/2" - 20 1/2"D x 4"H)	Not applicable
Electronic CFM Reduction Bypass Kit:	KIT0175561	
WARRANTY:***	Two (2) Years Parts & In-Home Labor. Earn an additional One (1) Year of Parts & In-Home Labor by registering on elica.com.	

## PLUS FEATURES

 **HUSH SYSTEM** - An exclusive sound deadening technology that effectively reduces sound levels by over 35%

 **LED LIGHT** - LED lighting is undoubtedly the smartest solution in terms of energy saving. Expected life is over 20,000 hours, and should last the full life of the hood.

 **TOP PERFORMANCE** - Excellent performance for models equipped with this plus. High fume capturing capacity with an average aspiration range 600 CFM's with low noise levels, 1.2 -1.7 sones at working speed.

 **PERIMETER ASPIRATION** - This technology draws air through a narrowed channel around a face plate, which increases suction, without increasing blower sound or energy consumption.

\* The product images shown are for illustration purposes only and may not be an exact representation of the product.

\*\* Blower performance indicates the performance of the blower by itself. Performance claims are not AHAM certified but were established in accordance with HVI Standardized test procedure. For Certified Ratings, please refer to AHAM Certified Product Directory. Electric Ratings are declared according to UL.

\*\*\* For valid warranty extension, register within 3 months from purchase. For USA & Canada Users Only.