



DIM LIGHT



SMART
INSTALLATION



TUNE WHITE



TOP
PERFORMANCE



REMOTE
CONTROL



LONG LIFE
FILTER



EASY
INSTALLATION



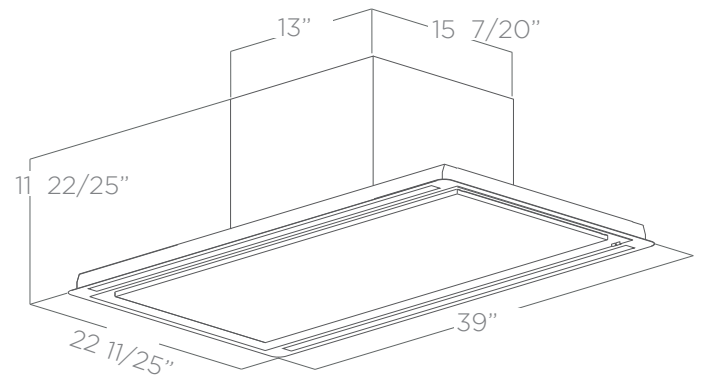
TOTAL
INTEGRATION



SUPER EASY
INSTALLATION

ELICA'S EXCLUSIVE
PLUS FEATURES

EHL640WH | EHL640SS

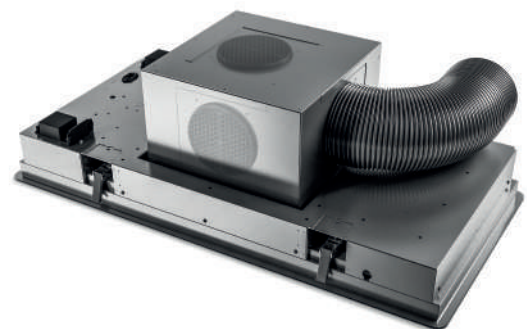


FALSE CEILING CUT: 21 13/20" x 38 1/2"

Characterized by essential lines, Hilight totally fits the kitchen architectural style with a perfectly flush installation, leaving the space above the cooktop completely free and without view obstructions.

Comfort in the kitchen is guaranteed by the powerful and silent suction heart concealed in the ceiling combined with the adaptable light intensity that create the right environment in every moment.

All maintenance operations can be carried on opening the side panel without any effort, and in this way, the hood can be easily preserved clean and fully functional.



***FLEXIBLE INSTALL**

Blower offers 5 possible exit directions, allowing you to decide on which side to attach the air outlet duct.

SPECIFICATIONS



	39" UNIT	39" UNIT
Model:	EHL640WH	EHL640SS
Dimensions:	39 3/8" x 22 11/25"	
Blower Type (internal):	600 CFM	
Blower Performance:		
Speed 1	215 CFM	
Speed 2	345 CFM	
Speed 3	485 CFM	
Boost	540 CFM	
Noise (sones): At working speed	2.1	
Finish:	White Glass with Metal white frame	Stainless Steel
Controls:	3S + 1B Remote Control	
Illumination:	Strip LED 2 x 14 W	
Filter type:	Grease aluminum filter	
Duct transition:	2"	
Installation type:	Duct Out	
Electrical:	120v 60 Hz	
KITS:		
Recirculating Kit:	KIT0167875	

*The product images shown are for illustration purposes only and may not be an exact representation of the product.

PLUS FEATURES



DIM-LIGHT- The Dimmer allows you to adjust the brightness of the light as you wish. With Elica, lighting is customized in a discreet, personal and practical way, in order to contribute in creating the perfect kitchen atmosphere.



TUNE WHITE - The ability to choose the preferred shade of white always creates the right atmosphere. The Kelvin degrees regulation starts from a very warm tone, 2400°K, to experience intimate and convivial moments, up to a cold colour, 5000°K.



REMOTE CONTROL - Elica's ADA compliant Remote Control, provides added convenience to the typical user, as well as, full function access for those with limited mobility.



EASY INSTALLATION - Installation of the hood is easier, through an adjustment of the appliance alignment between cabinets.



SUPER EASY INSTALLATION -With the exclusive Elica system, installation can be done in total safety in just a few steps, safeguarding the look of the product and the space in which it is positioned.



SMART INSTALLATION - Elica thinks of every aspect of the product, taking into great consideration even the installation phase of a hood, be it wall-mounted or recessed, or an aspiration hob. Assembly and connection operations are simple and intuitive.



TOP PERFORMANCE - Excellent performance for models equipped with this plus. High fume capturing capacity with an average aspiration range of 600 CFM's. with low noise levels, 1.2 - 1.7 sones at working speed.



LONG LIFE FILTER - One of a kind odour filter, capable of regenerating itself and of lasting up to 3 years. To maintain these characteristics, the filter only requires simple maintenance: wash every 2 or 3 months with hot water and mild soap (also in dishwasher at 65 degrees) and dry in the oven for ten minutes at 100 degrees.



TOTAL INTEGRATION - The Total Integration products have been designed to be seamlessly integrated into the kitchen whilst maintaining harmony with the surroundings.